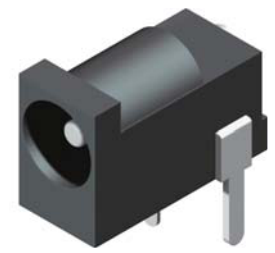
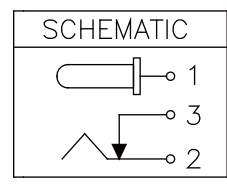
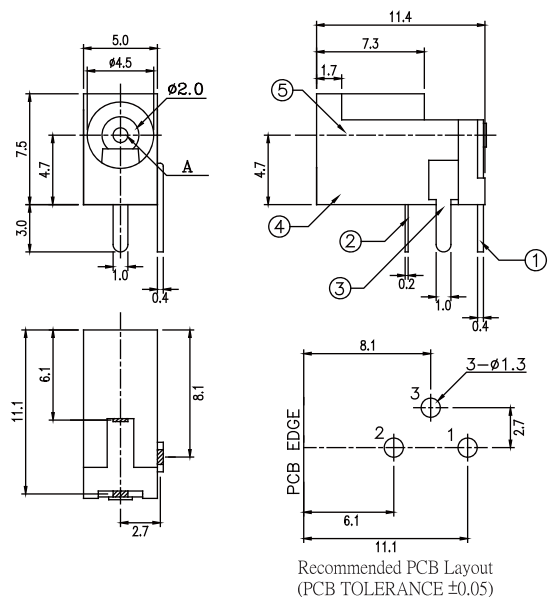


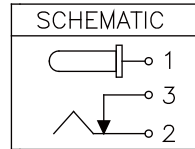
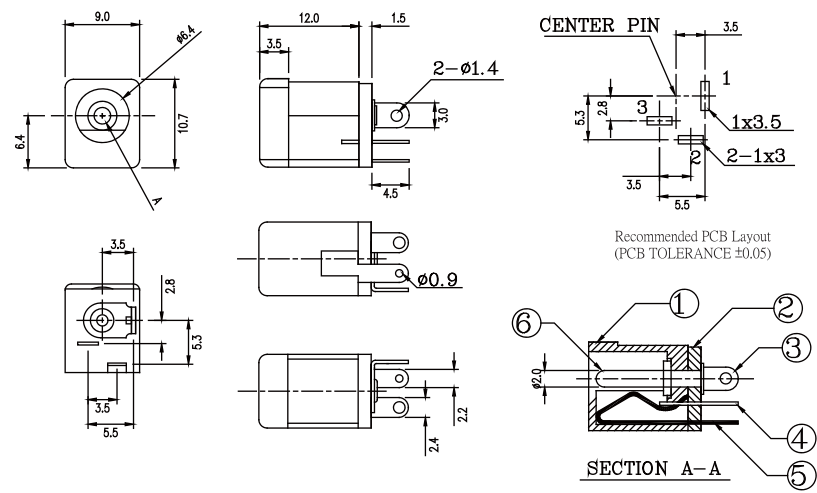


**DC Jack Conn.**



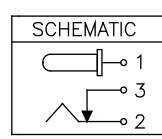
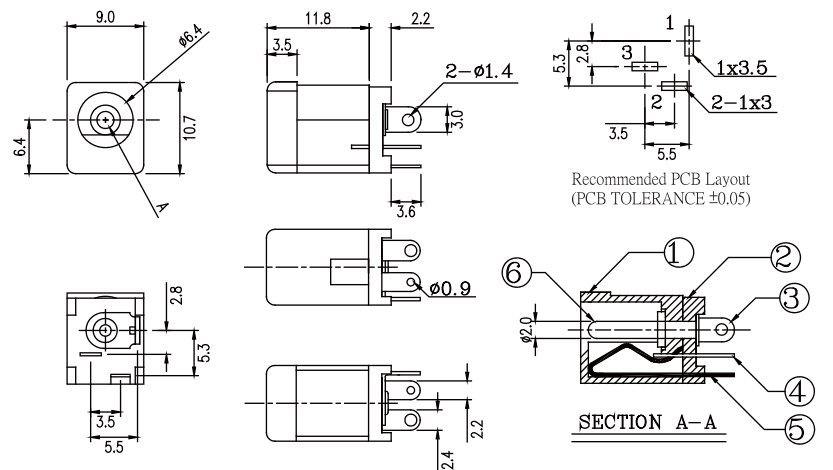
NO.	NAME	MATERIAL	FINISH	Q'TY
1	PIN TERM.	BRASS	TIN PLATED	1
2	SLEEVE TERM.	P.B.S	TIN PALTED	1
3	BREAK TERM.	BRASS	TIN PLATED	1
4	HOUSING	P.B.T	BALCK	1
5	CENTER PIN	BRASS	NICKEL PLATED	1

**Part No.:DCJ**   **-0011TB-L**  
 10:ø1.0  
 13:ø1.3



NO.	NAME	MATERIAL	FINISH	Q'TY
1	HOUSING	P.B.T	BLACK	1
2	COVER	BAKELITE	BLACK	1
3	PIN TERM.	BRASS 0.4THK	TIN PLATED	1
4	BREAK TERM.	BRASS 0.3THK	TIN PLATED	1
5	BREAK TERM.	PHOS. BORNZE T:0.25	TIN PLATED	1
6	CENTER PIN	COPPER ALLOY	TIN PLATED	1

**Part No.:DCJ**   **-0013TB-L**  
 20:ø2.0  
 25:ø2.5



NO.	NAME	MATERIAL	FINISH	Q'TY
1	HOUSING	P.B.T	BLACK	1
2	COVER	BAKELITE	BLACK	1
3	PIN TERM.	BRASS 0.4THK	TIN PLATED	1
4	BREAK TERM.	BRASS 0.3THK	TIN PLATED	1
5	BREAK TERM.	PHOS. BORNZE T:0.25	TIN PLATED	1
6	CENTER PIN	COPPER ALLOY	TIN PLATED	1

**Part No.:DCJ**   **D-0013TB-L**  
 20:ø2.0  
 25:ø2.5