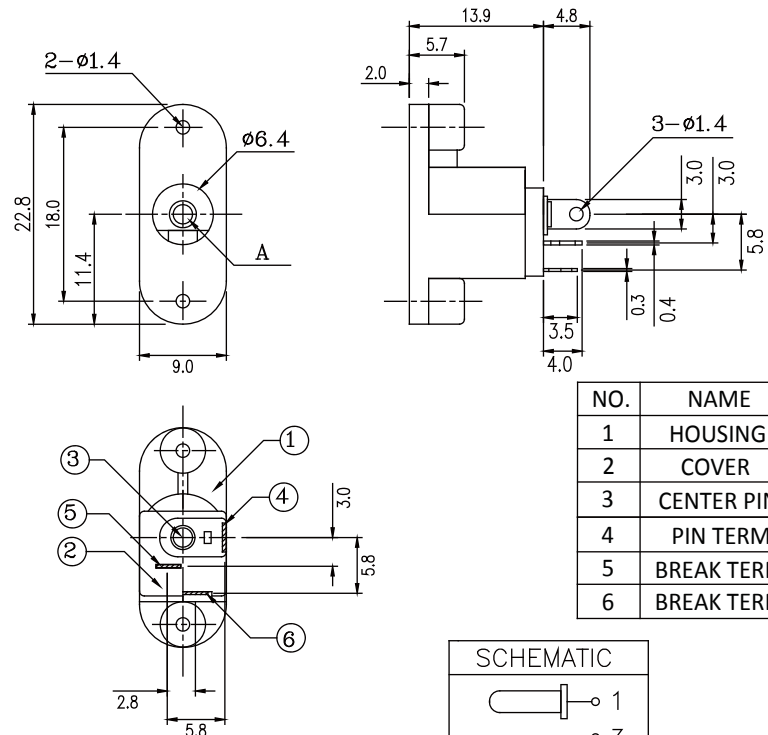
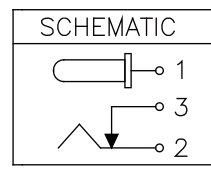




DC Jack Conn.

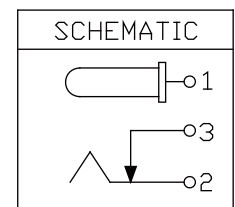
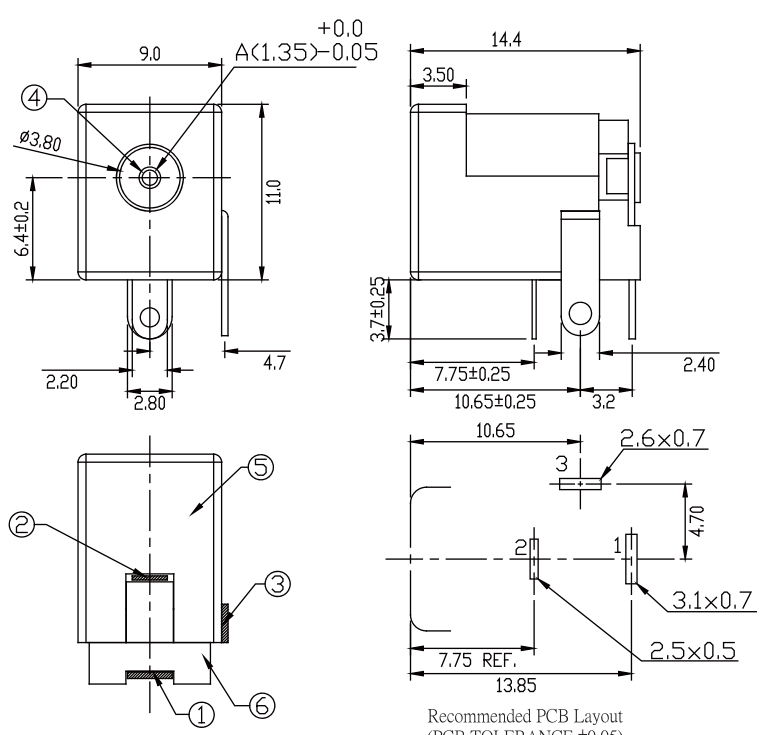


NO.	NAME	MATERIAL	FINISH	Q'TY
1	HOUSING	P.B.T	BALCK	1
2	COVER	BAKELITE	BALCK	1
3	CENTER PIN	COPPER ALLOY	NICKEL PLATED	1
4	PIN TERM.	BRASS 0.4THK	TIN PLATED	1
5	BREAK TERM.	BRASS 0.4THK	TIN PLATED	1
6	BREAK TERM.	PHOS. BRONZE	TIN PALTED	1



Recommended PCB Layout
(PCB TOLERANCE ±0.05)

Part No.:DCJ□□D-0016TB-L
 20:∅2.0
 25:∅2.5



Recommended PCB Layout
(PCB TOLERANCE ±0.05)

NO.	NAME	MATERIAL	FINISH	Q'TY
1	PIN TERM.	BRASS 0.40	TIN PLATED	1
2	SLEEVE TERM.	PHOS. BRONZE 0.25	TIN PALTED	1
3	BREAK TERM.	BRASS 0.40	TIN PLATED	1
4	CENTER PIN	BRASS ∅1.35	NICKEL PLATED	1
5	HOUSING	P.B.T G.F	BALCK	1
6	COVER	P.B.T G.F	BALCK	1

Part No.:DCJ135-0023TB-L
 135:∅1.35