



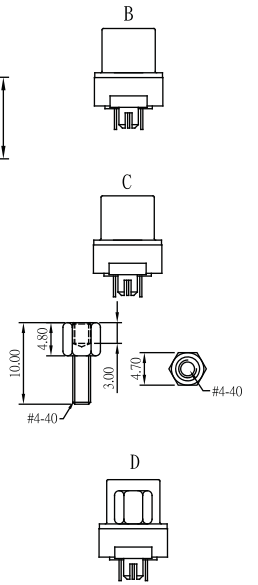
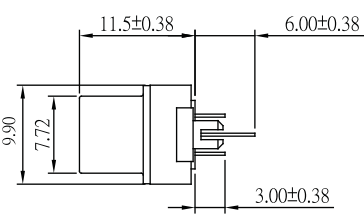
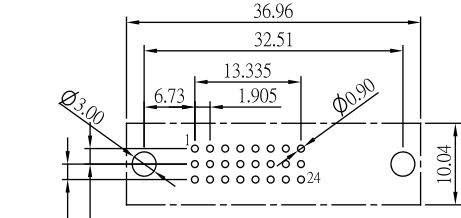
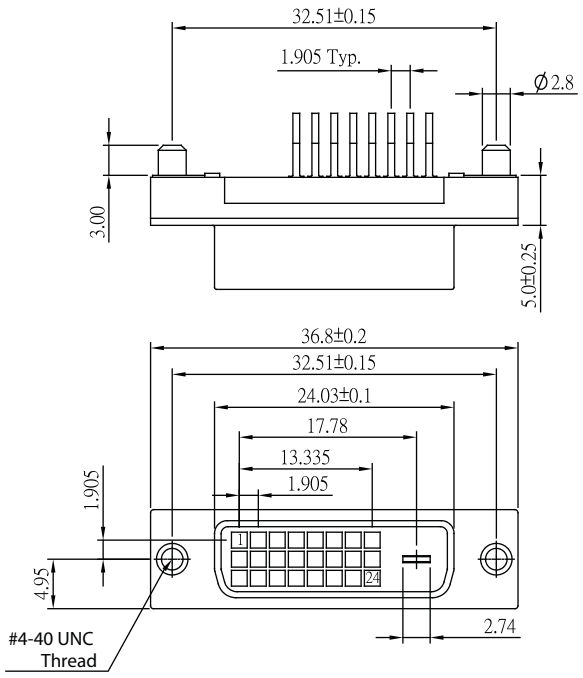
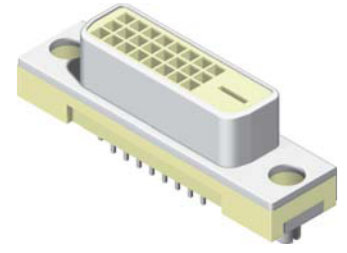
## DVI Female Solder Type 24Pin

### Specifications

Current Rate:1 AMP  
 Insulation Resistance:1000M? Min.  
 Contact Resistance:30m? Max.  
 Dielectric Voltage:250V AC for one minute  
 Operation Temperature:-55°C to +85°C

### Material

Insulator:Polyester,UL 94V-0  
 Standard:Nylon 66  
 Terminal:Copper Alloy  
 Plated:Selective Plated



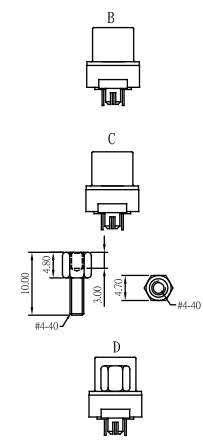
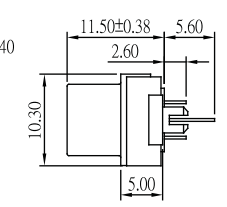
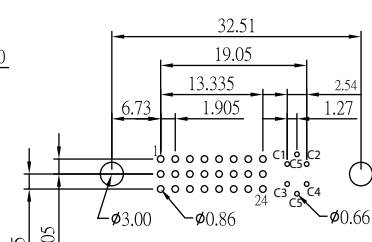
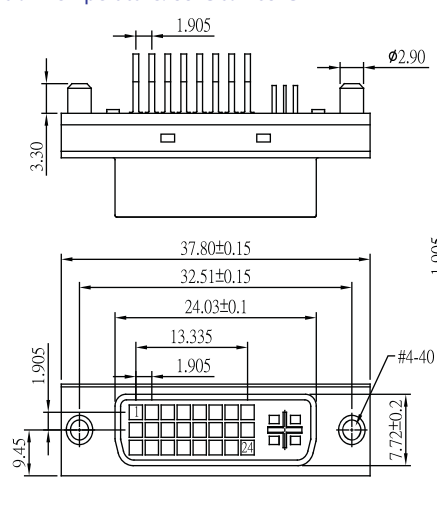
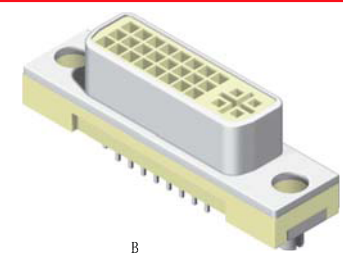
## DVI Female Solder Type 29Pin

### Specifications

Current Rate:1 AMP  
 Insulation Resistance:1000M? Min.  
 Contact Resistance:30m? Max.  
 Dielectric Voltage:250V AC for one minute  
 Operation Temperature:-55°C to +85°C

### Material

Insulator:Polyester,UL 94V-0  
 Standard:Nylon 66  
 Terminal:Copper Alloy  
 Plated:Selective Plated



## ORDER INFORMATION

