



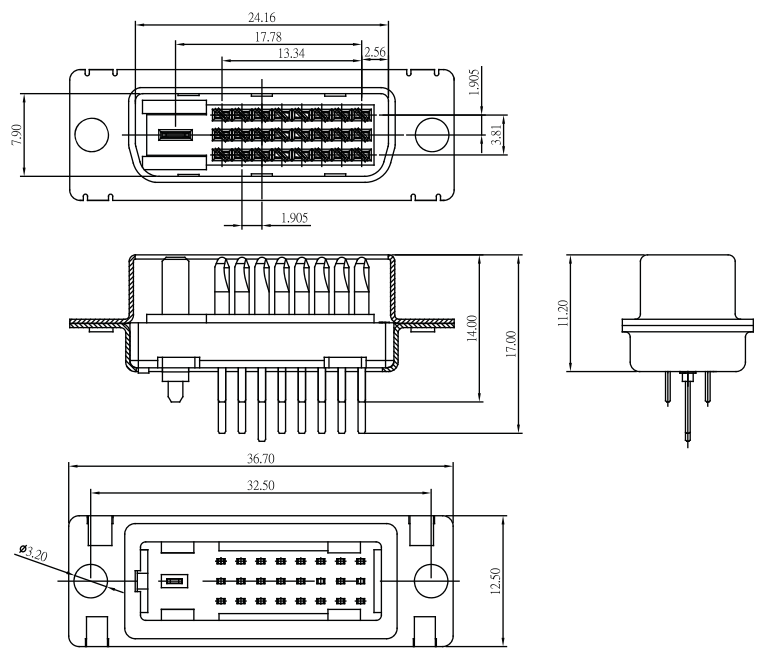
DVI Male Solder Type 24Pin

Specifications

Current Rate:1 AMP
 Insulation Resistance:1000M? Min.
 Contact Resistance:30m? Max.
 Dielectric Voltage:250V AC for one minute
 Operation Temperature:-55°C to +85°C

Material

Insulator:Polyester,UL 94V-0
 © Standard:PBT
 Terminal:Copper Alloy
 Plated:Selective Plated



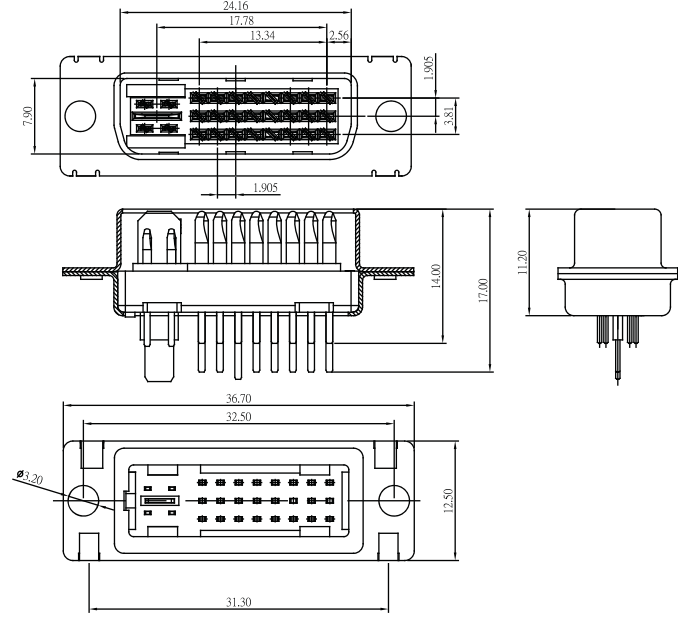
DVI Male Solder Type 29Pin

Specifications

Current Rate:1 AMP
 Insulation Resistance:1000M? Min.
 Contact Resistance:30m? Max.
 Dielectric Voltage:250V AC for one minute
 Operation Temperature:-55°C to +85°C

Material

Insulator:Polyester,UL 94V-0
 © Standard:PBT
 Terminal:Copper Alloy
 Plated:Selective Plated



ORDER INFORMATION

