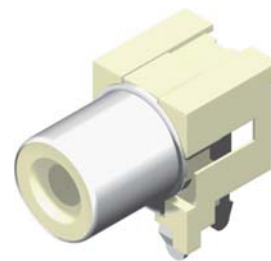
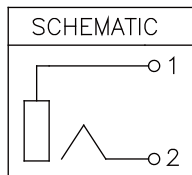
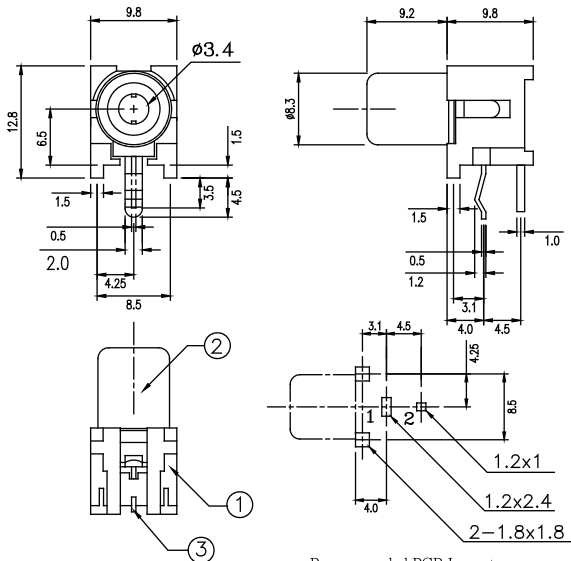




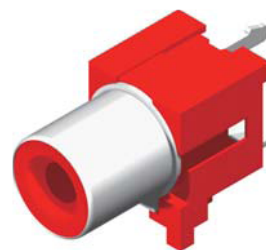
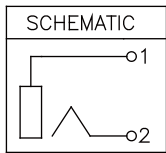
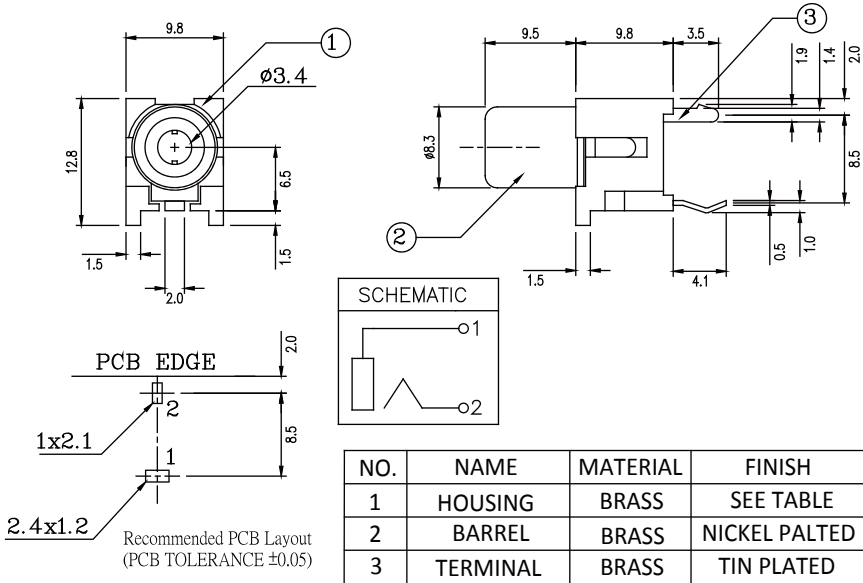
RCA Jack Conn.



NO.	NAME	MATERIAL	FINISH
1	HOUSING	P.B.T	R, Y, W, B
2	BARREL	BRASS	NICKEL PALTED
3	TERMINAL	BRASS	TIN PLATED

Part No.:RCA-1515-1A-L

Recommended PCB Layout  
(PCB TOLERANCE ±0.05)

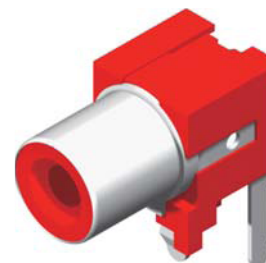
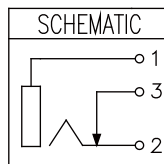
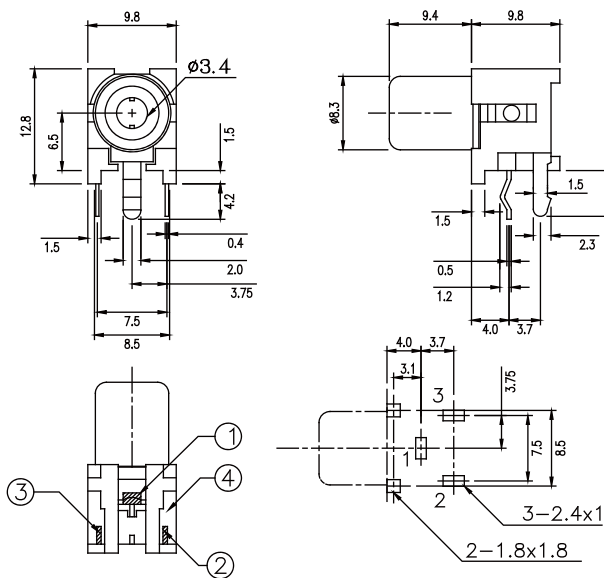


Table

Part No.	COLOR FOR HOUSING
RCA-1515-1BB-L	BLACK
RCA-1515-1BY-L	YELLOW
RCA-1515-1BR-L	RED
RCA-1515-1BW-L	WHITE
RCA-1515-1BU-L	BLUE
RCA-1515-1BG-L	GREEN

Part No.:RCA-1515-1B-L

See Table



NO.	NAME	MATERIAL	FINISH
1	BARREL	BRASS	NICKEL PALTED
2	SPRING TERM.	PHOS. BRONZE	TIN PLATED
3	BREAK TERM.	BRASS	TIN PLATED
4	INSULATOR	P.B.T	W, R, Y, B

Part No.:RCA-2016-L

Recommended PCB Layout  
(PCB TOLERANCE ±0.05)