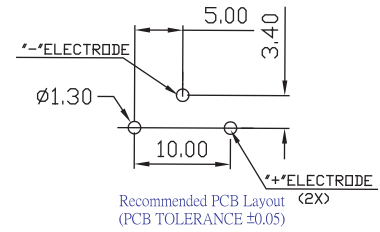
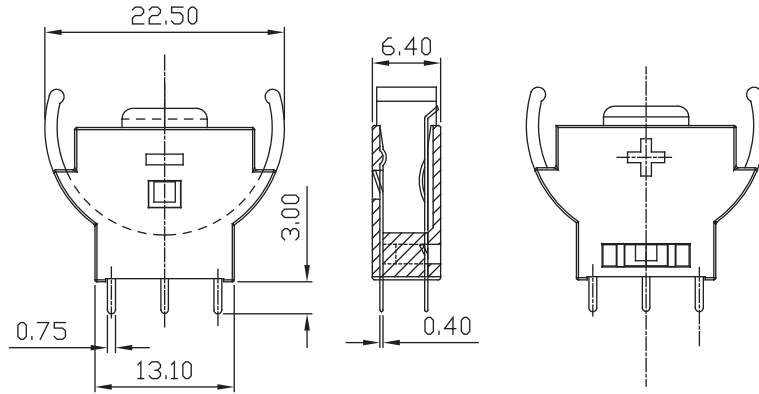




Battery Holder Conn. Coin Type

Material

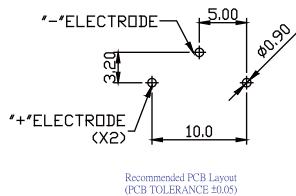
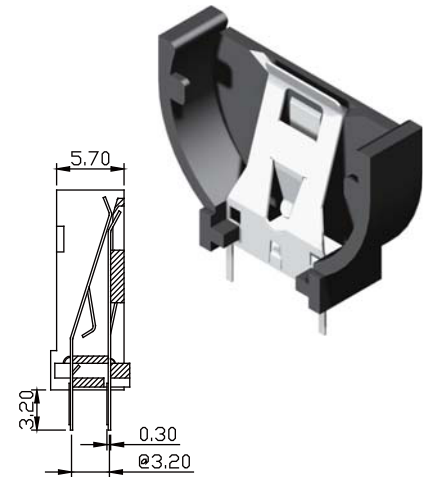
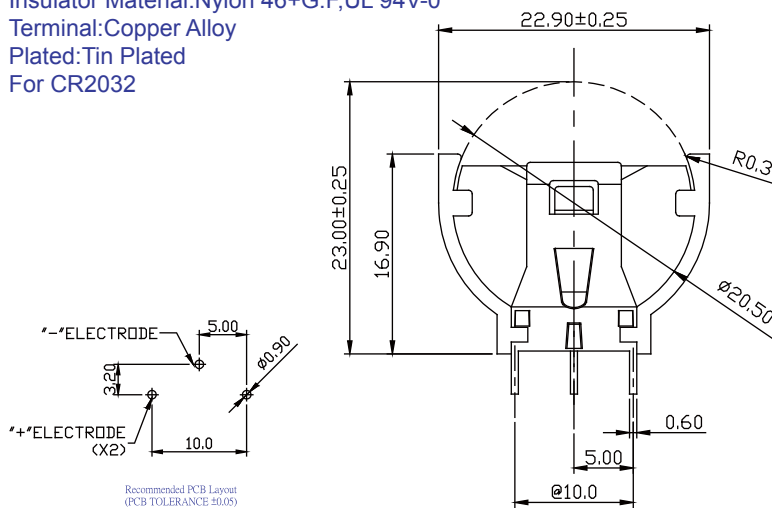
Insulator Material:Nylon 46,UL 94V-0
 Terminal:Copper Alloy
 Plated:Tin Plated
 For CR2032



Part No.:BTV-2032TB-U

Material

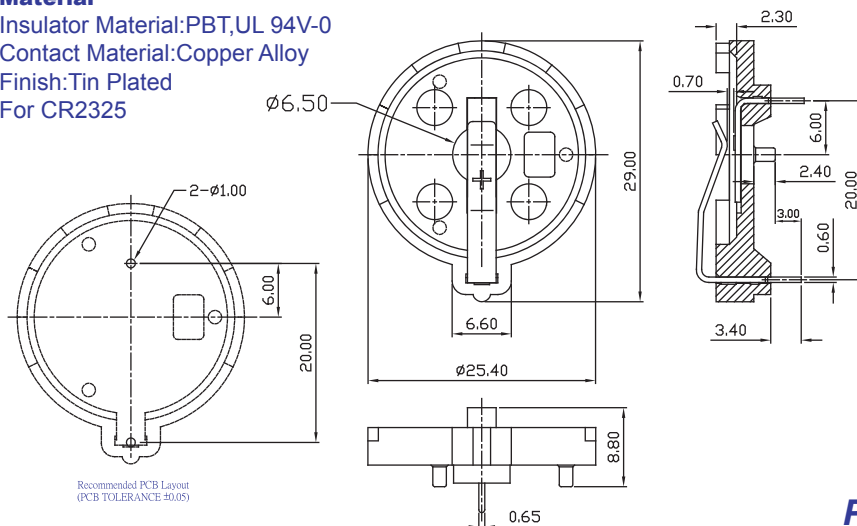
Insulator Material:Nylon 46+G.F,UL 94V-0
 Terminal:Copper Alloy
 Plated:Tin Plated
 For CR2032



Part No.:BTVA-2032TB-U

Material

Insulator Material:PBT,UL 94V-0
 Contact Material:Copper Alloy
 Finish:Tin Plated
 For CR2325



Recommended PCB Layout
 (PCB TOLERANCE ±0.05)

Part No.:BTD-2325TB-L