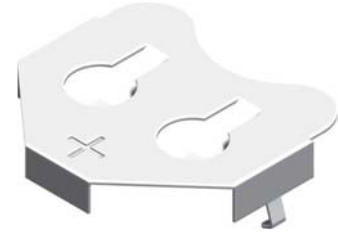
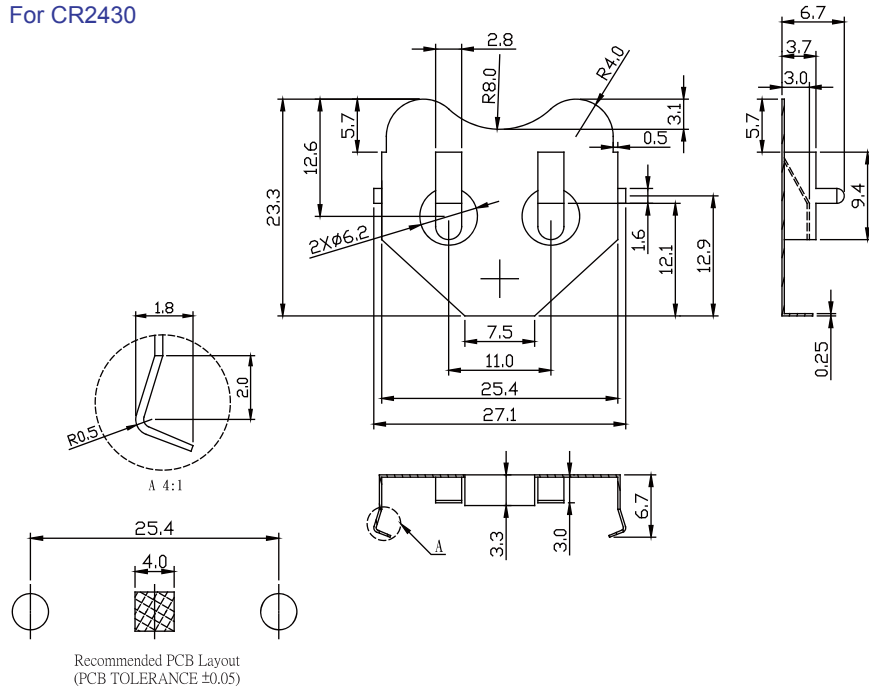




Battery Holder Conn. Coin / Clips Type

Material

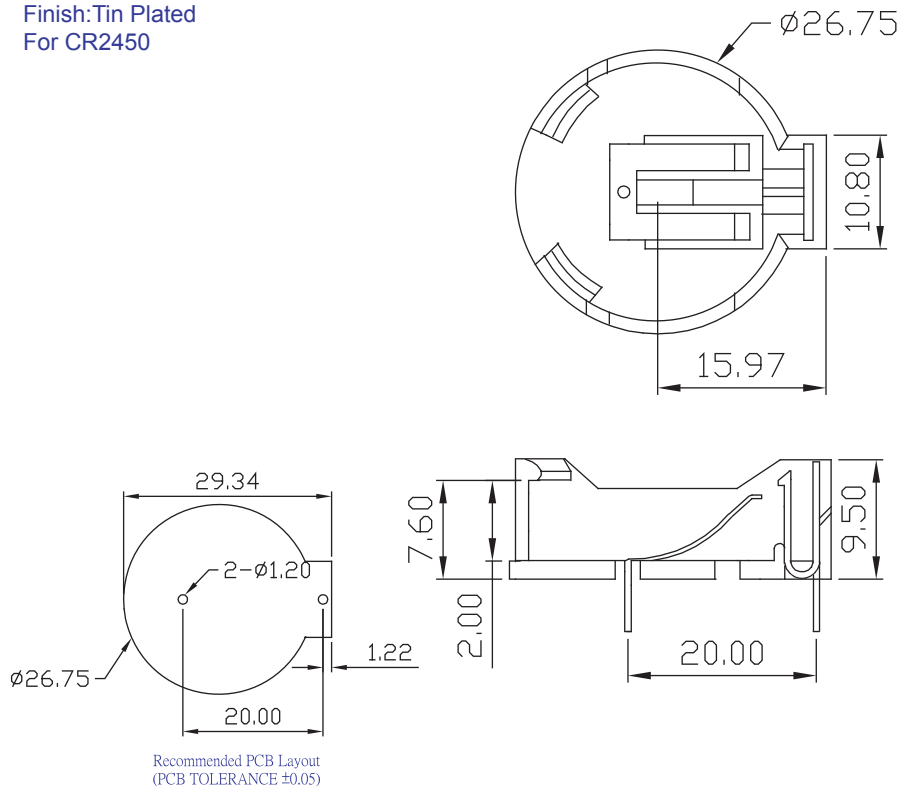
Material:0.25mm Copper Alloy
 Plated:Nickel Plated
 For CR2430



Part No.:BTKM-2430N-L

Material

Insulator Material:Nylon 46,UL 94V-0
 Contact Material:Copper Alloy
 Finish:Tin Plated
 For CR2450



Part No.:BTD-2450TB-U