

ORDER INFORMATION:

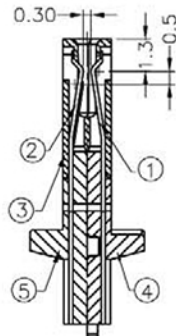
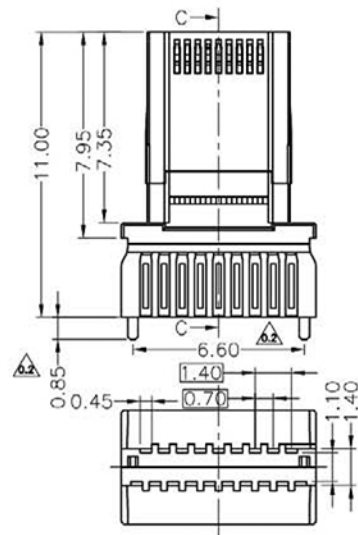
P/N CHDM4-19MGxxB
1 2

1. SHELL FINISH:

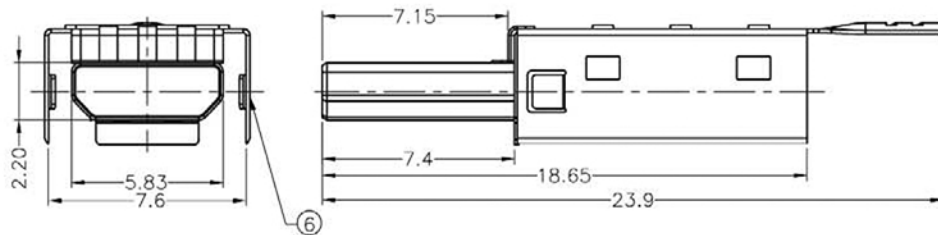
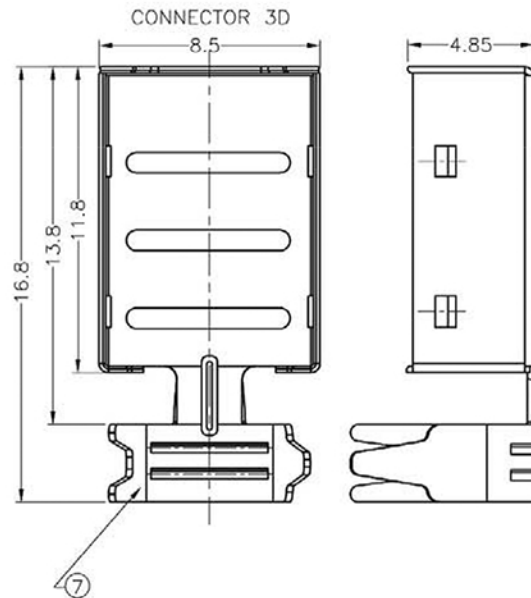
“G” GOLD PLATED FRONT
SHELL & NICKEL PLATED
BACK SHELL

2. CONTACT FINISH:

“15” 15 MICROINCH GOLD
“30” 30 MICROINCH GOLD



SEC C-C
SCALE 1:1



⑦	BACK SHELL	1	SPCC	
⑥	FRONT SHELL	1	SUS304-H/2	
⑤	BOTTOM COVER	1	LCP	
④	TOP COVER	1	LCP	
③	HOUSING	1	LCP	UL94V-0
②	10P CONTACT	1	COPPER ALLOY	GOLD, OR NICKEL PLATING
①	9P CONTACT	1	COPPER ALLOY	Cu ALL OVER.PLATED OVER NICKEL
ITEM	PART NAME	Q'TY/EA	MATETIALS	NOTE

DIMENSIONS ARE IN MILLIMETERS

Ratioplast Electronics

RoHS COMPLIANT

TOLERANCE UNLESS OTHERWISE SPECIFIED

PART NO. CHDM4-19MGxxB

TITLE: MICRO HDMI D TYPE PLUG SOLDER TYPE
WITH GOLD PLATED FRONT SHELL FOR
CABLE OD=4.0 – 5.0MM

LINEAR 0.0±0.25
0.00±0.15

DATE November / 20 / 2013

ANGLES ± 3

NOT SCALED DRAWING

DRAWING NO. CHDM4-19MGxxB