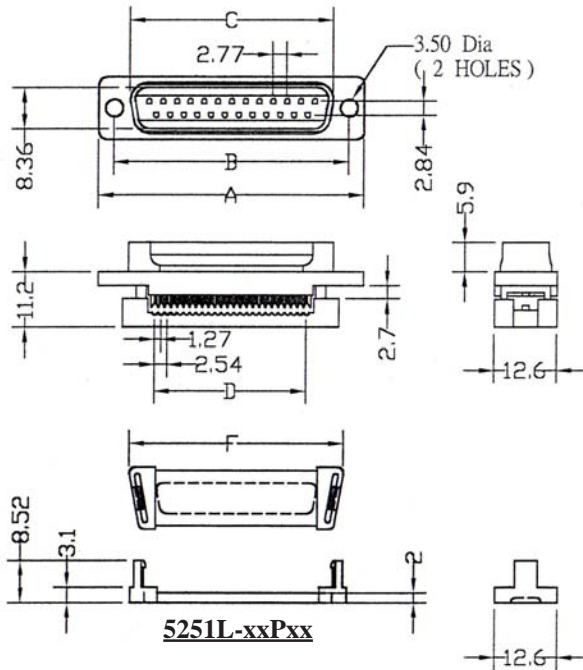
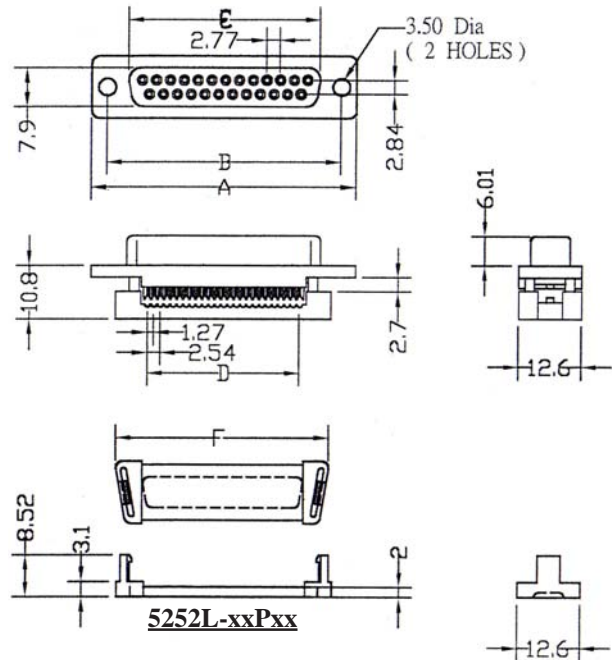


LOW PROFILE D-SUB. CONNECTOR ALL PLASTIC I.D.C. TYPE



5251L-xxPxx

No. of Contacts	Dimensions(mm)					
	A	B	C	D	E	F
09	30.89	24.99	16.92	10.16	16.33	21.78
15	39.14	33.32	25.25	17.78	24.66	29.62
25	53.09	47.04	38.96	30.48	38.38	43.35
37	69.39	63.50	55.45	45.72	54.84	59.92



5252L-xxPxx

SPECIFICATIONS

Current Rating: 3A

Contact Resistance: 25mΩ Max.

Insulation Resistance: 1000MΩ Min. at 500V

Dielectric Voltage: 1000V at 1 Minute

Operating Temperature: -55°C to +105°C

MATERIALS

Insulator: PBT, UL94V-0 Rated

Contact: Brass

Shell: Brass, Steel

Contact Plating: Gold Over Nickel Plated

Shell Plating: Tin Over Copper Plated

***RoHS & REACH compliant.**

ORDERING INFORMATION:

P/N 5 2 $\frac{xx}{1}$ L - $\frac{xx}{2}$ P $\frac{xx}{3}$ $\frac{xx}{4}$

1. CONNECTOR TYPE:

"51" MALE
"52" FEMALE

2. NO. OF CONTACTS:

09, 15, 25, 37

3. INSULATOR COLOR:

"B" BLACK (STANDARD)
"U" BLUE (STANDARD)
"A" GRAY (OPTIONAL)
"N" DARK GREEN (OPTIONAL)
"R" DARK RED (OPTIONAL)

4. MOUNTING TYPE:

"0" Ø3.50MM THROUGH HOLES