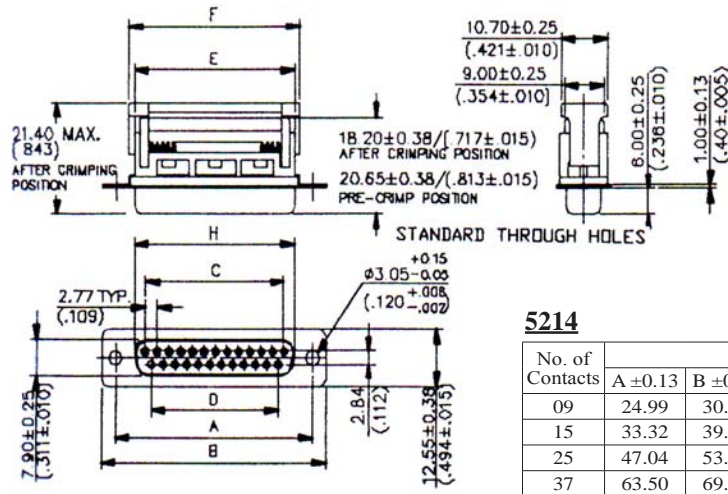
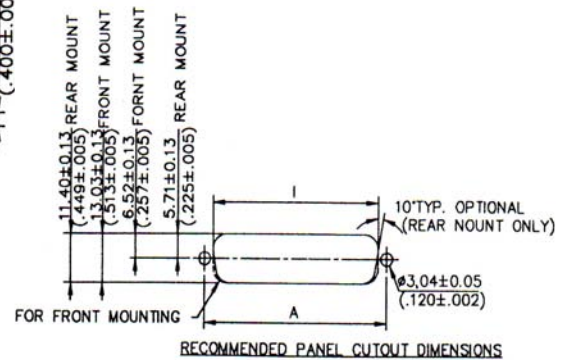
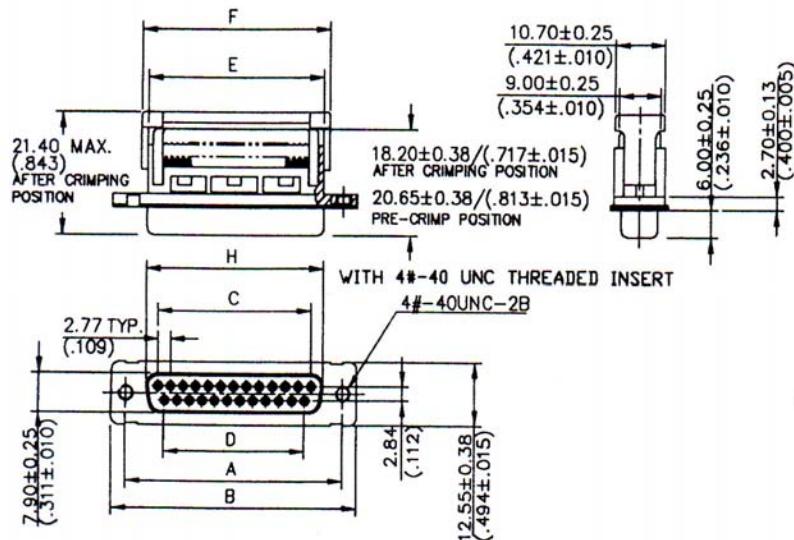


## D-SUB. FEMALE CONNECTOR WITH METAL SHELL I.D.C. TYPE



### 5214

No. of Contacts	Dimensions(mm)								
	A ±0.13	B ±0.25	C ±0.13	D ±0.13	E ±0.25	F ±0.25	H ±0.25	I ±0.13	J ±0.13
09	24.99	30.80	11.08	8.31	16.10	18.60	16.33	20.47	22.20
15	33.32	39.10	33.24	16.62	24.00	26.60	24.66	42.52	30.53
25	47.04	53.09	19.39	30.47	38.14	40.90	38.38	28.80	44.27
37	63.50	69.40	11.08	47.09	54.60	57.10	54.84	20.47	60.73



## ORDERING INFORMATION:

P/N 5214 -  $\frac{\text{X X X X X}}{\text{1 2 3 4}}$

- NO. OF CONTACTS:  
09, 15, 25, 37
- HOUSING CONSTRUCTION TYPE:  
"C" STANDARD THROUGH HOLES  
"D" UNC4-40 THREADED INSERTS
- STRAIN RELIEF TYPE:  
"P" PLASTIC STRAIN RELIEF  
"S" STEEL STRAIN RELIEF
- HOUSING COLOR:  
" " BLUE(STANDARD)  
"B" BLACK