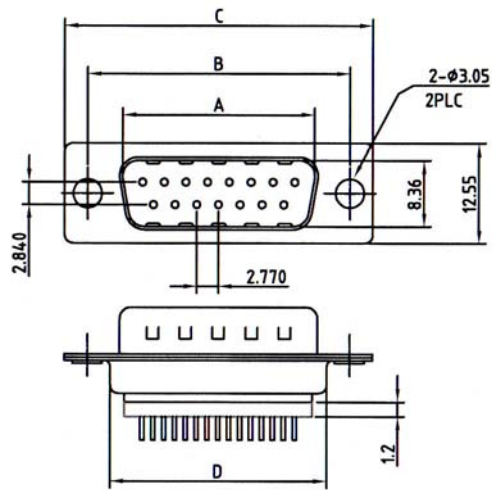
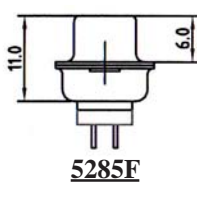


## D-SUB. CONNECTOR WITH STAMPED CONTACTS STRAIGHT PCB TYPE WITH FERRITE (EMI)



No. of Contacts	Dimensions(mm)			
	A	B	C	D
09	16.92	24.99	30.81	19.23
15	25.25	33.32	39.14	27.56
25	38.96	47.04	53.04	41.28
37	55.42	63.50	69.32	57.33

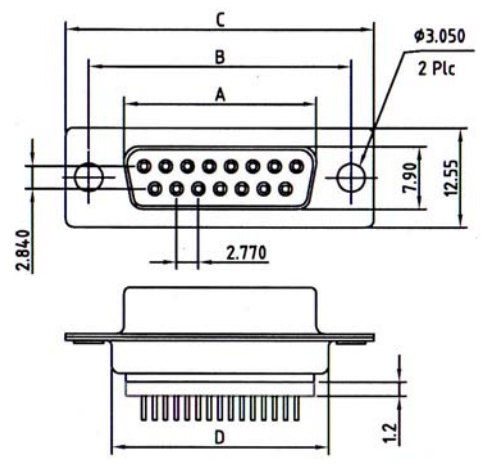


### SPECIFICATIONS

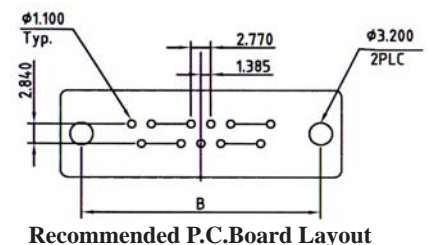
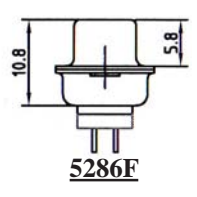
**Current Rating:** 3A  
**Contact Resistance:** 25mΩ Max.  
**Insulation Resistance:** 1000MΩ Min. at 500V  
**Dielectric Voltage:** 1000V at 1 Minute  
**Operating Temperature:** -55°C to +105°C

### MATERIALS

**Insulator:** PBT, UL94V-0 Rated  
**Contact:** Brass  
**Shell:** Brass, Steel  
**Contact Plating:** Gold Over Nickel Plated  
**Shell Plating:** Tin Over Copper Plated  
 \*RoHS & REACH compliant.



No. of Contacts	Dimensions(mm)			
	A	B	C	D
09	16.33	24.99	30.81	19.23
15	24.66	33.32	39.14	27.56
25	38.38	47.04	53.04	41.28
37	54.84	63.50	69.32	57.33



Recommended P.C.Board Layout

K3	K	K6	J	JT	J4T	BR	BRJ
#Open 4#-40Unc	#Open 4#-40Unc	#Open 4#-40Unc	Close 4#-40Unc	Open 4#-40Unc	Open 4#-40Unc	4#-40Unc 6.1	5.3Ref 6.1

### ORDERING INFORMATION:

P/N 5 2 1 2 3 F - 1 2 T B / 1 2 3

- CONNECTOR TYPE:  
 "85" MALE  
 "86" FEMALE
- NO. OF CONTACTS:  
 09, 15, 25, 37, 50
- MOUNTING OPTION:  
 " " Ø3.05MM THROUGH HOLES  
 OTHERS: K, K3, K6, J, JT, J4T, BR, BRJ