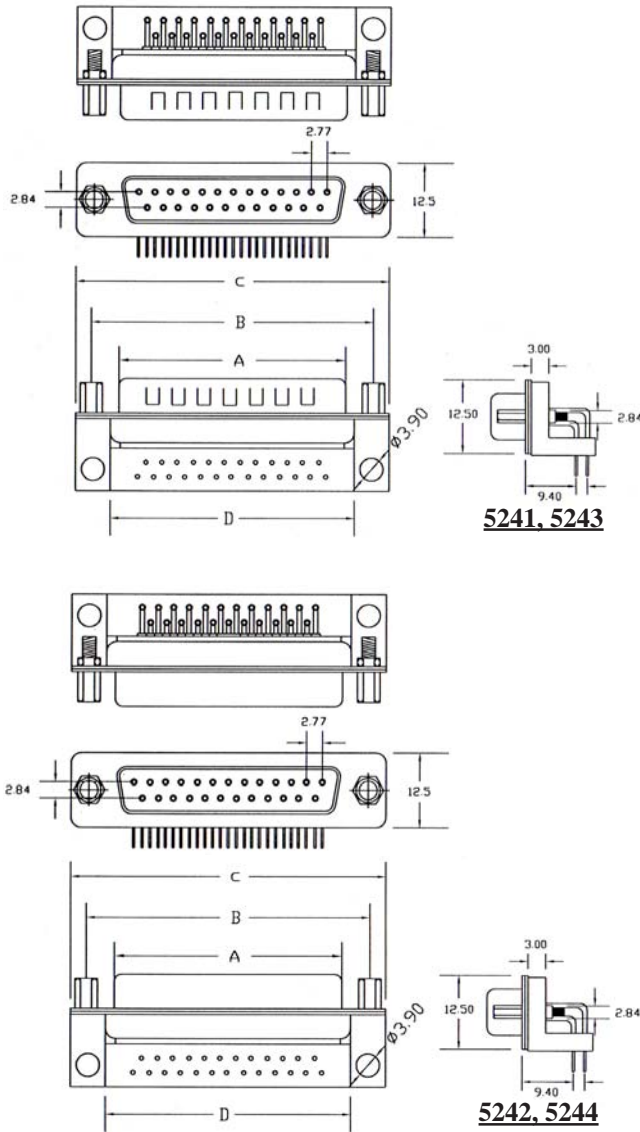


## D-SUB. RIGHT ANGLE CONNECTOR WITH MACHINED PINS & PLASTIC BRACKET



### SPECIFICATIONS

**Current Rating:** 5A

**Contact Resistance:** 25mΩ Max.

**Insulation Resistance:** 1000MΩ Min. at 500V

**Dielectric Voltage:** 1000V at 1 Minute

**Operating Temperature:** -55°C to +105°C

### MATERIALS

**Insulator:** PBT, UL94V-0 Rated

**Contact:** Brass

**Shell:** Brass, Steel

**Contact Plating:** Gold Over Nickel Plated

**Shell Plating:** Tin Over Copper Plated

**\*RoHS & REACH compliant.**

### 5241, 5243

No. of Contacts	Dimensions(mm)			
	A	B	C	D
09	16.92	24.99	30.81	18.20
15	25.25	33.32	39.14	26.30
25	38.96	47.04	53.04	40.30
37	55.42	63.50	69.32	56.50

### 5242, 5244

No. of Contacts	Dimensions(mm)			
	A	B	C	D
09	16.33	24.99	30.81	18.20
15	24.66	33.32	39.14	26.30
25	38.38	47.04	53.04	40.30
37	54.84	63.50	69.32	56.50

### ORDERING INFORMATION:

P/N 5 2  $\frac{XX}{1}$  -  $\frac{XX}{2}$   $\frac{T}{3}$   $\frac{W}{4}$  /  $\frac{XX}{5}$

1. CONNECTOR TYPE & FOOTPRINT:

- "41" MALE WITH FOOTPRINT= 7.2MM
- "42" FEMALE WITH FOOTPRINT= 7.2MM
- "43" MALE WITH FOOTPRINT= 9.4MM
- "44" FEMALE WITH FOOTPRINT= 9.4MM

2. NO. OF CONTACTS:

- 09, 15, 25, 37

3. SHELL FINISH:

- "T" FULL TIN PLATED

4. INSULATOR COLOR:

- "W" WHITE
- "B" BLACK

5. MOUNTING OPTION:

- " " W/O BOARDLOCKS
- "BL" WITH BOARDLOCKS