

SLIM DB9 FEMALE CONNECTOR RIGHT ANGLE DIP TYPE

SPECIFICATIONS

Current Rating: 5 Ampere

Contact Resistance: 20mΩ Max. at DC 100mA

Insulation Resistance: 1000MΩ Min. at 500V DC

Withstanding Voltage: 1000V AC

Operating Temperature: -55°C to +125°C

Max Processing Temperature:

210°C for 30~60 Seconds

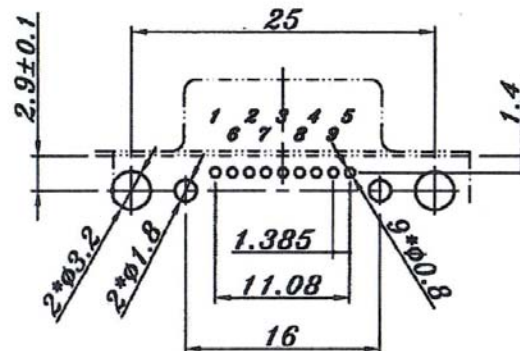
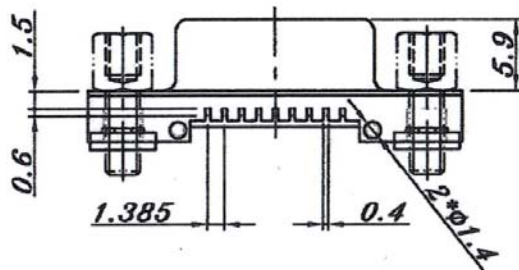
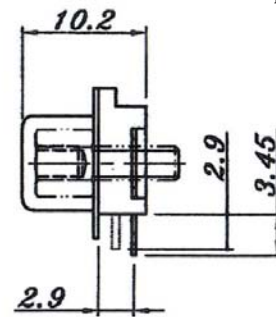
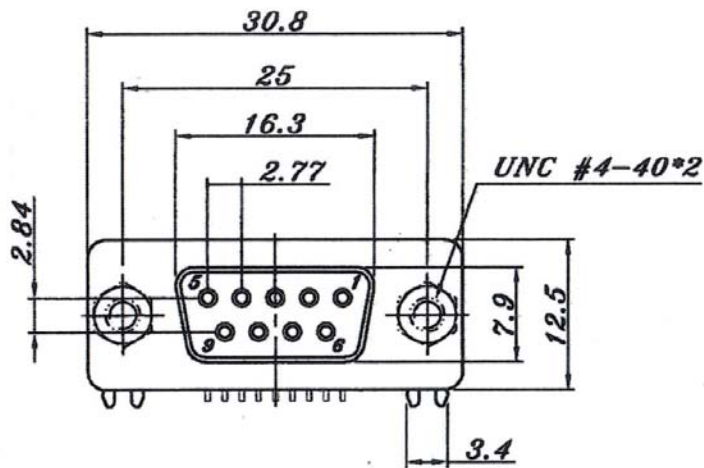
MATERIALS

Insulator: NY9T, UL94V-0

Contact: Phosphor Bronze or Brass

Plating: Gold Plated Over Nickel in Contact Area

*RoHS & REACH compliant.



Recommended P.C.Board Layout

ORDERING INFORMATION:

P/N 5 300 - DB09 RA / xx

1. CONNECTOR TYPE:

"300" FEMALE

2. NO. OF CONTACTS:

"DB09" DB9F

3. TERMINAL TYPE:

"RA" R/A DIP TYPE

4. FLANGE MOUNTING OPTION:

"N" #4-40UNC THREADED HOLES
WITHOUT HEX SCREW BOLTS

"NH" #4-40UNC THREADED HOLES
WITH BULK-PACKED (LOOSE)
#4-40UNC HEX SCREW BOLTS

"NJ" #4-40UNC THREADED HOLES
WITH INSTALLED (ASSEMBLED)
#4-40UNC HEX SCREW BOLTS

SLIM DB9 FEMALE CONNECTOR RIGHT ANGLE SMT TYPE

SPECIFICATIONS

Current Rating: 5 Ampere

Contact Resistance: 20mΩ Max. at DC 100mA

Insulation Resistance: 1000MΩ Min. at 500V DC

Withstanding Voltage: 1000V AC

Operating Temperature: -55°C to +125°C

Max Processing Temperature:

210°C for 30~60 Seconds

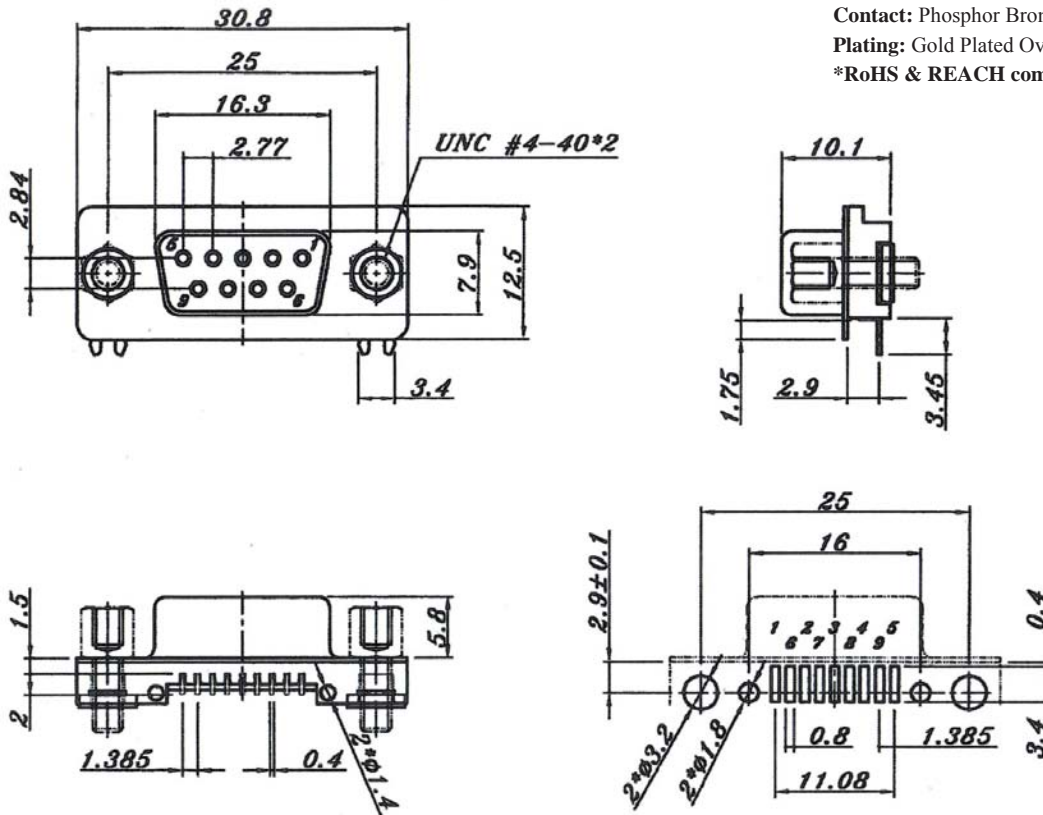
MATERIALS

Insulator: NY9T, UL94V-0

Contact: Phosphor Bronze or Brass

Plating: Gold Plated Over Nickel in Contact Area

*RoHS & REACH compliant.



Recommended P.C.Board Layout

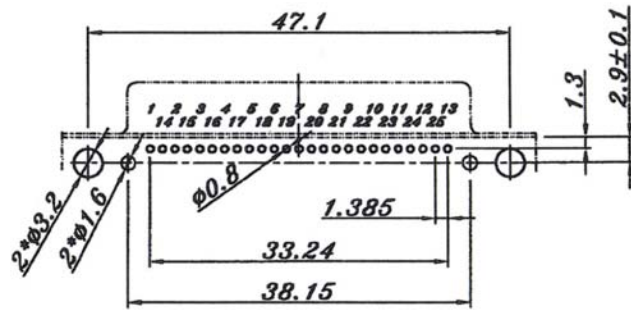
ORDERING INFORMATION:

P/N 5 300 - DB09 SMT / XX

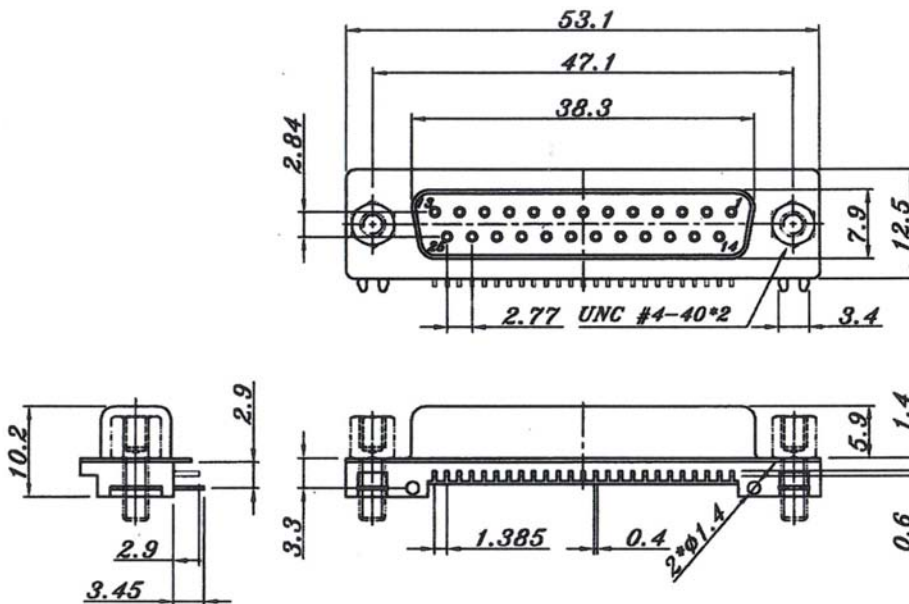
1. CONNECTOR TYPE:
"300" FEMALE
2. NO. OF CONTACTS:
"DB09" DB9F
3. TERMINAL TYPE:
"SMT" R/A SMT TYPE

4. FLANGE MOUNTING OPTION:
"N " #4-40UNC THREADED HOLES
WITHOUT HEX SCREW BOLTS
"NH" #4-40UNC THREADED HOLES
WITH BULK-PACKED (LOOSE)
#4-40UNC HEX SCREW BOLTS
"NJ" #4-40UNC THREADED HOLES
WITH INSTALLED (ASSEMBLED)
#4-40UNC HEX SCREW BOLTS

SLIM DB25 FEMALE CONNECTOR RIGHT ANGLE DIP TYPE



Recommended P.C.Board Layout



SPECIFICATIONS

Current Rating: 5 Ampere

Contact Resistance: 20mΩ Max. at DC 100mA

Insulation Resistance: 1000MΩ Min. at 500V DC

Withstanding Voltage: 1000V AC

Operating Temperature: -55°C to +125°C

Max Processing Temperature:

230°C for 60 Seconds

MATERIALS

Insulator: NY9T, UL94V-0

Contact: Phosphor Bronze or Brass

Plating: Gold Plated Over Nickel in Contact Area

*RoHS & REACH compliant.

ORDERING INFORMATION:

P/N 5 300 - DB25 RA / xx

1. CONNECTOR TYPE:

"300" FEMALE

2. NO. OF CONTACTS:

"DB25" DB25F

3. TERMINAL TYPE:

"RA" R/A DIP TYPE

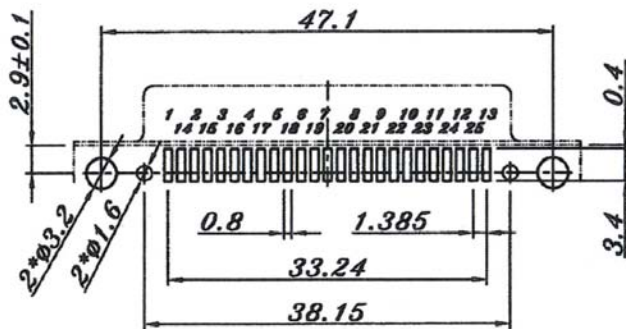
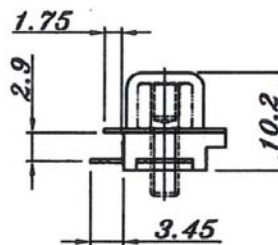
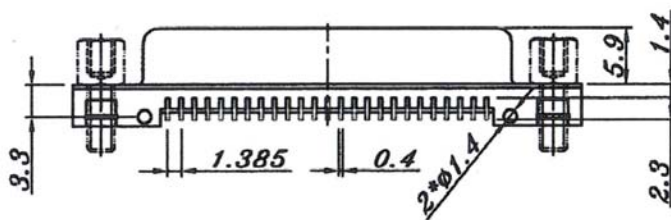
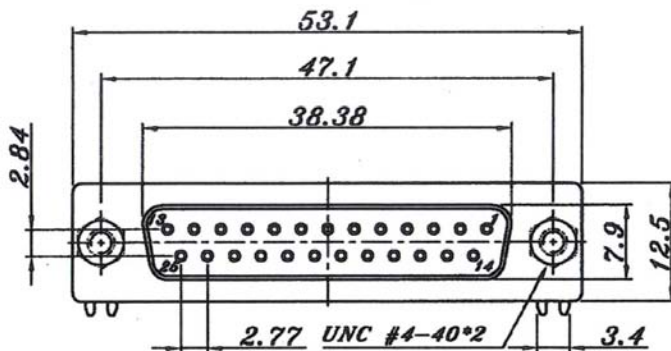
4. FLANGE MOUNTING OPTION:

"N" #4-40UNC THREADED HOLES
WITHOUT HEX SCREW BOLTS

"NH" #4-40UNC THREADED HOLES
WITH BULK-PACKED (LOOSE)
#4-40UNC HEX SCREW BOLTS

"NJ" #4-40UNC THREADED HOLES
WITH INSTALLED (ASSEMBLED)
#4-40UNC HEX SCREW BOLTS

SLIM DB25 FEMALE CONNECTOR RIGHT ANGLE SMT TYPE



Recommended P.C.Board Layout

SPECIFICATIONS

Current Rating: 5 Ampere

Contact Resistance: 20mΩ Max. at DC 100mA

Insulation Resistance: 1000MΩ Min. at 500V DC

Withstanding Voltage: 1000V AC

Operating Temperature: -55°C to +125°C

Max Processing Temperature:

230°C for 60 Seconds

MATERIALS

Insulator: NY9T, UL94V-0

Contact: Phosphor Bronze or Brass

Plating: Gold Plated Over Nickel in Contact Area

*RoHS & REACH compliant.

ORDERING INFORMATION:

P/N 5 300 - DB25 SMT / XX

1. CONNECTOR TYPE:

"300" FEMALE

2. NO. OF CONTACTS:

"DB25" DB25F

3. TERMINAL TYPE:

"SMT" R/A SMT TYPE

4. FLANGE MOUNTING OPTION:

"N" #4-40UNC THREADED HOLES
WITHOUT HEX SCREW BOLTS

"NH" #4-40UNC THREADED HOLES
WITH BULK-PACKED (LOOSE)
#4-40UNC HEX SCREW BOLTS

"NJ" #4-40UNC THREADED HOLES
WITH INSTALLED (ASSEMBLED)
#4-40UNC HEX SCREW BOLTS

SLIM HD15 FEMALE CONNECTOR RIGHT ANGLE DIP TYPE

SPECIFICATIONS

Current Rating: 5 Ampere

Contact Resistance: 20mΩ Max. at DC 100mA

Insulation Resistance: 1000MΩ Min. at 500V DC

Withstanding Voltage: 1000V AC

Operating Temperature: -55°C to +125°C

Max Processing Temperature:

230°C for 60 Seconds

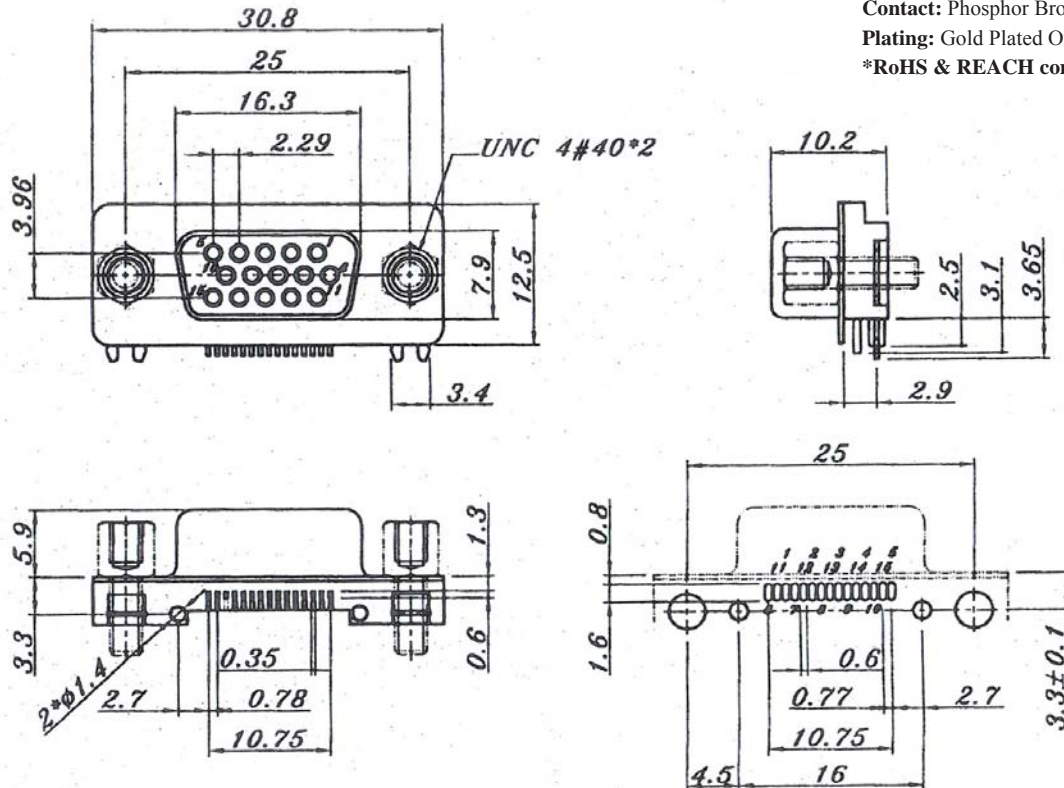
MATERIALS

Insulator: NY9T, UL94V-0

Contact: Phosphor Bronze or Brass

Plating: Gold Plated Over Nickel in Contact Area

*RoHS & REACH compliant.



Recommended P.C.Board Layout

ORDERING INFORMATION:

P/N 5 300 - HD15 RA / xx

1 2 3 4

1. CONNECTOR TYPE:

"300" FEMALE

2. NO. OF CONTACTS:

"HD15" HIGH DENSITY D-SUB 15P

3. TERMINAL TYPE:

"RA" R/A DIP TYPE

4. FLANGE MOUNTING OPTION:

"N " #4-40UNC THREADED HOLES
WITHOUT HEX SCREW BOLTS

"NH" #4-40UNC THREADED HOLES
WITH BULK-PACKED (LOOSE)

#4-40UNC HEX SCREW BOLTS

"NJ" #4-40UNC THREADED HOLES
WITH INSTALLED (ASSEMBLED)

#4-40UNC HEX SCREW BOLTS

SLIM HD15 FEMALE CONNECTOR RIGHT ANGLE SMT TYPE

SPECIFICATIONS

Current Rating: 5 Ampere

Contact Resistance: 20mΩ Max. at DC 100mA

Insulation Resistance: 1000MΩ Min. at 500V DC

Withstanding Voltage: 1000V AC

Operating Temperature: -55°C to +125°C

Max Processing Temperature:

230°C for 60 Seconds

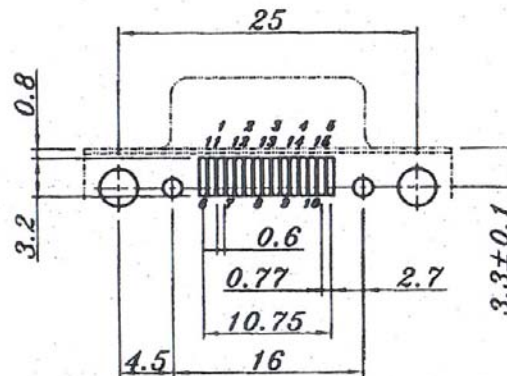
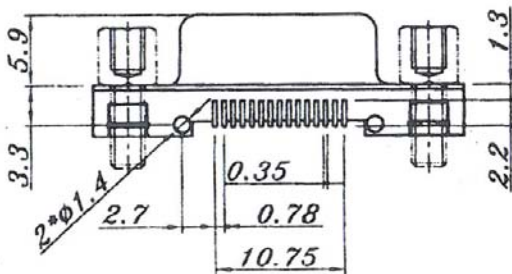
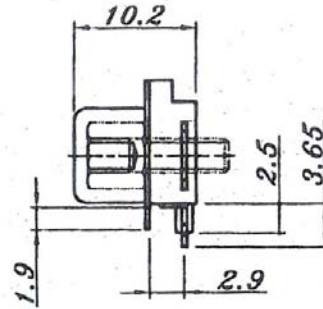
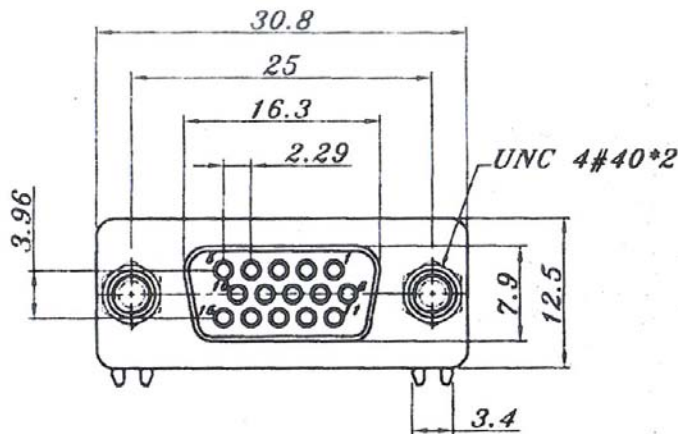
MATERIALS

Insulator: NY9T, UL94V-0

Contact: Phosphor Bronze or Brass

Plating: Gold Plated Over Nickel in Contact Area

*RoHS & REACH compliant.



Recommended P.C.Board Layout

ORDERING INFORMATION:

P/N 5 300 - HD15 SMT / X X

1. CONNECTOR TYPE:

"300" FEMALE

2. NO. OF CONTACTS:

"HD15" HIGH DENSITY D-SUB 15P

3. TERMINAL TYPE:

"SMT" R/A SMT TYPE

4. FLANGE MOUNTING OPTION:

"N " #4-40UNC THREADED HOLES
WITHOUT HEX SCREW BOLTS

"NH" #4-40UNC THREADED HOLES
WITH BULK-PACKED (LOOSE)
#4-40UNC HEX SCREW BOLTS

"NJ" #4-40UNC THREADED HOLES
WITH INSTALLED (ASSEMBLED)
#4-40UNC HEX SCREW BOLTS