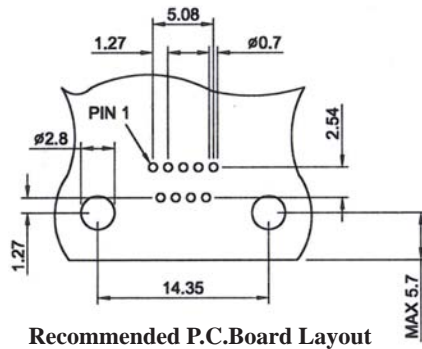
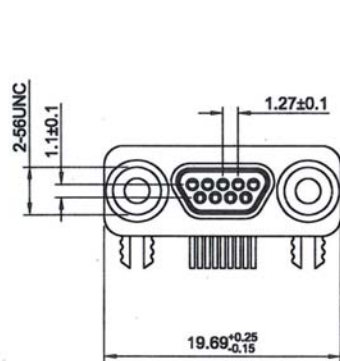


MICRO D-SUB. 9 PIN FEMALE CONNECTOR RIGHT ANGLE TYPE



Recommended P.C.Board Layout

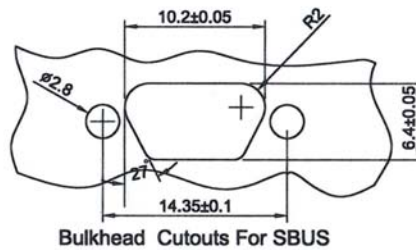
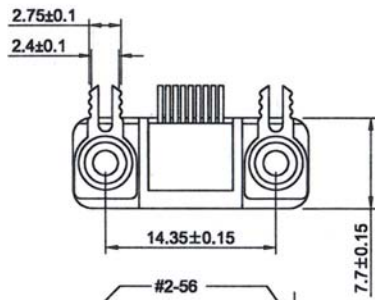
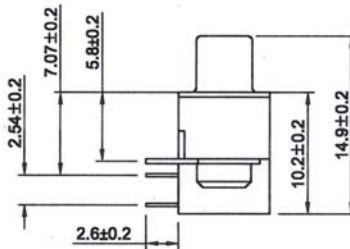
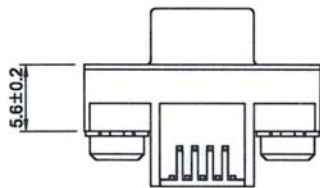
SPECIFICATIONS

Current Rating: 1 Amperes
Insulation Resistance: 1000MΩ Min
Dielectric Withstanding: 500VAC
Contact Resistance: 45mΩ Max.
Operating Temperature: -55°C to +85°C

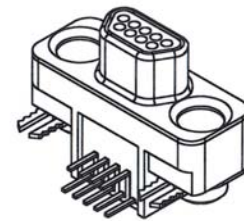
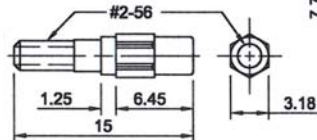
MATERIALS

Insulator: Thermoplastic, UL94V-0
Contact: Copper Alloy
Shell: Cold Roller Steel; Bright Tin Over Copper
Contact: Gold on Mating End; Tin on Termination End; All Underplated Nickel

*RoHS & REACH compliant.



Bulkhead Cutouts For SBUS



ORDERING INFORMATION:

P/N 5 2 RF - 0 9 T B / XX
 1 2 3

1. CONNECTOR TYPE:
"RF" MICRO D-SUB. FEMALE CONNECTOR
2. NO. OF CONTACTS:
09
3. MOUNTING OPTION:
"N" WITHOUT SCREWS
"NH" LOOSE SCREWS
"NJ" ASSEMBLED SCREWS

