

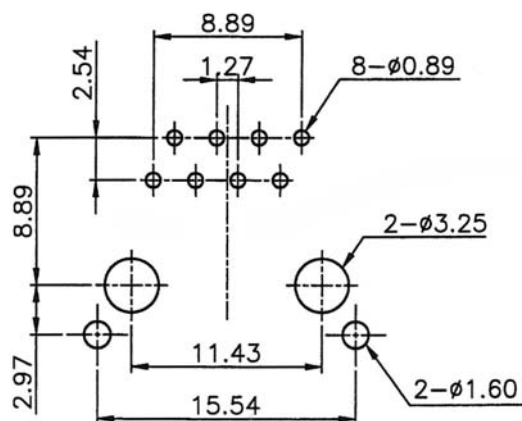
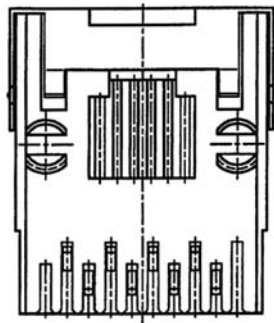
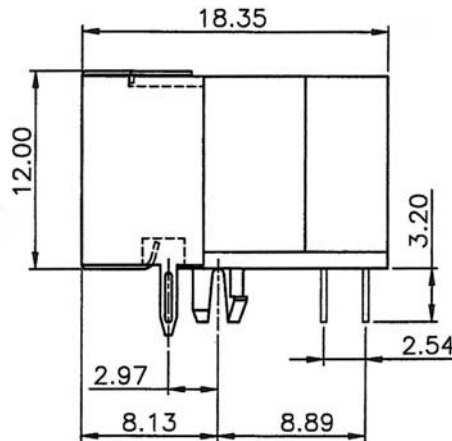
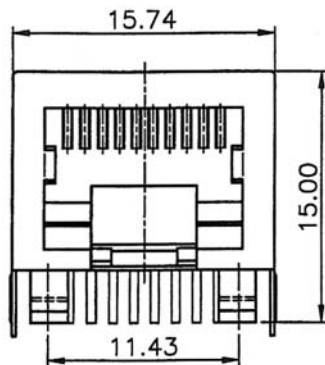
SIDE ENTRY MODULAR PCB JACK 8P PROFILE=12.00MM (HALF SHIELDED)

SPECIFICATIONS

Insulation Resistance: 500MΩ Min.
Contact Resistance: 20mΩ Max.
Rating Current: 1.5A Max.
Rating Voltage: 120V AC.
Dielectric Voltage: 1000 Vrms 60 Sec. Min.
Temperature Range: -40°C / +85°C
Durability: 500 Mating cycles Min.

MATERIALS

Housing: PBT Glass Filled (UL 94V-0)
Soldering Temperature: 235°C
Color: Black
Spring Wire: Phosphor Bronze
 Gold plating Over Nickel
Shield: Brass plating Nickel Alloy
All materials must be RoHS compliant.



Recommended P.C. Board Layout
(TOP VIEW)

ORDERING INFORMATION:

P/N MJ 63 - $\frac{88}{1}$ x $\frac{B}{2}$ x $\frac{x}{3}$

1. NO. OF POSITIONS & CONTACTS:
"88" 8P8C
2. CONTACT FINISH:
"A" 6 MICROINCH GOLD
"B" 15 MICROINCH GOLD
"C" 30 MICROINCH GOLD
"D" 50 MICROINCH GOLD
"E" GOLD FLASH
3. KEYWAY OPTION:
" " W/O KEYWAY
"K" WITH KEYWAY