

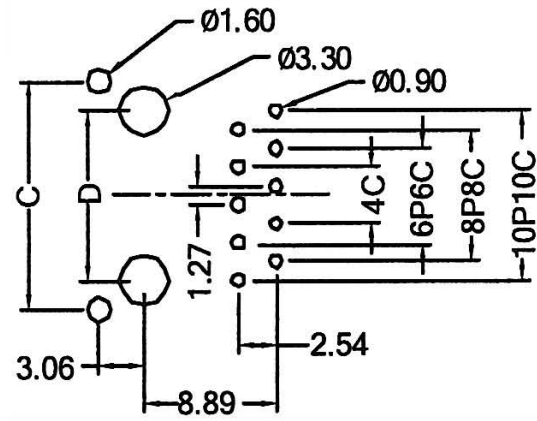
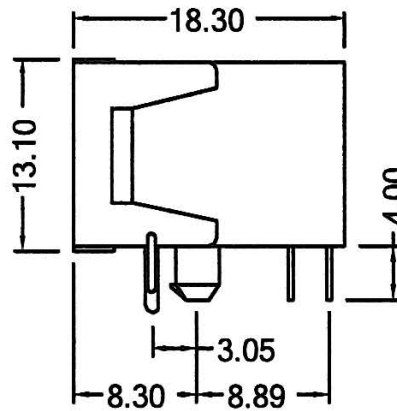
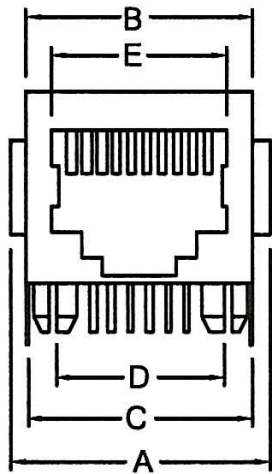
SIDE ENTRY MODULAR PCB JACK 6P+8P+10P PROFILE=13.10MM (HALF SHIELDED)

SPECIFICATIONS

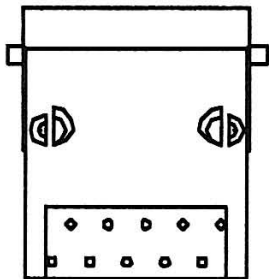
Insulation Resistance: 500M Ω Min.
Contact Resistance: 20m Ω Max.
Rating Current: 1.5A Max.
Rating Voltage: 120V AC.
Dielectric Voltage: 1000 Vrms 60 Sec. Min.
Temperature Range: -40 $^{\circ}$ c / +85 $^{\circ}$ c
Durability: 500 Mating cycles Min.

MATERIALS

Housing: PBT Glass Filled (UL 94V-0)
Soldering Temperature: 235 $^{\circ}$ c
Color: Black
Spring Wire: Phosphor Bronze
 Gold plating Over Nickel
Shield: Brass plating Nickel Alloy
All materials must be RoHS compliant.



Recommended P.C. Board Layout
(TOP VIEW)



No. of Positions	No. of Contacts	A	B	C	D	E
6P	2C/4C/6C	15.60	13.65	13.40	10.16	9.90
8P	8C	17.50	15.65	15.40	11.43	11.85
10P	10C	17.50	15.65	15.40	11.43	11.85

ORDERING INFORMATION:

P/N M J 8 0 - $\frac{x x x B}{1 2}$

1. NO. OF POSITIONS & CONTACTS:

- "66" 6P6C
- "64" 6P4C
- "88" 8P8C
- "00" 10P10C

2. CONTACT FINISH:

- "A" 6 MICROINCH GOLD
- "B" 15 MICROINCH GOLD
- "C" 30 MICROINCH GOLD
- "D" 50 MICROINCH GOLD