

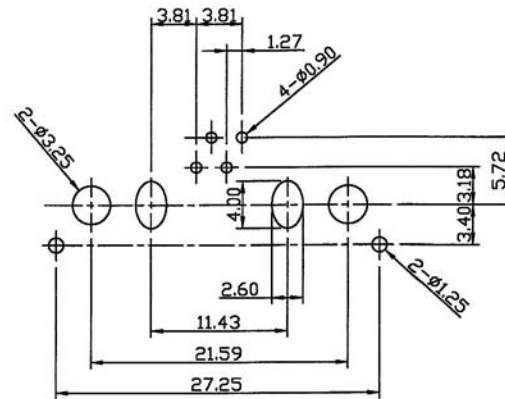
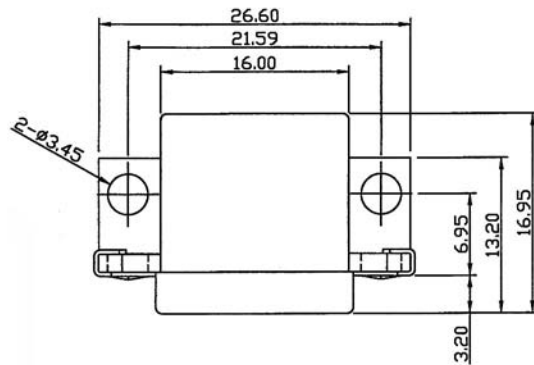
SIDE ENTRY DATA LINK MODULAR PCB JACK 4P PROFILE=13.20MM (FULLY SHIELDED)

SPECIFICATIONS

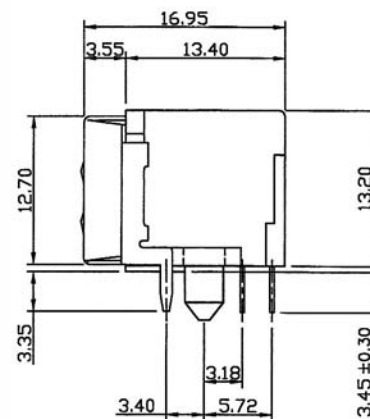
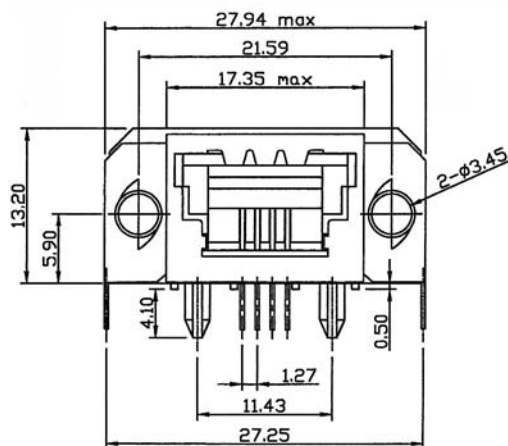
Insulation Resistance: 500MΩ Min.
Contact Resistance: 20mΩ Max.
Rating Current: 1.5A Max.
Rating Voltage: 120V AC.
Dielectric Voltage: 1000 Vrms 60 Sec. Min.
Temperature Range: -40°C / +85°C
Durability: 500 Mating cycles Min.

MATERIALS

Housing: PBT Glass Filled (UL 94V-0)
Soldering Temperature: 235°C
Color: Black
Spring Wire: Phosphor Bronze
 Gold plating Over Nickel
Shield: Brass plating Nickel Alloy
All materials must be RoHS compliant.



Recommended P.C. Board Layout
(TOP VIEW)



ORDERING INFORMATION:

P/N MJ4F - $\frac{44}{1} \times \frac{B}{2}$

1. NO. OF POSITIONS & CONTACTS:
"44" 4P4C
2. CONTACT FINISH:
 "A" 6 MICROINCH GOLD
 "B" 15 MICROINCH GOLD
 "C" 30 MICROINCH GOLD
 "D" 50 MICROINCH GOLD