

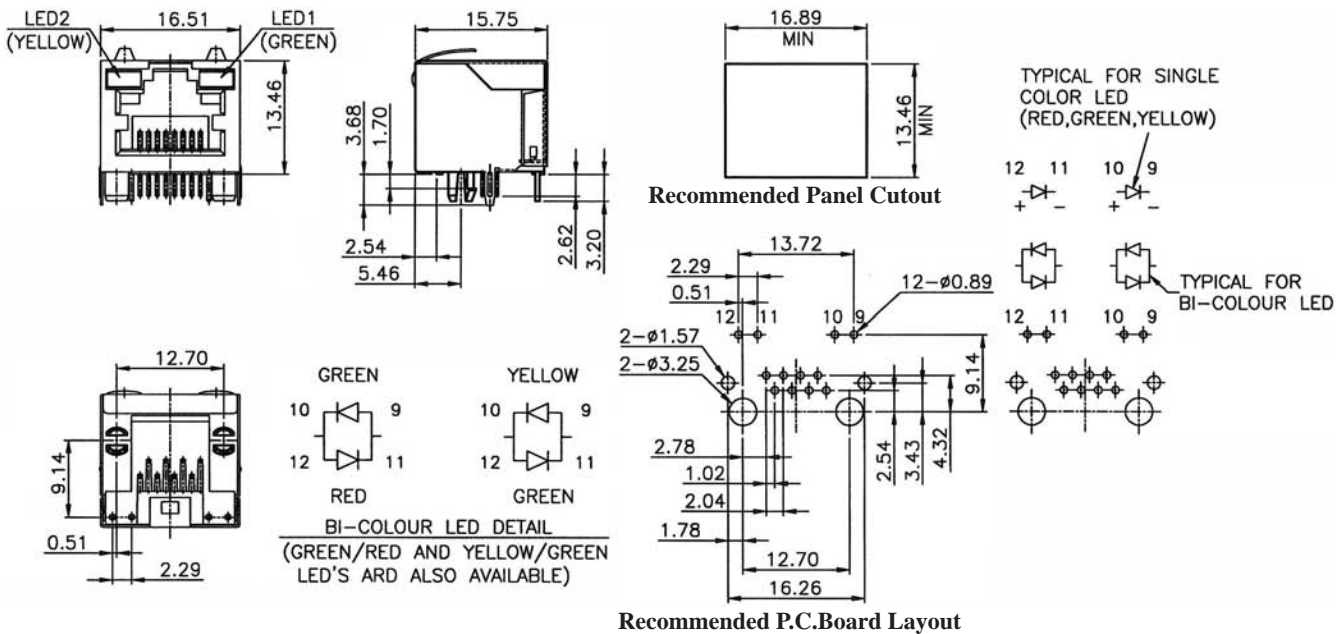
SIDE ENTRY UP LATCH MODULAR PCB JACK WITH LED 8P PROFILE=13.46MM (FULLY SHIELDED)

SPECIFICATIONS

- Insulation Resistance:** 500MΩ Min.
- Contact Resistance:** 20mΩ Max.
- Rating Current:** 1.5A Max.
- Rating Voltage:** 120V AC.
- Dielectric Voltage:** 1000 Vrms 60 Sec. Min.
- Temperature Range:** -40°C / +85°C
- Durability:** 500 Mating cycles Min.

MATERIALS

- Housing:** PBT Glass Filled (UL 94V-0)
- Soldering Temperature:** 235°C
- Color:** Black
- Spring Wire:** Phosphor Bronze
Gold plating Over Nickel
- Shield:** Brass plating Nickel Alloy
- All materials must be RoHS compliant.**



ORDERING INFORMATION:

P/N MJ3A - $\frac{88}{1} \times \frac{B}{2} \times \frac{01}{345}$

1. NO. OF POSITIONS & CONTACTS:
"88" 8P8C
2. CONTACT FINISH:
"A" 6 MICROINCH GOLD
"B" 15 MICROINCH GOLD
"C" 30 MICROINCH GOLD
"D" 50 MICROINCH GOLD
3. CODE OF LED1 DESIGNATION:
N, Y, R, X, 3, 4, 5, 6, 9, 0
4. CODE OF LED2 DESIGNATION:
N, Y, R, X, 3, 4, 5, 6, 9, 0
5. NO. OF PORTS:
01

LED Designation:					
Code	Forward	Reverse	Code	Forward	Reverse
N	Green	———	4	Yellow	Red
Y	Yellow	———	5	Green	Yellow
R	Red	———	6	Yellow	Green
1	Green	Orange	9	Red	Green
3	Green	Red	0	Red	Yellow
X	———	———	8	Orange	———