

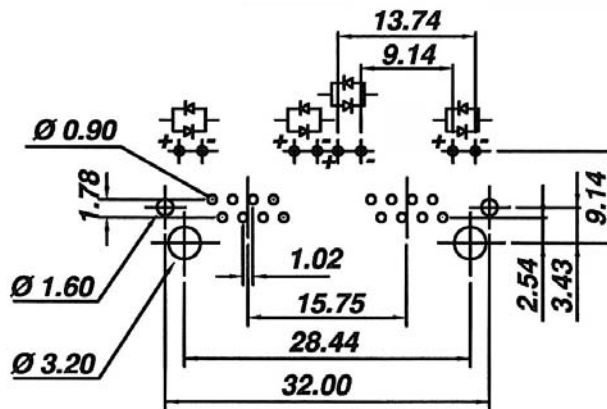
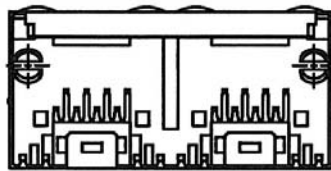
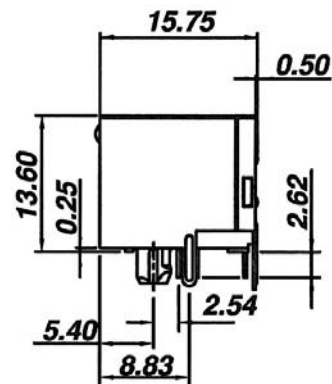
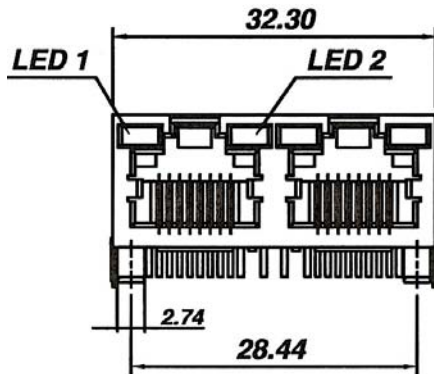
## SIDE ENTRY 2-PORT UP LATCH MODULAR PCB JACK WITH LED 8P PROFILE=13.60MM (FULLY SHIELDED)

### SPECIFICATIONS

**Insulation Resistance:** 500MΩ Min.  
**Contact Resistance:** 20mΩ Max.  
**Rating Current:** 1.5A Max.  
**Rating Voltage:** 120V AC.  
**Dielectric Voltage:** 1000 Vrms 60 Sec. Min.  
**Temperature Range:** -40°C / +85°C  
**Durability:** 500 Mating cycles Min.

### MATERIALS

**Housing:** Nylon (UL 94V-0)  
**Soldering Temperature:** 260°C  
**Color:** Black  
**Spring Wire:** Phosphor Bronze  
                   Gold plating Over Nickel  
**Shield:** Brass plating Nickel Alloy  
**All materials must be RoHS compliant.**



Recommended P.C. Board Layout  
(TOP VIEW)

### ORDERING INFORMATION:

P/N M J R R - 88 x B x x 02  
                  1 2 3 4 5

- NO. OF POSITIONS & CONTACTS:  
"88" 8P8C
- CONTACT FINISH:  
"A" 6 MICROINCH GOLD  
"B" 15 MICROINCH GOLD  
"C" 30 MICROINCH GOLD  
"D" 50 MICROINCH GOLD
- CODE OF LED1 DESIGNATION:  
N, Y, R, X, 3, 4, 5, 6, 9, 0, 8
- CODE OF LED2 DESIGNATION:  
N, Y, R, X, 3, 4, 5, 6, 9, 0, 8
- NO. OF PORTS:  
02

#### LED Designation:

Code	Forward	Reverse	Code	Forward	Reverse
N	Green	———	4	Yellow	Red
Y	Yellow	———	5	Green	Yellow
R	Red	———	6	Yellow	Green
1	Green	Orange	9	Red	Green
3	Green	Red	0	Red	Yellow
X	———	———	8	Orange	———

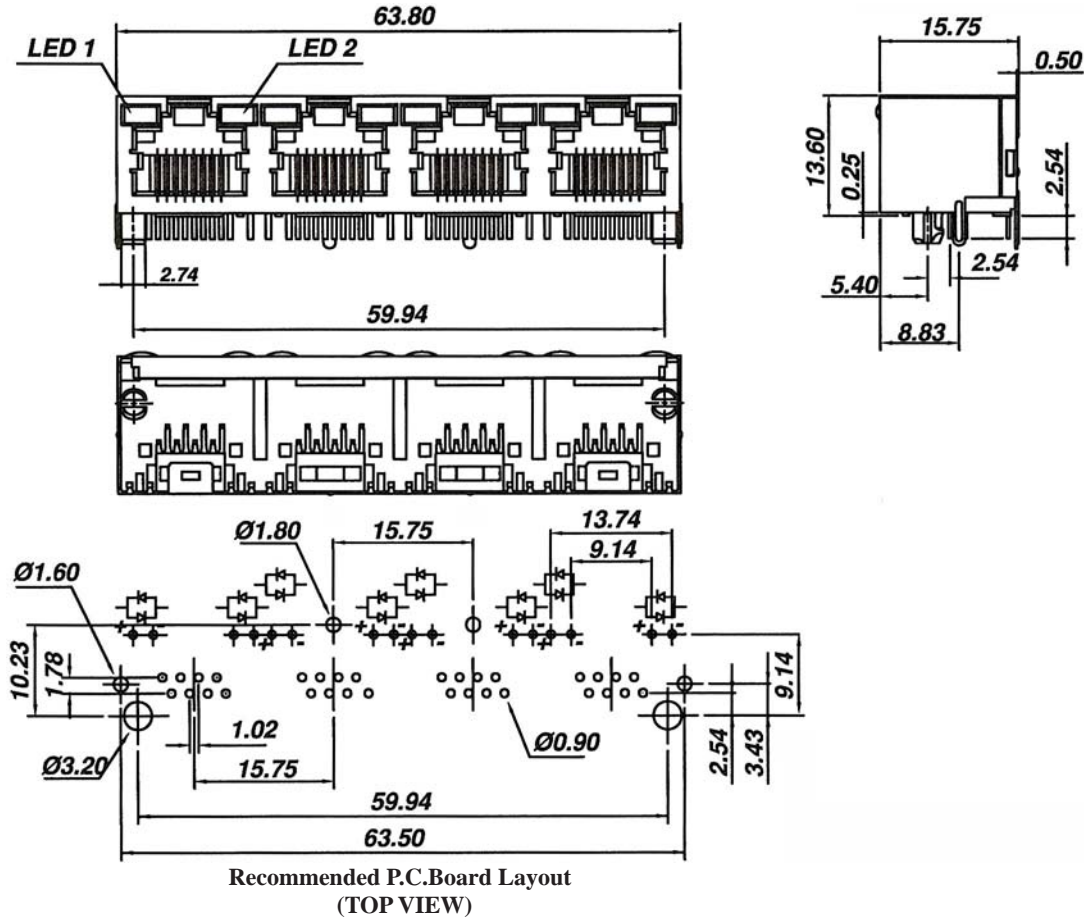
# SIDE ENTRY 4-PORT UP LATCH MODULAR PCB JACK WITH LED 8P PROFILE=13.60MM (FULLY SHIELDED)

### SPECIFICATIONS

**Insulation Resistance:** 500MΩ Min.  
**Contact Resistance:** 20mΩ Max.  
**Rating Current:** 1.5A Max.  
**Rating Voltage:** 120V AC.  
**Dielectric Voltage:** 1000 Vrms 60 Sec. Min.  
**Temperature Range:** -40°C / +85°C  
**Durability:** 500 Mating cycles Min.

### MATERIALS

**Housing:** Nylon (UL 94V-0)  
**Soldering Temperature:** 260°C  
**Color:** Black  
**Spring Wire:** Phosphor Bronze  
 Gold plating Over Nickel  
**Shield:** Brass plating Nickel Alloy  
**All materials must be RoHS compliant.**



## ORDERING INFORMATION:

**P/N M J R R - 8 8 x B x x 0 4**  
 1 2 3 4 5

1. NO. OF POSITIONS & CONTACTS:  
"88" 8P8C
2. CONTACT FINISH:  
"A" 6 MICROINCH GOLD  
"B" 15 MICROINCH GOLD  
"C" 30 MICROINCH GOLD  
"D" 50 MICROINCH GOLD
3. CODE OF LED1 DESIGNATION:  
N, Y, R, X, 3, 4, 5, 6, 9, 0, 8
4. CODE OF LED2 DESIGNATION:  
N, Y, R, X, 3, 4, 5, 6, 9, 0, 8
5. NO. OF PORTS:  
04

LED Designation:					
Code	Forward	Reverse	Code	Forward	Reverse
N	Green	———	4	Yellow	Red
Y	Yellow	———	5	Green	Yellow
R	Red	———	6	Yellow	Green
1	Green	Orange	9	Red	Green
3	Green	Red	0	Red	Yellow
X	———	———	8	Orange	———

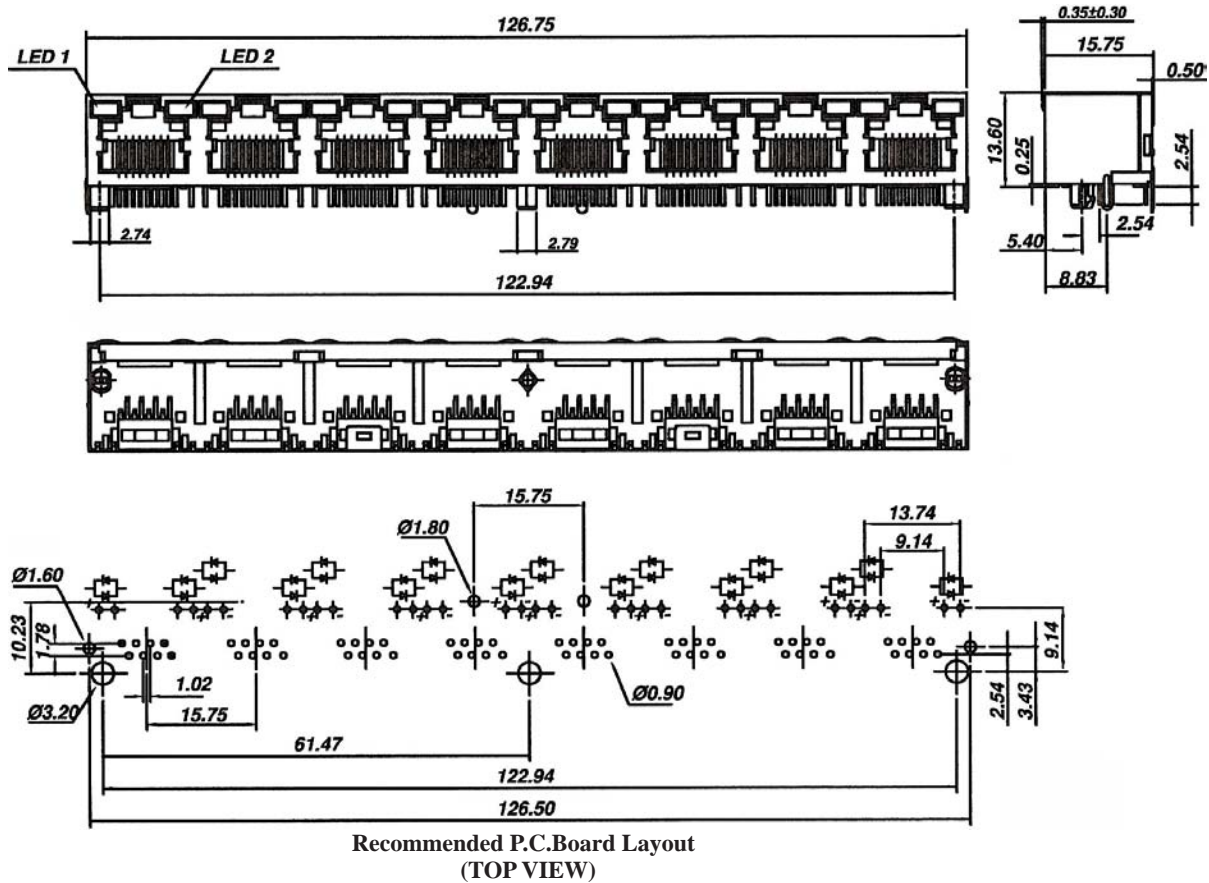
## SIDE ENTRY 8-PORT UP LATCH MODULAR PCB JACK WITH LED 8P PROFILE=13.60MM (FULLY SHIELDED)

### SPECIFICATIONS

Insulation Resistance: 500MΩ Min.  
 Contact Resistance: 20mΩ Max.  
 Rating Current: 1.5A Max.  
 Rating Voltage: 120V AC.  
 Dielectric Voltage: 1000 Vrms 60 Sec. Min.  
 Temperature Range: -40°C / +85°C  
 Durability: 500 Mating cycles Min.

### MATERIALS

Housing: Nylon (UL 94V-0)  
 Soldering Temperature: 260°C  
 Color: Black  
 Spring Wire: Phosphor Bronze  
 Gold plating Over Nickel  
 Shield: Brass plating Nickel Alloy  
 All materials must be RoHS compliant.



### ORDERING INFORMATION:

P/N M J R R - 8 8 x B x x 0 8  
 1 2 3 4 5

1. NO. OF POSITIONS & CONTACTS:  
"88" 8P8C
2. CONTACT FINISH:  
"A" 6 MICROINCH GOLD  
"B" 15 MICROINCH GOLD  
"C" 30 MICROINCH GOLD  
"D" 50 MICROINCH GOLD
3. CODE OF LED1 DESIGNATION:  
N, Y, R, X, 3, 4, 5, 6, 9, 0, 8
4. CODE OF LED2 DESIGNATION:  
N, Y, R, X, 3, 4, 5, 6, 9, 0, 8
5. NO. OF PORTS:  
08

#### LED Designation:

Code	Forward	Reverse	Code	Forward	Reverse
N	Green	—	4	Yellow	Red
Y	Yellow	—	5	Green	Yellow
R	Red	—	6	Yellow	Green
1	Green	Orange	9	Red	Green
3	Green	Red	0	Red	Yellow
X	—	—	8	Orange	—