

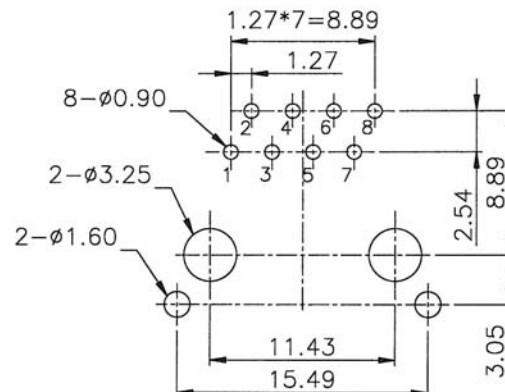
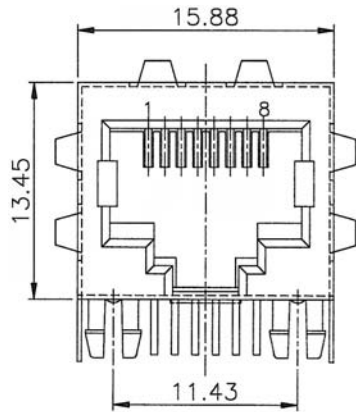
## SIDE ENTRY MODULAR PCB JACK 8P PROFILE=13.65MM (FULLY SHIELDED)

### SPECIFICATIONS

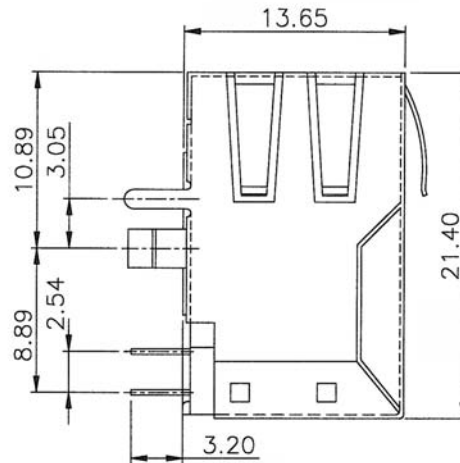
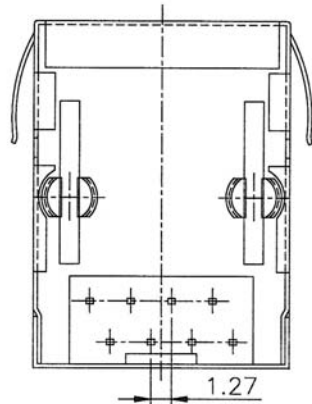
**Insulation Resistance:** 500MΩ Min.  
**Contact Resistance:** 20mΩ Max.  
**Rating Current:** 1.5A Max.  
**Rating Voltage:** 120V AC.  
**Dielectric Voltage:** 1000 Vrms 60 Sec. Min.  
**Temperature Range:** -40°C / +85°C  
**Durability:** 500 Mating cycles Min.

### MATERIALS

**Housing:** PBT Glass Filled (UL 94V-0)  
**Soldering Temperature:** 235°C  
**Color:** Black  
**Spring Wire:** Phosphor Bronze  
 Gold plating Over Nickel  
**Shield:** Brass plating Nickel Alloy  
**All materials must be RoHS compliant.**



Recommended P.C. Board Layout  
(TOP VIEW)



### ORDERING INFORMATION:

P/N M J  $\frac{x x}{1} - \frac{x x x}{2 3} B$

1. CATEGORY TYPE:  
 "5U" CAT. 3  
 "W5" CAT. 5
2. NO. OF POSITIONS & CONTACTS:  
 "88" 8P8C  
 "84" 8P4C
3. CONTACT FINISH:  
 "A" 6 MICROINCH GOLD  
 "B" 15 MICROINCH GOLD  
 "C" 30 MICROINCH GOLD  
 "D" 50 MICROINCH GOLD

NOTE: GROUNDING PIN SPACING=3.05MM BEFORE PEG