

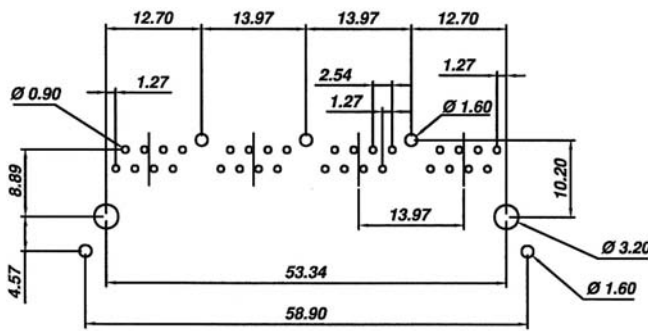
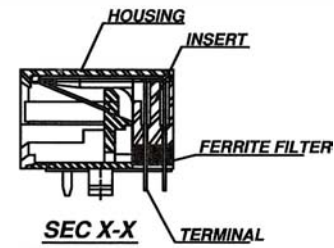
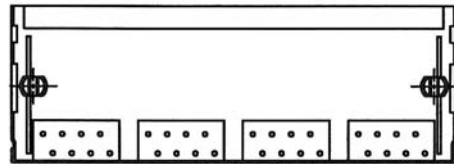
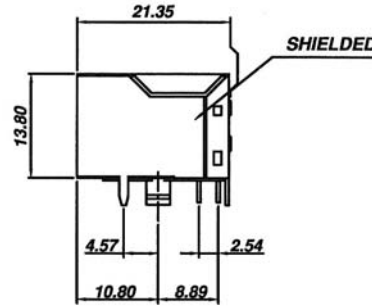
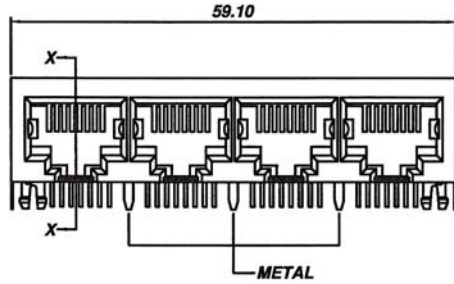
SIDE ENTRY 4-PORT MODULAR PCB JACK WITH FERRITE 8P PROFILE=13.80MM (FULLY SHIELDED)

SPECIFICATIONS

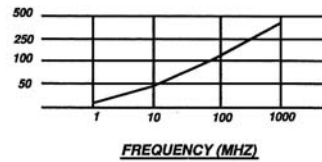
Insulation Resistance: 500MΩ Min.
Contact Resistance: 20mΩ Max.
Rating Current: 1.5A Max.
Rating Voltage: 120V AC.
Dielectric Voltage: 1000 Vrms 60 Sec. Min.
Temperature Range: -40°C / +85°C
Durability: 500 Mating cycles Min.

MATERIALS

Housing: PBT Glass Filled (UL 94V-0)
Soldering Temperature: 235°C
Color: Black
Spring Wire: Phosphor Bronze
 Gold plating Over Nickel
Shield: Brass plating Nickel Alloy
All materials must be RoHS compliant.



Recommended P.C.Board Layout (TOP VIEW)



ORDERING INFORMATION:

P/N M J S G - 8 8 x B 0 4
 $\frac{1}{2} \frac{3}{3}$

- 1. NO. OF POSITIONS & CONTACTS:**
 "88" 8P8C
- 2. CONTACT FINISH:**
 "A" 6 MICROINCH GOLD
 "B" 15 MICROINCH GOLD
 "C" 30 MICROINCH GOLD
 "D" 50 MICROINCH GOLD
- 3. NO. OF PORTS:**
 04