

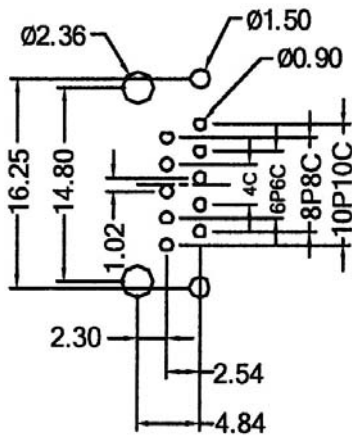
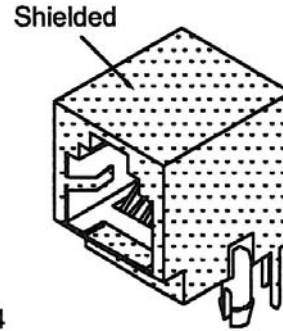
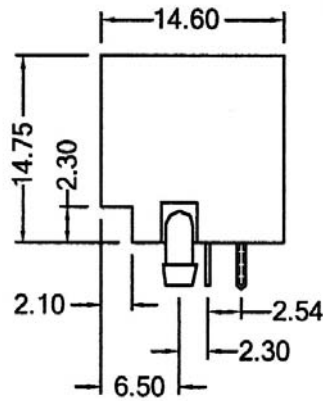
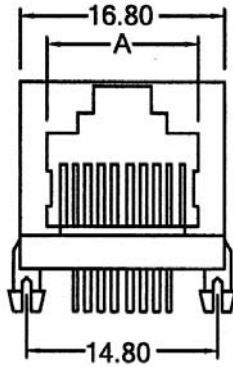
## SIDE ENTRY UP LATCH MODULAR PCB JACK 6P+8P+10P PROFILE=14.75MM (FULLY SHIELDED)

### SPECIFICATIONS

**Insulation Resistance:** 500MΩ Min.  
**Contact Resistance:** 20mΩ Max.  
**Rating Current:** 1.5A Max.  
**Rating Voltage:** 120V AC.  
**Dielectric Voltage:** 1000 Vrms 60 Sec. Min.  
**Temperature Range:** -40°C / +85°C  
**Durability:** 500 Mating cycles Min.

### MATERIALS

**Housing:** PBT Glass Filled (UL 94V-0)  
**Soldering Temperature:** 235°C  
**Color:** Black  
**Spring Wire:** Phosphor Bronze  
                   Gold plating Over Nickel  
**Shield:** Brass plating Nickel Alloy  
**All materials must be RoHS compliant.**



Recommended P.C.Board Layout  
(TOP VIEW)

No. of Positions	No. of Contacts	A
6P(8P)	4C/6C	9.90
8P	8C	11.90
10P	10C	11.90

### ORDERING INFORMATION:

P/N M J R 9 -  $\frac{x x x}{T 2}$  B

#### 1. NO. OF POSITIONS & CONTACTS:

"66" 6P6C  
 "64" 6P4C  
 "88" 8P8C  
 "00" 10P10C

#### 2. CONTACT FINISH:

"A" 6 MICROINCH GOLD  
 "B" 15 MICROINCH GOLD  
 "C" 30 MICROINCH GOLD  
 "D" 50 MICROINCH GOLD