

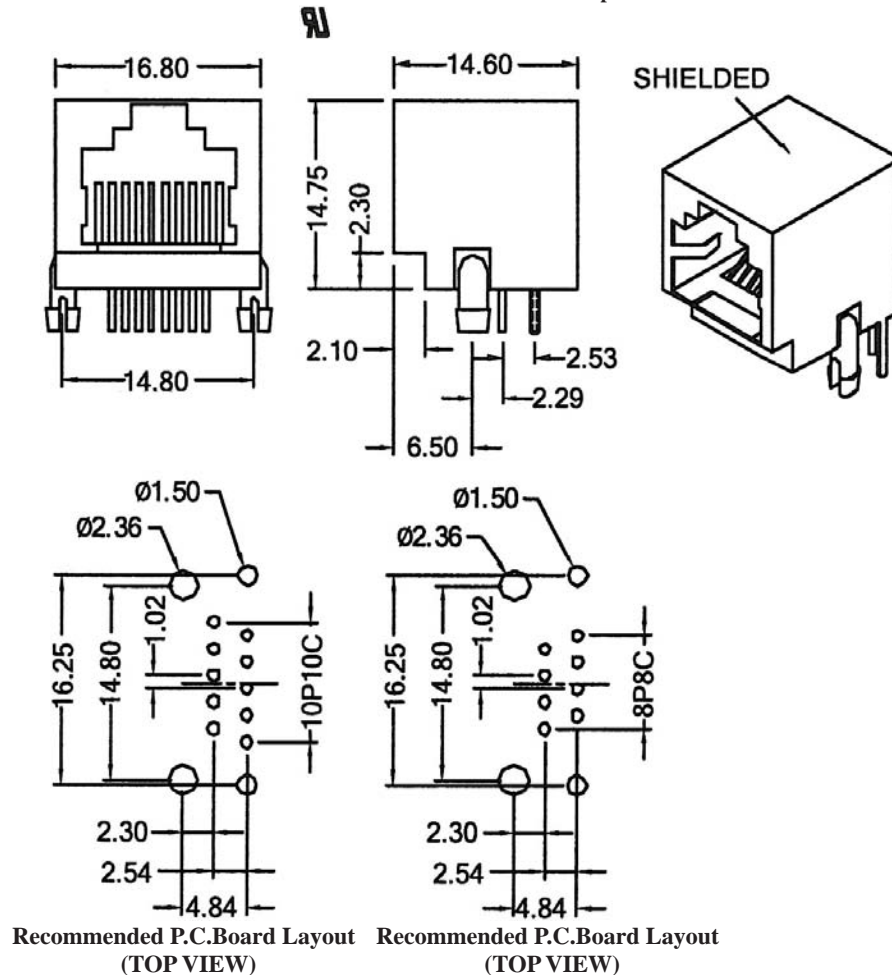
## SIDE ENTRY UP LATCH MODULAR PCB JACK 8P+10P PROFILE=14.75MM (FULLY SHIELDED)

### SPECIFICATIONS

**Insulation Resistance:** 500MΩ Min.  
**Contact Resistance:** 20mΩ Max.  
**Rating Current:** 1.5A Max.  
**Rating Voltage:** 120V AC.  
**Dielectric Voltage:** 1000 Vrms 60 Sec. Min.  
**Temperature Range:** -40°C / +85°C  
**Durability:** 500 Mating cycles Min.

### MATERIALS

**Housing:** PBT Glass Filled (UL 94V-0)  
**Soldering Temperature:** 235°C  
**Color:** Black & Gray  
**Spring Wire:** Phosphor Bronze  
                   Gold plating Over Nickel  
**Shield:** Brass plating Nickel Alloy  
**All materials must be RoHS compliant.**



### ORDERING INFORMATION:

P/N M J S 2 -  $\frac{x x x x}{1 2 3}$

- NO. OF POSITIONS & CONTACTS:  
 "88" 8P8C  
 "00" 10P10C
- CONTACT FINISH:  
 "A" 6 MICROINCH GOLD  
 "B" 15 MICROINCH GOLD  
 "C" 30 MICROINCH GOLD  
 "D" 50 MICROINCH GOLD
- HOUSING COLOR:  
 "A" GRAY  
 "B" BLACK