

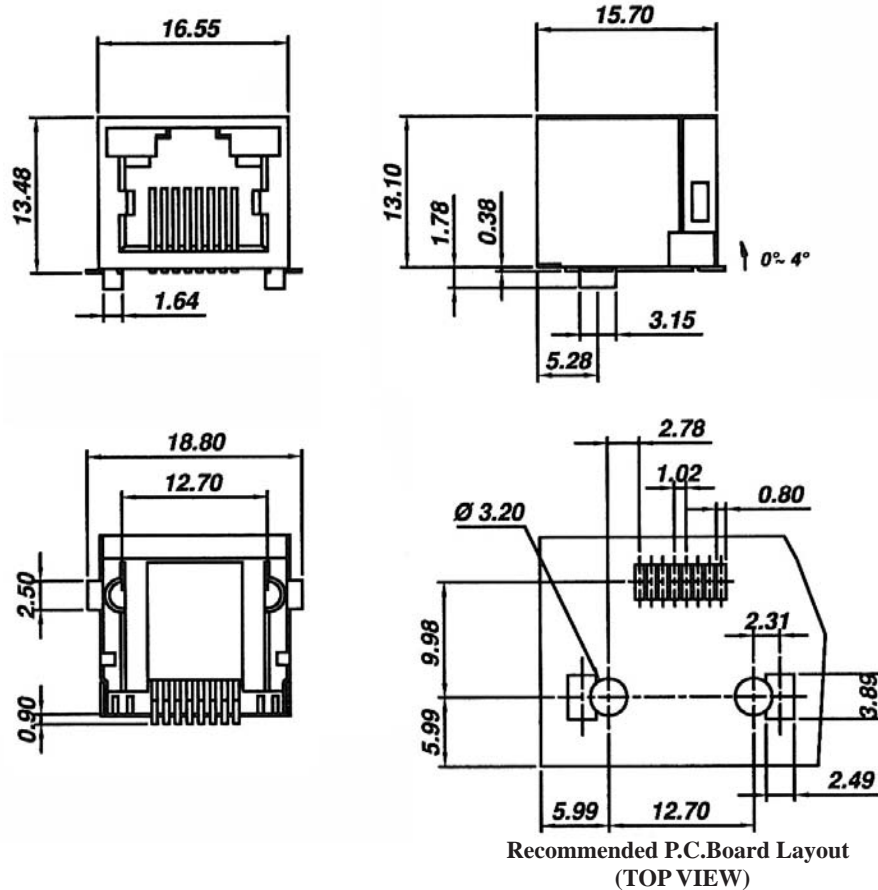
## SIDE ENTRY UP LATCH MODULAR SMT JACK 8P PROFILE=13.10MM (FULLY SHIELDED)

### SPECIFICATIONS

**Insulation Resistance:** 500MΩ Min.  
**Contact Resistance:** 20mΩ Max.  
**Rating Current:** 1.5A Max.  
**Rating Voltage:** 120V AC.  
**Dielectric Voltage:** 1000 Vrms 60 Sec. Min.  
**Temperature Range:** -40°C / +85°C  
**Durability:** 500 Mating cycles Min.

### MATERIALS

**Housing:** Nylon (UL 94V-0)  
**Soldering Temperature:** 260°C  
**Color:** Black  
**Spring Wire:** Phosphor Bronze  
                   Gold plating Over Nickel  
**Shield:** Brass plating Nickel Alloy  
**All materials must be RoHS compliant.**



### ORDERING INFORMATION:

P/N M J R P -  $\frac{88}{1} \times \frac{B}{2} - \frac{x}{3}$

1. NO. OF POSITIONS & CONTACTS:  
"88" 8P8C
2. CONTACT FINISH:  
"A" 6 MICROINCH GOLD  
"B" 15 MICROINCH GOLD  
"C" 30 MICROINCH GOLD  
"D" 50 MICROINCH GOLD
3. PACKAGE OPTION:  
" " TRAY  
"R" TAPE & REEL