

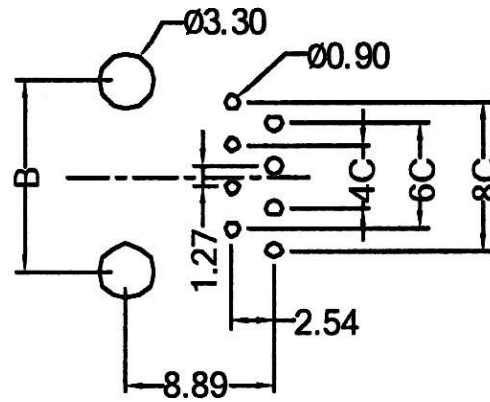
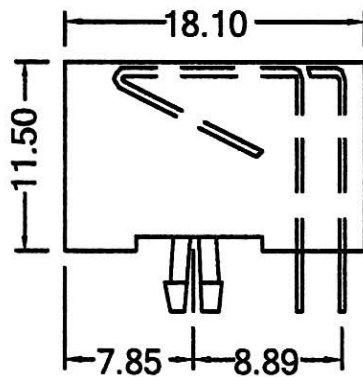
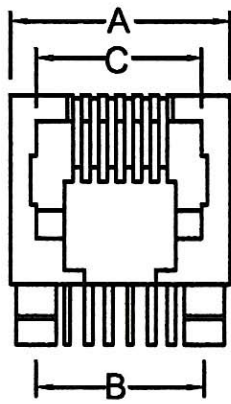
SIDE ENTRY MODULAR PCB JACK 4P+6P+8P PROFILE=11.50MM (UNSHIELDED)

SPECIFICATIONS

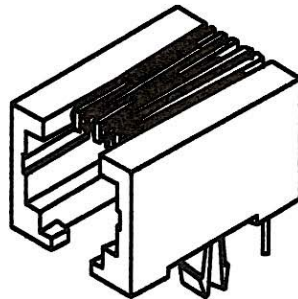
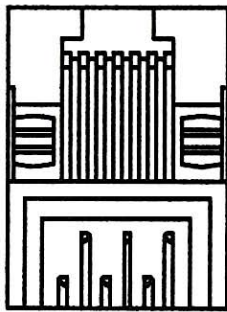
Insulation Resistance: 500MΩ Min.
Contact Resistance: 20mΩ Max.
Rating Current: 1.5A Max.
Rating Voltage: 120V AC.
Dielectric Voltage: 1000 Vrms 60 Sec. Min.
Temperature Range: -40°C / +85°C
Durability: 500 Mating cycles Min.

MATERIALS

Housing: PBT Glass Filled (UL 94V-0)
Soldering Temperature: 235°C
Color: Black
Spring Wire: Phosphor Bronze
 Gold plating Over Nickel
All materials must be RoHS compliant.



Recommended P.C.Board Layout
(TOP VIEW)



No. of Positions	No. of Contacts	A	B	C
4P	4C	11.00	7.62	7.90
6P	2C/4C/6C	13.20	10.16	9.90
8P	8C	15.30	11.43	12.00

ORDERING INFORMATION:

P/N M J 2 2 - $\frac{x}{1} \frac{x}{2} B$

1. NO. OF POSITIONS & CONTACTS:

"66" 6P6C
 "64" 6P4C
 "88" 8P8C
 "44" 4P4C

2. CONTACT FINISH:

"A" 6 MICROINCH GOLD
 "B" 15 MICROINCH GOLD
 "C" 30 MICROINCH GOLD
 "D" 50 MICROINCH GOLD
 "E" GOLD FLASH