

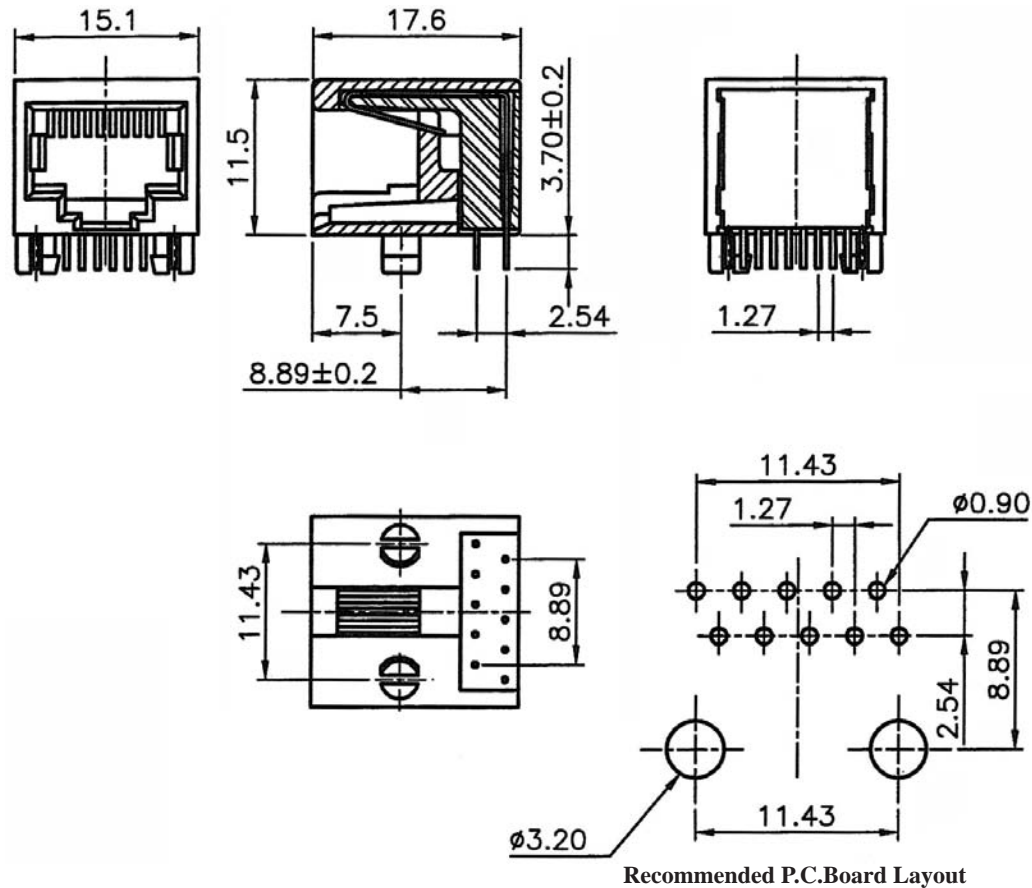
SIDE ENTRY MODULAR PCB JACK WITH ROUND PINS 10P PROFILE=11.50MM (UNSHIELDED)

SPECIFICATIONS

Insulation Resistance: 500MΩ Min.
Contact Resistance: 20mΩ Max.
Rating Current: 1.5A Max.
Rating Voltage: 120V AC.
Dielectric Voltage: 1000 Vrms 60 Sec. Min.
Temperature Range: -40°C / +85°C
Durability: 500 Mating cycles Min.

MATERIALS

Housing: PBT Glass Filled (UL 94V-0)
Soldering Temperature: 235°C
Color: Black
Spring Wire: Phosphor Bronze
 Gold plating Over Nickel
All materials must be RoHS compliant.



ORDERING INFORMATION:

P/N MJ73 - $\frac{x \times x \times B}{1 \ 2}$

1. NO. OF POSITIONS & CONTACTS:

"00" 10P10C
 "08" 10P8C

2. CONTACT FINISH:

"A" 6 MICROINCH GOLD
 "B" 15 MICROINCH GOLD
 "C" 30 MICROINCH GOLD
 "D" 50 MICROINCH GOLD