

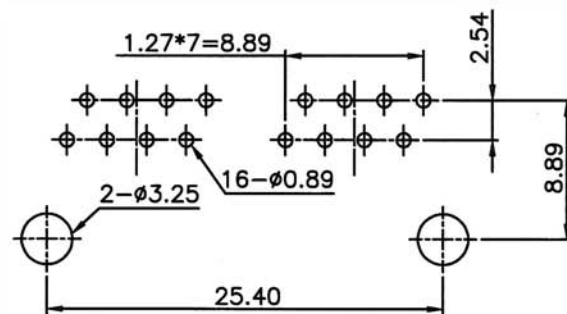
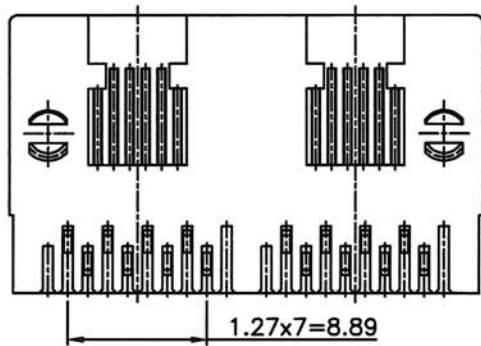
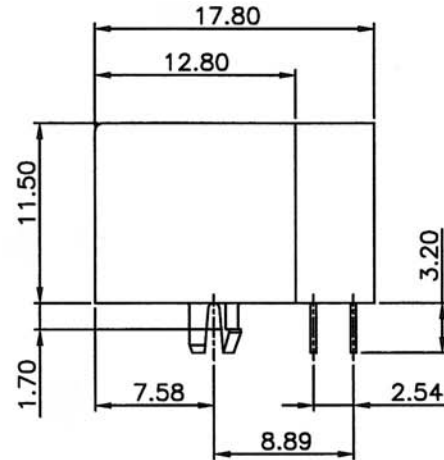
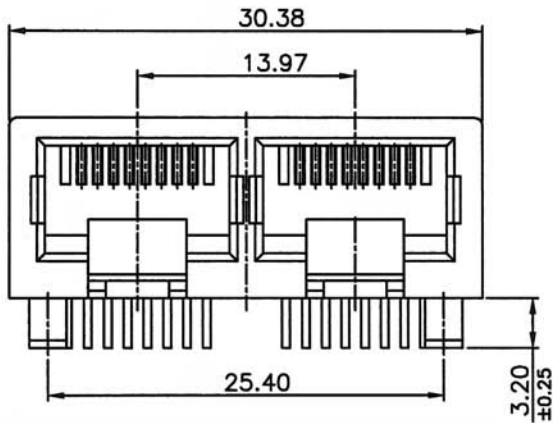
## SIDE ENTRY 2-PORT MODULAR PCB JACK 8P PROFILE=11.50MM (UNSHIELDED)

### SPECIFICATIONS

**Insulation Resistance:** 500MΩ Min.  
**Contact Resistance:** 20mΩ Max.  
**Rating Current:** 1.5A Max.  
**Rating Voltage:** 120V AC.  
**Dielectric Voltage:** 1000 Vrms 60 Sec. Min.  
**Temperature Range:** -40°C / +85°C  
**Durability:** 500 Mating cycles Min.

### MATERIALS

**Housing:** PBT Glass Filled (UL 94V-0)  
**Soldering Temperature:** 235°C  
**Color:** Black  
**Spring Wire:** Phosphor Bronze  
 Gold plating Over Nickel  
**All materials must be RoHS compliant.**



Recommended P.C. Board Layout  
(TOP VIEW)

### ORDERING INFORMATION:

P/N M J 2 N -  $\frac{x}{1} \frac{x}{2} \frac{x}{3}$  B 0 2

1. NO. OF POSITIONS & CONTACTS:  
 "88" 8P8C  
 "84" 8P4C
2. CONTACT FINISH:  
 "A" 6 MICROINCH GOLD  
 "B" 15 MICROINCH GOLD  
 "C" 30 MICROINCH GOLD  
 "D" 50 MICROINCH GOLD
3. NO. OF PORTS:  
 02

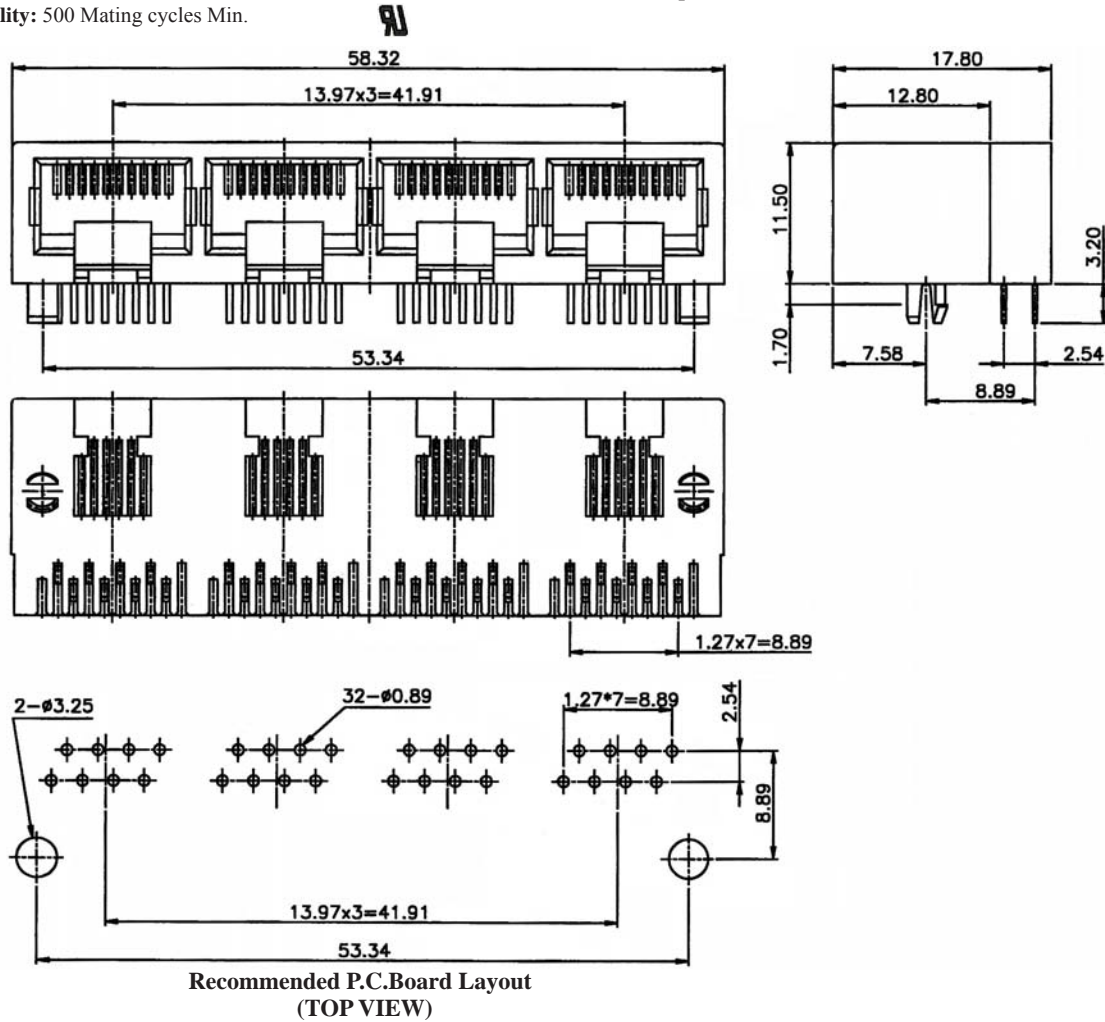
## SIDE ENTRY 4-PORT MODULAR PCB JACK 8P PROFILE=11.50MM (UNSHIELDED)

### SPECIFICATIONS

**Insulation Resistance:** 500MΩ Min.  
**Contact Resistance:** 20mΩ Max.  
**Rating Current:** 1.5A Max.  
**Rating Voltage:** 120V AC.  
**Dielectric Voltage:** 1000 Vrms 60 Sec. Min.  
**Temperature Range:** -40°C / +85°C  
**Durability:** 500 Mating cycles Min.

### MATERIALS

**Housing:** PBT Glass Filled (UL 94V-0)  
**Soldering Temperature:** 235°C  
**Color:** Black  
**Spring Wire:** Phosphor Bronze  
 Gold plating Over Nickel  
**All materials must be RoHS compliant.**



### ORDERING INFORMATION:

P/N M J 2 N -  $\frac{x}{1} \frac{x}{2} \frac{x}{3}$  B 0 4

1. NO. OF POSITIONS & CONTACTS:  
 "88" 8P8C  
 "84" 8P4C
2. CONTACT FINISH:  
 "A" 6 MICROINCH GOLD  
 "B" 15 MICROINCH GOLD  
 "C" 30 MICROINCH GOLD  
 "D" 50 MICROINCH GOLD
3. NO. OF PORTS:  
 04

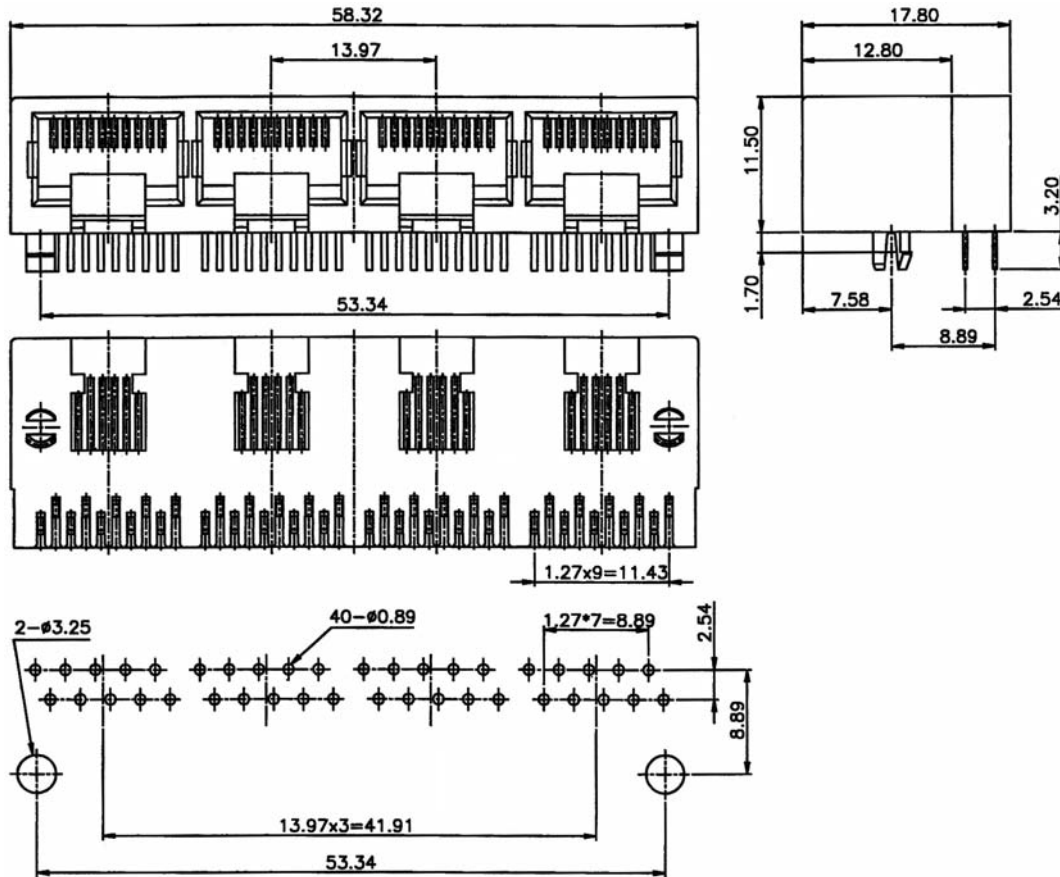
## SIDE ENTRY MODULAR PCB JACK 10P PROFILE=11.50MM (UNSHIELDED)

### SPECIFICATIONS

**Insulation Resistance:** 500MΩ Min.  
**Contact Resistance:** 20mΩ Max.  
**Rating Current:** 1.5A Max.  
**Rating Voltage:** 120V AC.  
**Dielectric Voltage:** 1000 Vrms 60 Sec. Min.  
**Temperature Range:** -40°C / +85°C  
**Durability:** 500 Mating cycles Min.

### MATERIALS

**Housing:** PBT Glass Filled (UL 94V-0)  
**Soldering Temperature:** 235°C  
**Color:** Black  
**Spring Wire:** Phosphor Bronze  
 Gold plating Over Nickel  
**All materials must be RoHS compliant.**



Recommended P.C.Board Layout  
(TOP VIEW)

### ORDERING INFORMATION:

P/N M J 2 N -  $\frac{x}{1} \frac{x}{2} \frac{x}{3} B 04$

1. NO. OF POSITIONS & CONTACTS:
  - "00" 10P10C
  - "08" 10P8C
2. CONTACT FINISH:
  - "A" 6 MICROINCH GOLD
  - "B" 15 MICROINCH GOLD
  - "C" 30 MICROINCH GOLD
  - "D" 50 MICROINCH GOLD
3. NO. OF PORTS:
  - 04