

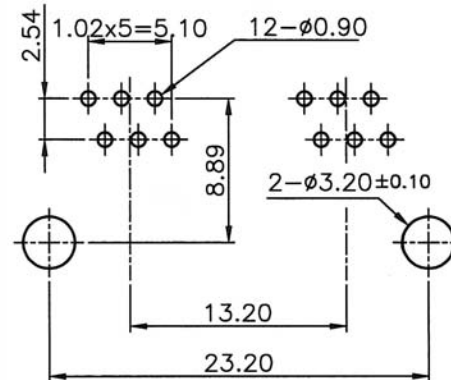
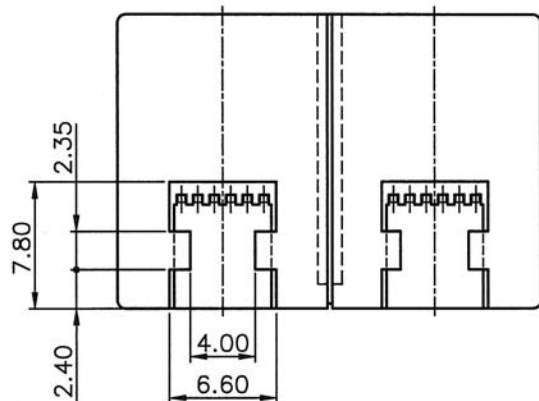
SIDE ENTRY 2-PORT UP LATCH MODULAR PCB JACK 6P PROFILE=11.50MM (UNSHIELDED)

SPECIFICATIONS

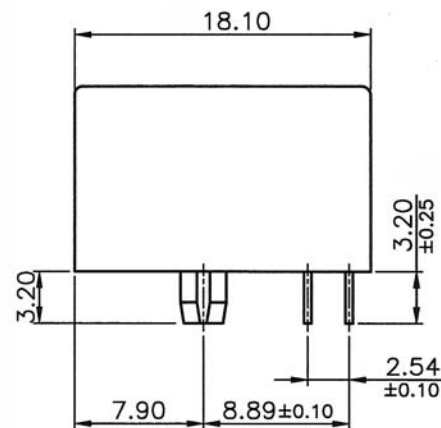
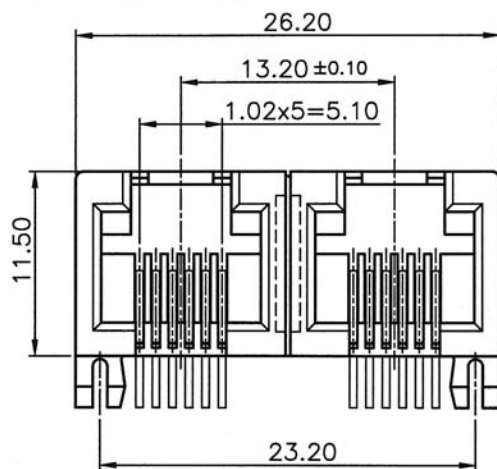
Insulation Resistance: 500MΩ Min.
Contact Resistance: 20mΩ Max.
Rating Current: 1.5A Max.
Rating Voltage: 120V AC.
Dielectric Voltage: 1000 Vrms 60 Sec. Min.
Temperature Range: -40°C / +85°C
Durability: 500 Mating cycles Min.

MATERIALS

Housing: PBT Glass Filled (UL 94V-0)
Soldering Temperature: 235°C
Color: Black
Spring Wire: Phosphor Bronze
 Gold plating Over Nickel
All materials must be RoHS compliant.



Recommended P.C. Board Layout
(TOP VIEW)



ORDERING INFORMATION:

P/N MJ3W - $\frac{x}{1}$ $\frac{x}{2}$ $\frac{x}{3}$ B $\frac{0}{2}$

1. NO. OF POSITIONS & CONTACTS:

"66" 6P6C
"64" 6P4C

2. CONTACT FINISH:

"A" 6 MICROINCH GOLD
"B" 15 MICROINCH GOLD
"C" 30 MICROINCH GOLD
"D" 50 MICROINCH GOLD
"E" GOLD FLASH

3. NO. OF PORTS:

02