

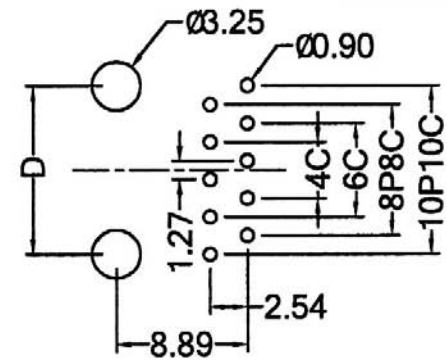
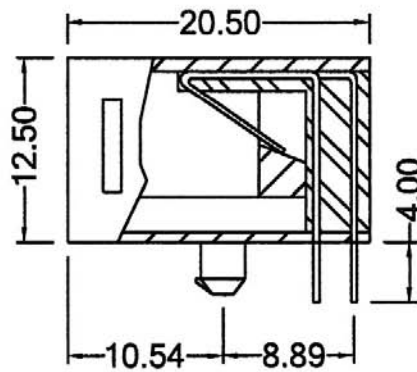
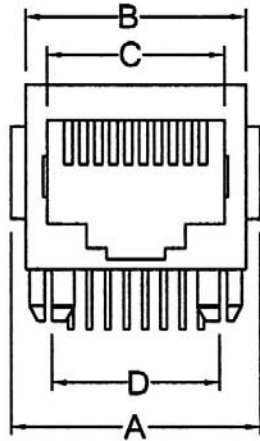
SIDE ENTRY MODULAR PCB JACK 4P+6P+8P+10P PROFILE=12.50MM (UNSHIELDED)

SPECIFICATIONS

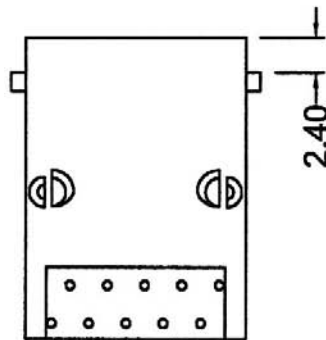
Insulation Resistance: 500MΩ Min.
Contact Resistance: 20mΩ Max.
Rating Current: 1.5A Max.
Rating Voltage: 120V AC.
Dielectric Voltage: 1000 Vrms 60 Sec. Min.
Temperature Range: -40°C / +85°C
Durability: 500 Mating cycles Min.

MATERIALS

Housing: PBT Glass Filled (UL 94V-0)
Soldering Temperature: 235°C
Color: Black
Spring Wire: Phosphor Bronze
 Gold plating Over Nickel
All materials must be RoHS compliant.



Recommended P.C. Board Layout
(TOP VIEW)



No. of Positions	No. of Contacts	A	B	C	D
4P	4C	13.50	11.20	7.95	7.62
6P	2C/4C/6C	15.60	13.20	10.00	10.16
8P	4C/6C/8C	17.60	15.00	12.00	11.43
10P	10C	17.60	15.00	12.00	11.43

ORDERING INFORMATION:

P/N M J $\frac{x x}{1} - \frac{x x x}{2 3} B$

- PANEL STOP OPTION:
 "09" WITH PANEL STOP
 "10" W/O PANEL STOP
- NO. OF POSITIONS & CONTACTS:
 "66" 6P6C
 "64" 6P4C
 "88" 8P8C
 "00" 10P10C
 "44" 4P4C
- CONTACT FINISH:
 "A" 6 MICROINCH GOLD
 "B" 15 MICROINCH GOLD
 "C" 30 MICROINCH GOLD
 "D" 50 MICROINCH GOLD