

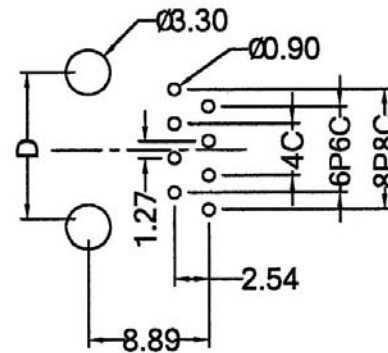
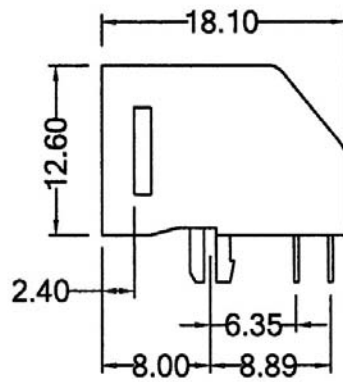
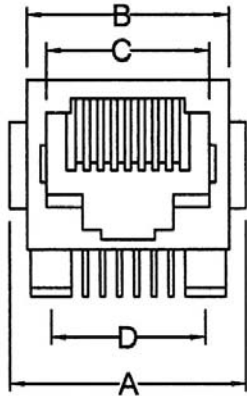
SIDE ENTRY MODULAR PCB JACK 6P+8P PROFILE=12.57MM (UNSHIELDED)

SPECIFICATIONS

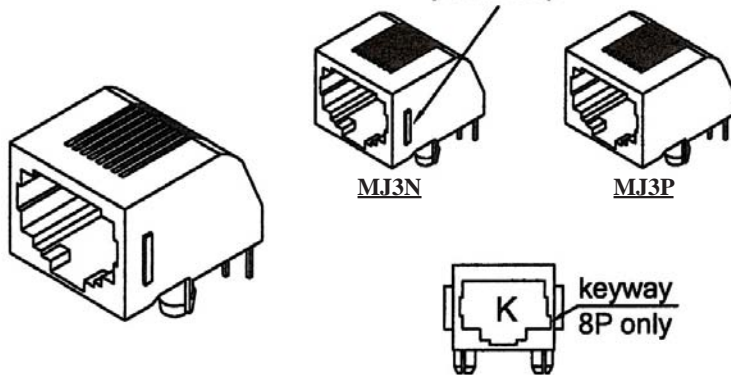
Insulation Resistance: 500MΩ Min.
Contact Resistance: 20mΩ Max.
Rating Current: 1.5A Max.
Rating Voltage: 120V AC.
Dielectric Voltage: 1000 Vrms 60 Sec. Min.
Temperature Range: -40°C / +85°C
Durability: 500 Mating cycles Min.

MATERIALS

Housing: PBT Glass Filled (UL 94V-0)
Soldering Temperature: 235°C
Color: Black
Spring Wire: Phosphor Bronze
 Gold plating Over Nickel
All materials must be RoHS compliant.

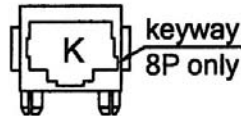


Recommended P.C. Board Layout
(TOP VIEW)



MJ3N

MJ3P



No. of Positions	No. of Contacts	A	B	C	D
6P	4C/6C	15.75	13.20	9.90	10.16
8P	8C	17.75	15.20	11.93	11.43

ORDERING INFORMATION:

P/N M J $\frac{x}{1}$ - $\frac{x}{2}$ $\frac{x}{3}$ B $\frac{x}{4}$

1. PANEL STOP OPTION:

"3N" WITH PANEL STOP
"3P" W/O PANEL STOP

2. NO. OF POSITIONS & CONTACTS:

"66" 6P6C
"64" 6P4C
"88" 8P8C

3. CONTACT FINISH:

"A" 6 MICROINCH GOLD
"B" 15 MICROINCH GOLD
"C" 30 MICROINCH GOLD
"D" 50 MICROINCH GOLD

4. KEYWAY OPTION:

" " W/O KEYWAY
"K" WITH KEYWAY