

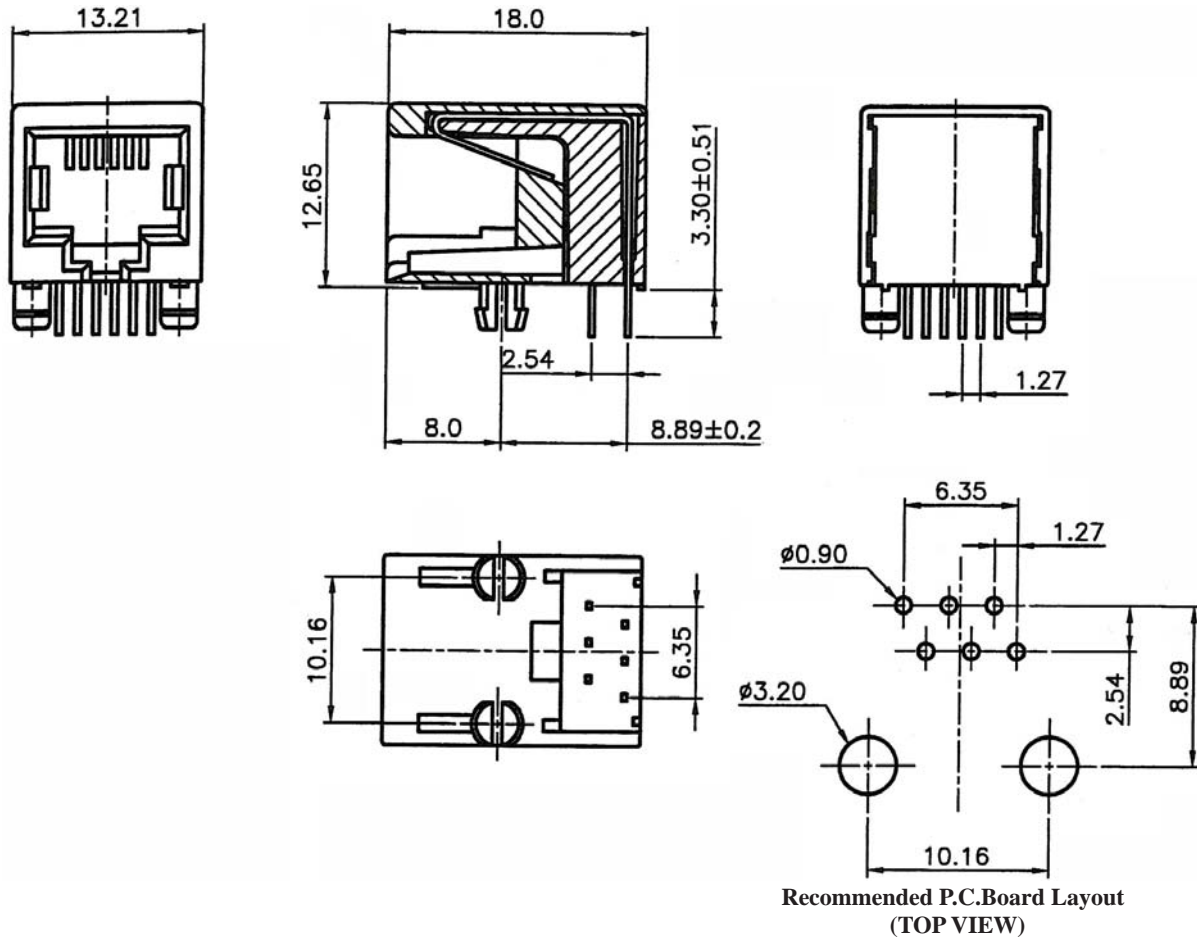
## SIDE ENTRY MODULAR PCB JACK 6P PROFILE=12.65MM (UNSHIELDED)

### SPECIFICATIONS

**Insulation Resistance:** 500MΩ Min.  
**Contact Resistance:** 20mΩ Max.  
**Rating Current:** 1.5A Max.  
**Rating Voltage:** 120V AC.  
**Dielectric Voltage:** 1000 Vrms 60 Sec. Min.  
**Temperature Range:** -40°C / +85°C  
**Durability:** 500 Mating cycles Min.

### MATERIALS

**Housing:** PBT Glass Filled (UL 94V-0)  
**Soldering Temperature:** 235°C  
**Color:** Black  
**Spring Wire:** Phosphor Bronze  
 Gold plating Over Nickel  
**All materials must be RoHS compliant.**



### ORDERING INFORMATION:

P/N M J 4 H -  $\frac{x \times x \times B}{T \ 2}$

1. NO. OF POSITIONS & CONTACTS:  
 "66" 6P6C  
 "64" 6P4C
2. CONTACT FINISH:  
 "A" 6 MICROINCH GOLD  
 "B" 15 MICROINCH GOLD  
 "C" 30 MICROINCH GOLD  
 "D" 50 MICROINCH GOLD