

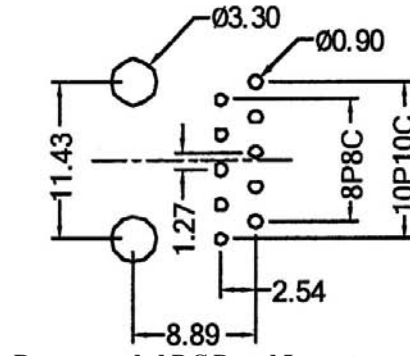
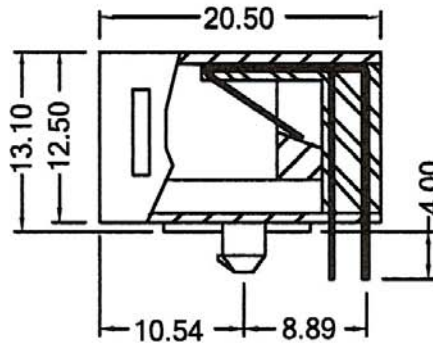
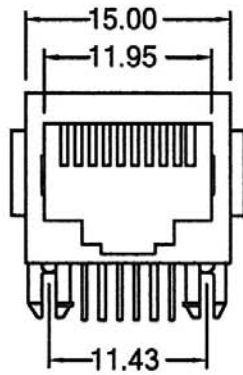
## SIDE ENTRY MODULAR PCB JACK 8P+10P PROFILE=13.10MM (UNSHIELDED)

### SPECIFICATIONS

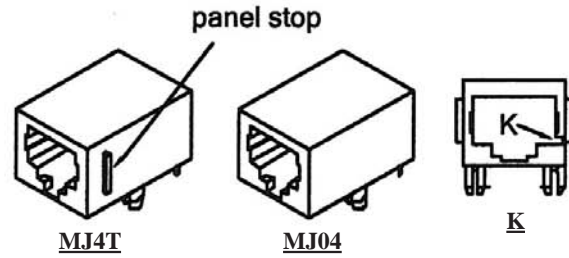
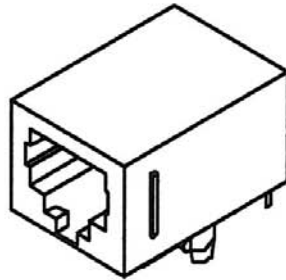
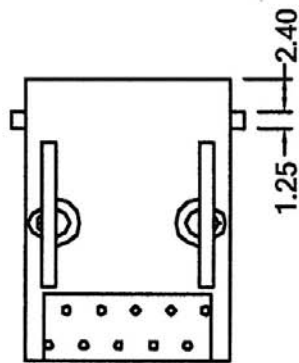
**Insulation Resistance:** 500MΩ Min.  
**Contact Resistance:** 20mΩ Max.  
**Rating Current:** 1.5A Max.  
**Rating Voltage:** 120V AC.  
**Dielectric Voltage:** 1000 Vrms 60 Sec. Min.  
**Temperature Range:** -40°C / +85°C  
**Durability:** 500 Mating cycles Min.

### MATERIALS

**Housing:** PBT Glass Filled (UL 94V-0)  
**Soldering Temperature:** 235°C  
**Color:** Black  
**Spring Wire:** Phosphor Bronze  
 Gold plating Over Nickel  
**All materials must be RoHS compliant.**



Recommended P.C. Board Layout  
(TOP VIEW)



### ORDERING INFORMATION:

P/N MJ  $\frac{1}{x x}$  -  $\frac{2}{x x x}$  B  $\frac{3}{x}$   $\frac{4}{x}$

#### 1. PANEL STOP OPTION:

"4T" WITH PANEL STOP  
"04" W/O PANEL STOP

#### 2. NO. OF POSITIONS & CONTACTS:

"88" 8P8C  
"00" 10P10C

#### 3. CONTACT FINISH:

"A" 6 MICROINCH GOLD  
"B" 15 MICROINCH GOLD  
"C" 30 MICROINCH GOLD  
"D" 50 MICROINCH GOLD

#### 4. KEYWAY OPTION:

" " W/O KEYWAY  
"K" WITH KEYWAY