

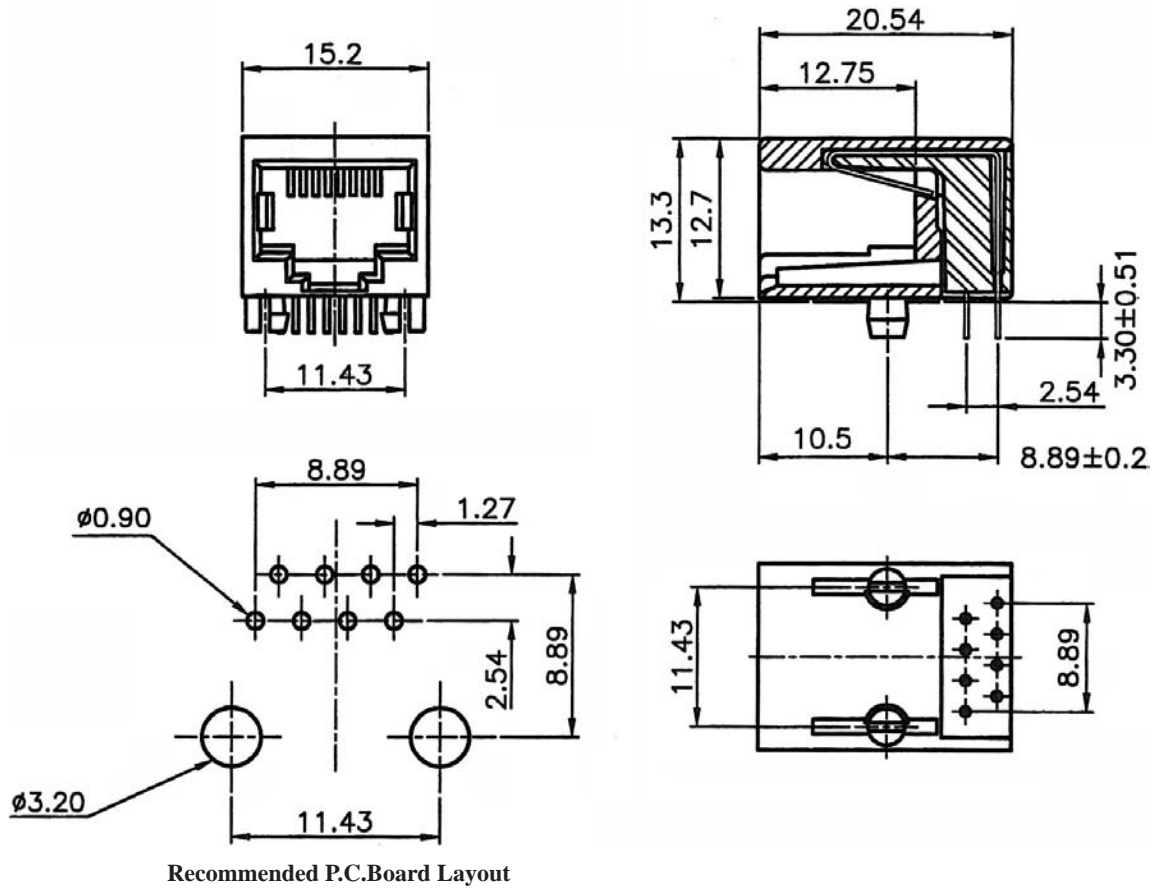
SIDE ENTRY MODULAR PCB JACK 8P PROFILE=13.30MM (UNSHIELDED)

SPECIFICATIONS

Insulation Resistance: 500MΩ Min.
Contact Resistance: 20mΩ Max.
Rating Current: 1.5A Max.
Rating Voltage: 120V AC.
Dielectric Voltage: 1000 Vrms 60 Sec. Min.
Temperature Range: -40°C / +85°C
Durability: 500 Mating cycles Min.

MATERIALS

Housing: PBT Glass Filled (UL 94V-0)
Soldering Temperature: 235°C
Color: Black
Spring Wire: Phosphor Bronze
 Gold plating Over Nickel
All materials must be RoHS compliant.



ORDERING INFORMATION:

P/N M J $\frac{x}{1} - \frac{x}{2} \frac{x}{3}$ B

1. TYPE OF CONTACTS:
 "39" 0.46MM ROUND PINS
 "04" 0.35MM STAMPED PINS
2. NO. OF POSITIONS & CONTACTS:
 "88" 8P8C
 "84" 8P4C
3. CONTACT FINISH:
 "A" 6 MICROINCH GOLD
 "B" 15 MICROINCH GOLD
 "C" 30 MICROINCH GOLD
 "D" 50 MICROINCH GOLD

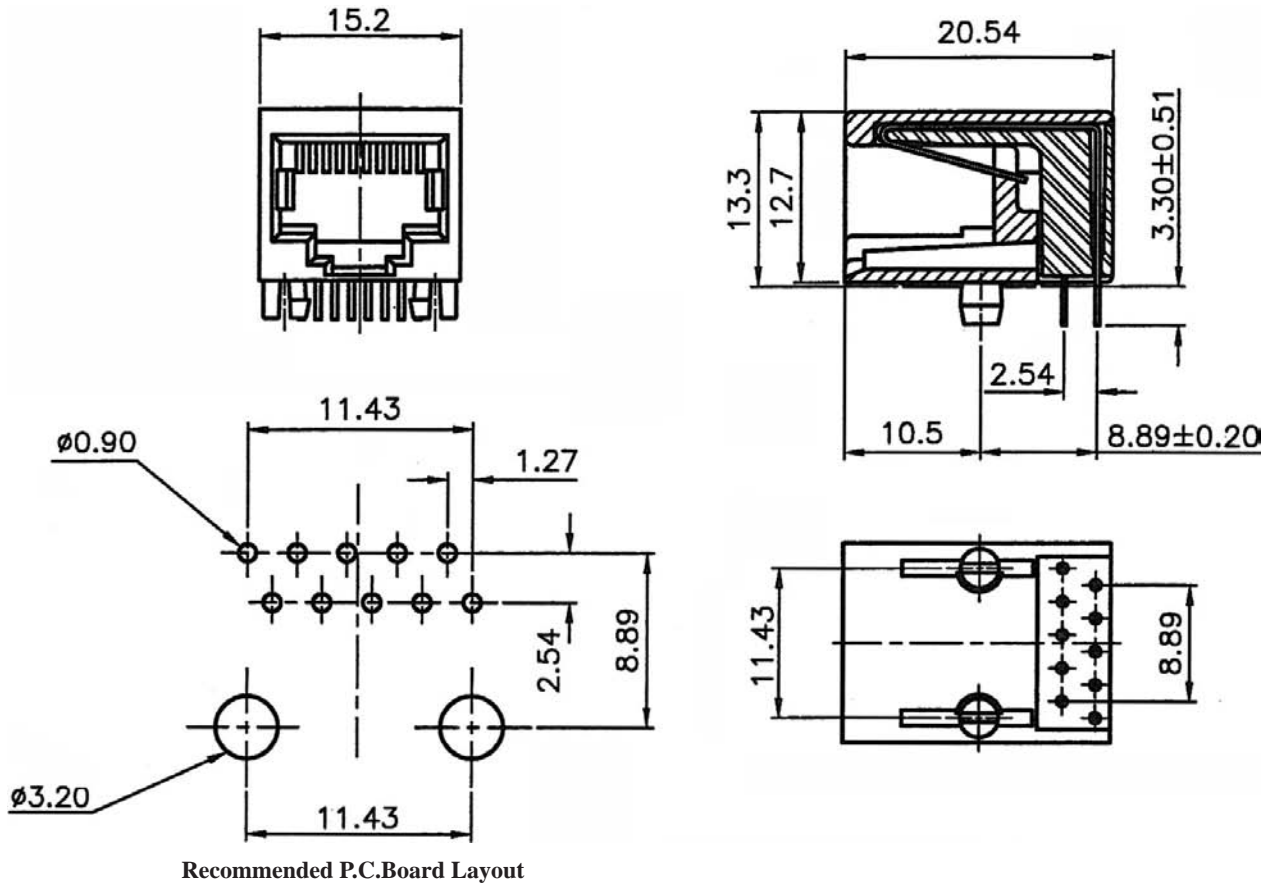
SIDE ENTRY MODULAR PCB JACK 10P PROFILE=13.30MM (UNSHIELDED)

SPECIFICATIONS

Insulation Resistance: 500MΩ Min.
Contact Resistance: 20mΩ Max.
Rating Current: 1.5A Max.
Rating Voltage: 120V AC.
Dielectric Voltage: 1000 Vrms 60 Sec. Min.
Temperature Range: -40°C / +85°C
Durability: 500 Mating cycles Min.

MATERIALS

Housing: PBT Glass Filled (UL 94V-0)
Soldering Temperature: 235°C
Color: Black
Spring Wire: Phosphor Bronze
 Gold plating Over Nickel
All materials must be RoHS compliant.



ORDERING INFORMATION:

P/N M J $\frac{xx}{1} - \frac{xxx}{2} \frac{x}{3} B$

1. TYPE OF CONTACTS:
 "39" 0.46MM ROUND PINS
 "04" 0.35MM STAMPED PINS
2. NO. OF POSITIONS & CONTACTS:
 "00" 10P10C
 "08" 10P8C
3. CONTACT FINISH:
 "A" 6 MICROINCH GOLD
 "B" 15 MICROINCH GOLD
 "C" 30 MICROINCH GOLD
 "D" 50 MICROINCH GOLD