

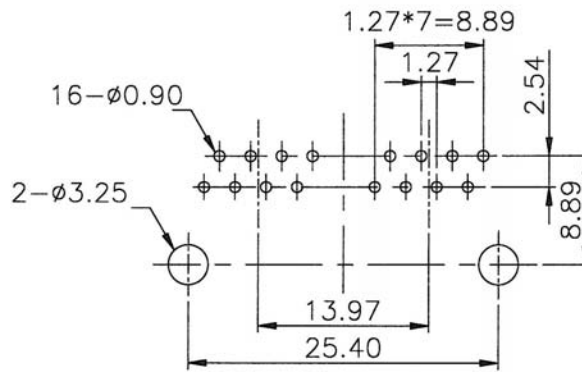
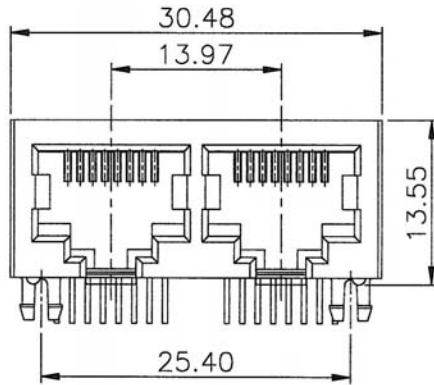
## SIDE ENTRY 2-PORT MODULAR PCB JACK 8P PROFILE=13.55MM (UNSHIELDED)

### SPECIFICATIONS

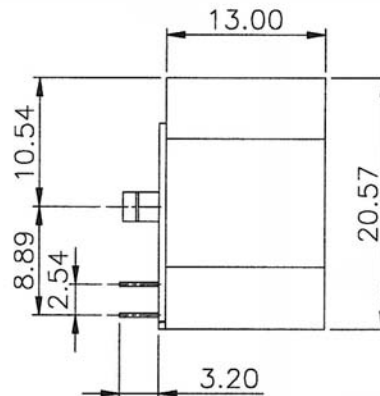
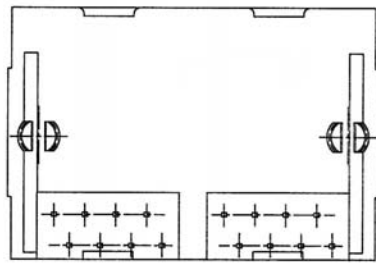
**Insulation Resistance:** 500MΩ Min.  
**Contact Resistance:** 20mΩ Max.  
**Rating Current:** 1.5A Max.  
**Rating Voltage:** 120V AC.  
**Dielectric Voltage:** 1000 Vrms 60 Sec. Min.  
**Temperature Range:** -40°C / +85°C  
**Durability:** 500 Mating cycles Min.

### MATERIALS

**Housing:** PBT Glass Filled (UL 94V-0)  
**Soldering Temperature:** 235°C  
**Color:** Black  
**Spring Wire:** Phosphor Bronze  
 Gold plating Over Nickel  
**All materials must be RoHS compliant.**



Recommended P.C. Board Layout  
(TOP VIEW)



### ORDERING INFORMATION:

P/N MJ 2 3 -  $\frac{x}{1} \frac{x}{2} \frac{x}{3}$  B  $\frac{0}{2}$

1. NO. OF POSITIONS & CONTACTS:  
"88" 8P8C
2. CONTACT FINISH:  
"A" 6 MICROINCH GOLD  
"B" 15 MICROINCH GOLD  
"C" 30 MICROINCH GOLD  
"D" 50 MICROINCH GOLD
3. NO. OF PORTS:  
02

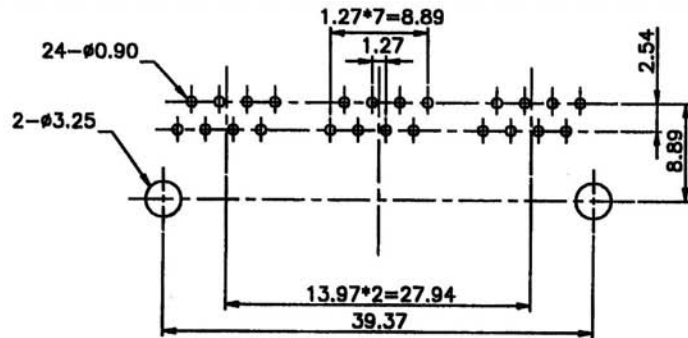
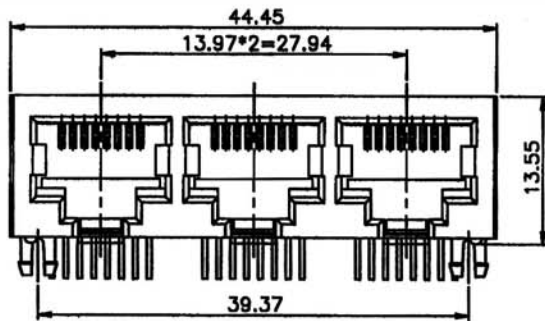
## SIDE ENTRY 3-PORT MODULAR PCB JACK 8P PROFILE=13.55MM (UNSHIELDED)

### SPECIFICATIONS

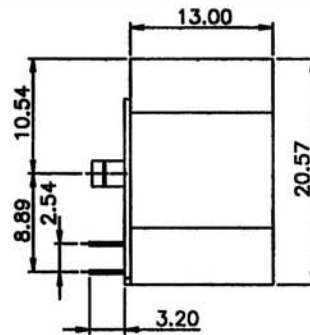
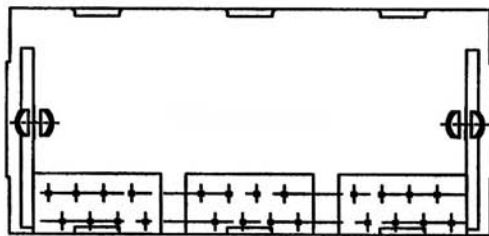
**Insulation Resistance:** 500MΩ Min.  
**Contact Resistance:** 20mΩ Max.  
**Rating Current:** 1.5A Max.  
**Rating Voltage:** 120V AC.  
**Dielectric Voltage:** 1000 Vrms 60 Sec. Min.  
**Temperature Range:** -40°C / +85°C  
**Durability:** 500 Mating cycles Min.

### MATERIALS

**Housing:** PBT Glass Filled (UL 94V-0)  
**Soldering Temperature:** 235°C  
**Color:** Black  
**Spring Wire:** Phosphor Bronze  
 Gold plating Over Nickel  
**All materials must be RoHS compliant.**



Recommended P.C.Board Layout (TOP VIEW)



### ORDERING INFORMATION:

P/N MJ 23 -  $\frac{x}{1} \frac{x}{2} \frac{x}{3} B \frac{0}{3}$

1. NO. OF POSITIONS & CONTACTS:  
"88" 8P8C
2. CONTACT FINISH:  
"A" 6 MICROINCH GOLD  
"B" 15 MICROINCH GOLD  
"C" 30 MICROINCH GOLD  
"D" 50 MICROINCH GOLD
3. NO. OF PORTS:  
03

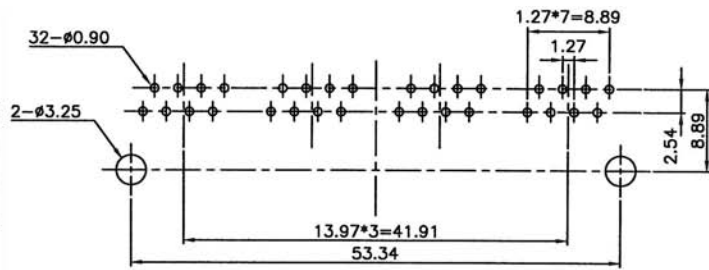
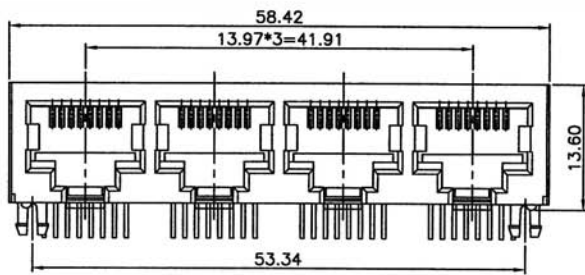
## SIDE ENTRY 4-PORT MODULAR PCB JACK 8P PROFILE=13.55MM (UNSHIELDED)

### SPECIFICATIONS

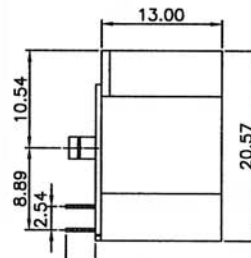
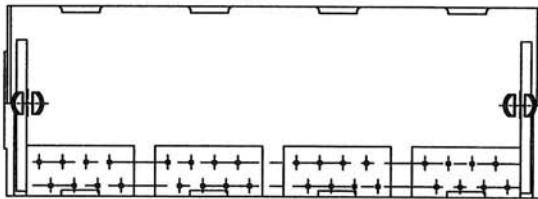
**Insulation Resistance:** 500M $\Omega$  Min.  
**Contact Resistance:** 20m $\Omega$  Max.  
**Rating Current:** 1.5A Max.  
**Rating Voltage:** 120V AC.  
**Dielectric Voltage:** 1000 Vrms 60 Sec. Min.  
**Temperature Range:** -40 $^{\circ}$ c / +85 $^{\circ}$ c  
**Durability:** 500 Mating cycles Min.

### MATERIALS

**Housing:** PBT Glass Filled (UL 94V-0)  
**Soldering Temperature:** 235 $^{\circ}$ c  
**Color:** Black  
**Spring Wire:** Phosphor Bronze  
 Gold plating Over Nickel  
**All materials must be RoHS compliant.**



Recommended P.C.Board Layout  
(TOP VIEW)



### ORDERING INFORMATION:

P/N M J 2 3 -  $\frac{x}{1}$   $\frac{x}{2}$   $\frac{x}{3}$  B 0 4

1. NO. OF POSITIONS & CONTACTS:  
"88" 8P8C
2. CONTACT FINISH:  
"A" 6 MICROINCH GOLD  
"B" 15 MICROINCH GOLD  
"C" 30 MICROINCH GOLD  
"D" 50 MICROINCH GOLD
3. NO. OF PORTS:  
04

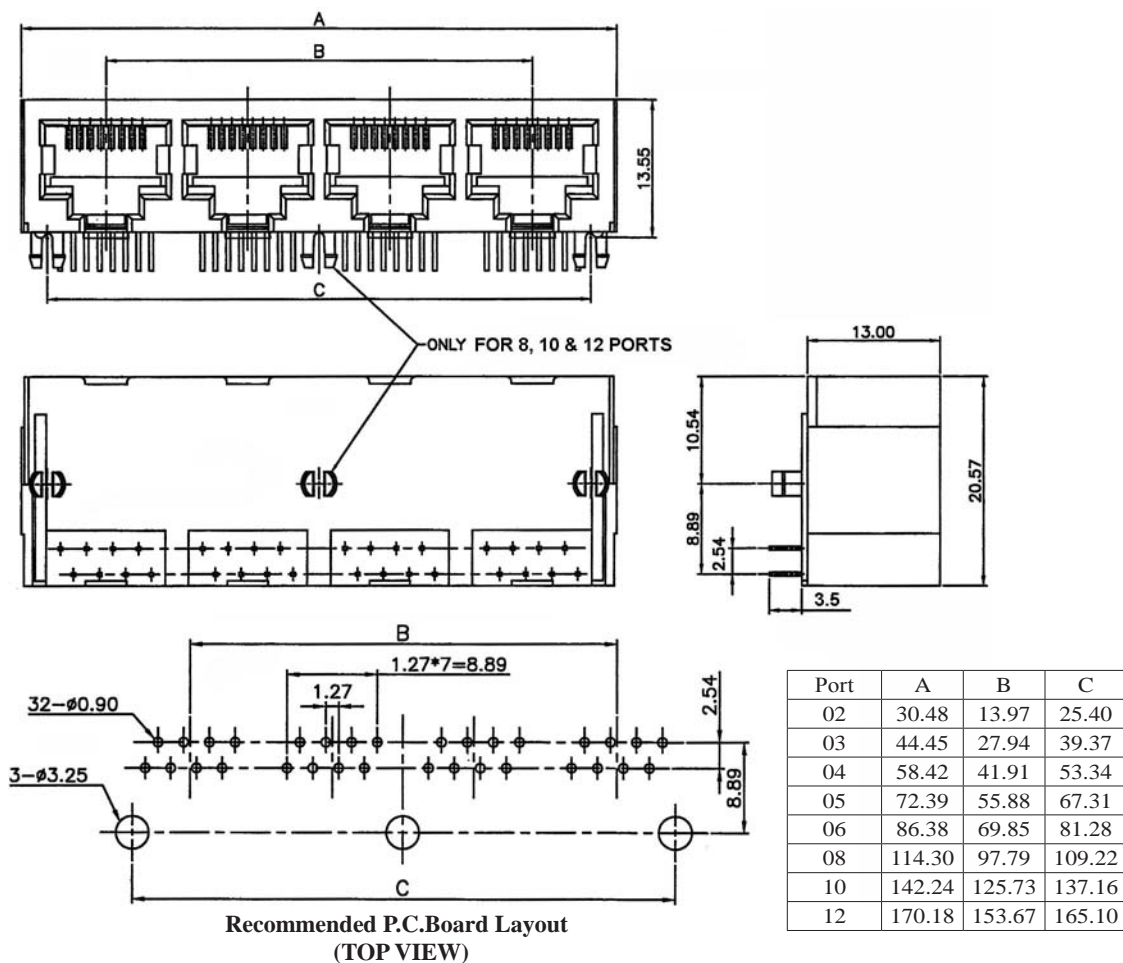
## SIDE ENTRY MULTI-PORT MODULAR PCB JACK 8P PROFILE=13.55MM (UNSHIELDED)

### SPECIFICATIONS

**Insulation Resistance:** 500MΩ Min.  
**Contact Resistance:** 20mΩ Max.  
**Rating Current:** 1.5A Max.  
**Rating Voltage:** 120V AC.  
**Dielectric Voltage:** 1000 Vrms 60 Sec. Min.  
**Temperature Range:** -40°C / +85°C  
**Durability:** 500 Mating cycles Min.

### MATERIALS

**Housing:** PBT Glass Filled (UL 94V-0)  
**Soldering Temperature:** 235°C  
**Color:** Black  
**Spring Wire:** Phosphor Bronze  
 Gold plating Over Nickel  
**All materials must be RoHS compliant.**



### ORDERING INFORMATION:

P/N M J 2 3 -  $\frac{x}{1} \frac{x}{2} \frac{x}{3} B \frac{x}{3}$

#### 1. NO. OF POSITIONS & CONTACTS:

"88" 8P8C  
"84" 8P4C

#### 2. CONTACT FINISH:

"A" 6 MICROINCH GOLD  
"B" 15 MICROINCH GOLD  
"C" 30 MICROINCH GOLD  
"D" 50 MICROINCH GOLD

#### 3. NO. OF PORTS:

02, 03, 04, 05, 06, 08, 10, 12