

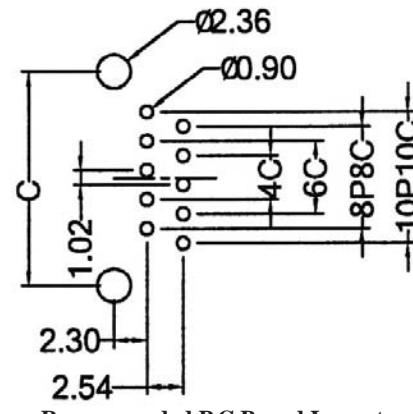
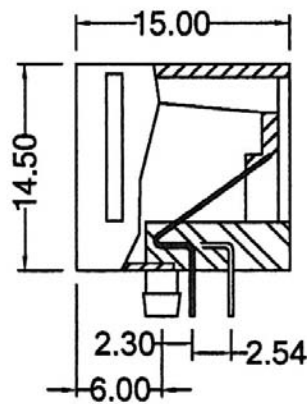
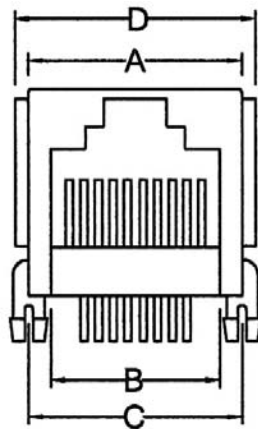
SIDE ENTRY UP LATCH MODULAR PCB JACK 4P+6P+8P+10P PROFILE=14.50MM (UNSHIELDED)

SPECIFICATIONS

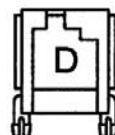
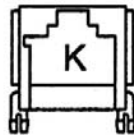
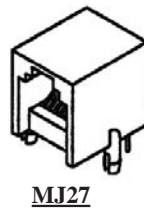
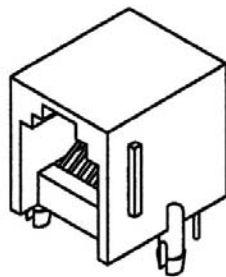
Insulation Resistance: 500MΩ Min.
Contact Resistance: 20mΩ Max.
Rating Current: 1.5A Max.
Rating Voltage: 120V AC.
Dielectric Voltage: 1000 Vrms 60 Sec. Min.
Temperature Range: -40°C / +85°C
Durability: 500 Mating cycles Min.

MATERIALS

Housing: PBT Glass Filled (UL 94V-0)
Soldering Temperature: 235°C
Color: Black & Gray
Spring Wire: Phosphor Bronze
 Gold plating Over Nickel
All materials must be RoHS compliant.



Recommended P.C. Board Layout (TOP VIEW)



No. of Positions	No. of Contacts	A	B	C	D
(6P)4P	4C	12.20	7.85	12.00	14.20
6P	2C/4C/6C	12.20	9.90	12.00	14.20
8P	8C	15.00	11.85	15.00	16.90
10P	10C	15.00	11.85	15.00	16.90

ORDERING INFORMATION:

P/N MJ $\frac{xx}{1} - \frac{xxxxx}{2345}$

1. PANEL STOP OPTION:

"26" WITH PANEL STOP
 "27" W/O PANEL STOP

2. NO. OF POSITIONS & CONTACTS:

"66" 6P6C
 "64" 6P4C
 "88" 8P8C
 "00" 10P10C
 "44" 4P4C

3. CONTACT FINISH:

"A" 6 MICROINCH GOLD
 "B" 15 MICROINCH GOLD
 "C" 30 MICROINCH GOLD

"D" 50 MICROINCH GOLD

"E" GOLD FLASH

4. HOUSING COLOR:

"B" BLACK
 "A" GRAY

5. KEYWAY & OFFSET OPTION:

" " W/O KEYWAY & W/O OFFSET LATCH
 "K" WITH KEYWAY (8P & 10P)
 "D" WITH OFFSET LATCH (6P ONLY)