

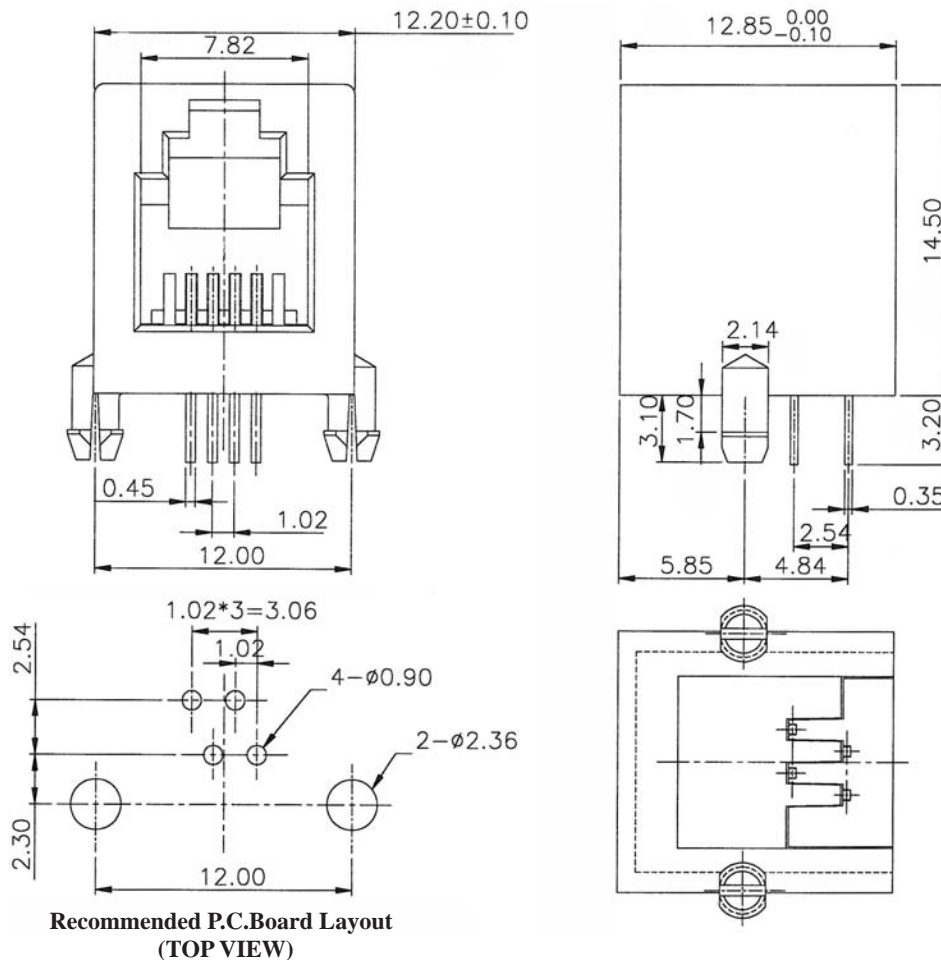
SIDE ENTRY UP LATCH MODULAR PCB JACK 4P PROFILE=14.50MM (UNSHIELDED)

SPECIFICATIONS

Insulation Resistance: 500MΩ Min.
Contact Resistance: 20mΩ Max.
Rating Current: 1.5A Max.
Rating Voltage: 120V AC.
Dielectric Voltage: 1000 Vrms 60 Sec. Min.
Temperature Range: -40°C / +85°C
Durability: 500 Mating cycles Min.

MATERIALS

Housing: PBT Glass Filled (UL 94V-0)
Soldering Temperature: 235°C
Color: Black & Gray
Spring Wire: Phosphor Bronze
 Gold plating Over Nickel
All materials must be RoHS compliant.



ORDERING INFORMATION:

P/N MJ1Q - $\frac{44 \times \times}{T \ 2 \ 3}$

- NO. OF POSITIONS & CONTACTS:
"44" 4P4C
- CONTACT FINISH:
"A" 6 MICROINCH GOLD
"B" 15 MICROINCH GOLD
"C" 30 MICROINCH GOLD
"D" 50 MICROINCH GOLD
"E" GOLD FLASH
- HOUSING COLOR:
"A" GRAY
"B" BLACK

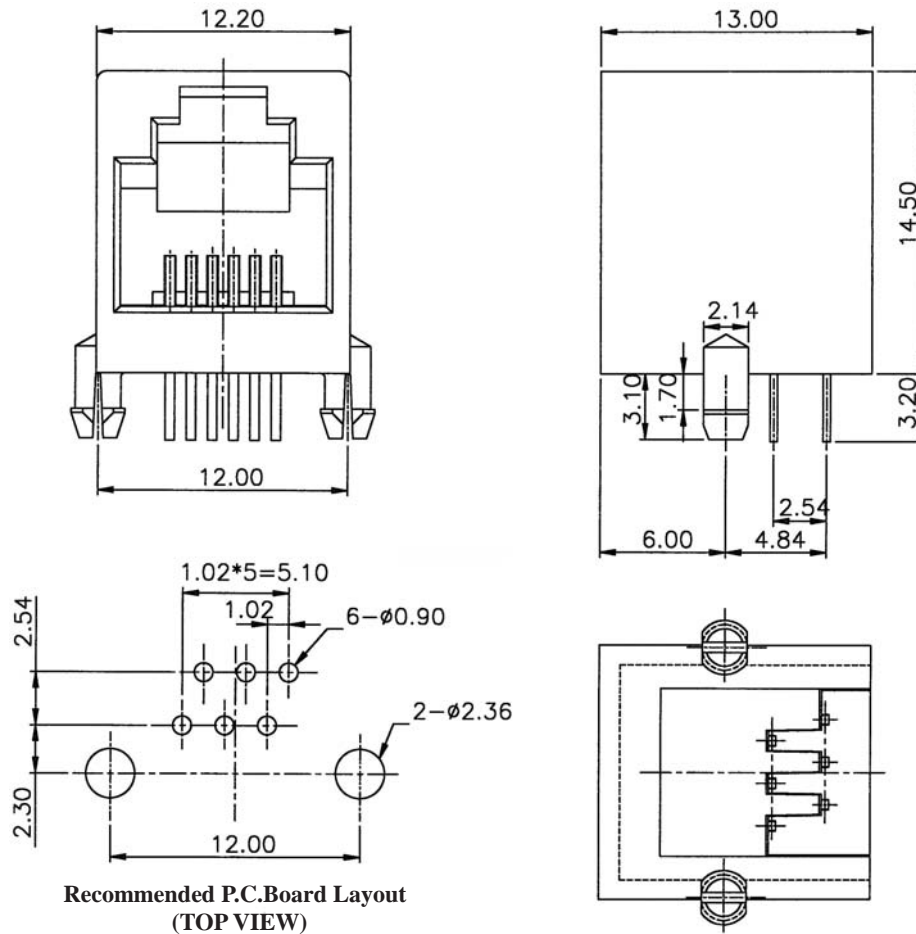
SIDE ENTRY UP LATCH MODULAR PCB JACK 6P PROFILE=14.50MM (UNSHIELDED)

SPECIFICATIONS

Insulation Resistance: 500MΩ Min.
Contact Resistance: 20mΩ Max.
Rating Current: 1.5A Max.
Rating Voltage: 120V AC.
Dielectric Voltage: 1000 Vrms 60 Sec. Min.
Temperature Range: -40°C / +85°C
Durability: 500 Mating cycles Min.

MATERIALS

Housing: PBT Glass Filled (UL 94V-0)
Soldering Temperature: 235°C
Color: Black & Gray
Spring Wire: Phosphor Bronze
 Gold plating Over Nickel
All materials must be RoHS compliant.



ORDERING INFORMATION:

P/N MJ1Q - $\frac{\text{X X X X}}{\text{T 2 3}}$

1. NO. OF POSITIONS & CONTACTS:
 - "66" 6P6C
 - "64" 6P4C
2. CONTACT FINISH:
 - "A" 6 MICROINCH GOLD
 - "B" 15 MICROINCH GOLD
 - "C" 30 MICROINCH GOLD
 - "D" 50 MICROINCH GOLD
 - "E" GOLD FLASH
3. HOUSING COLOR:
 - "A" GRAY
 - "B" BLACK

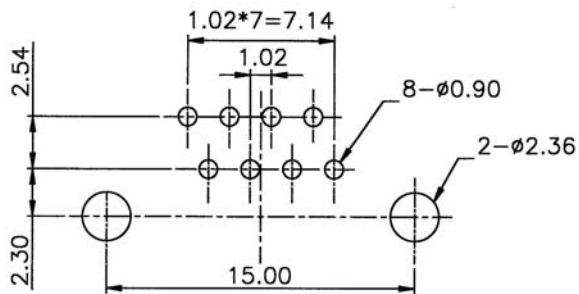
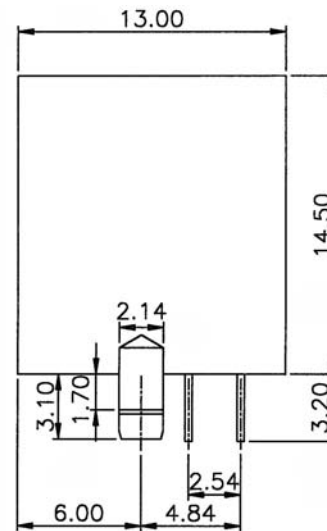
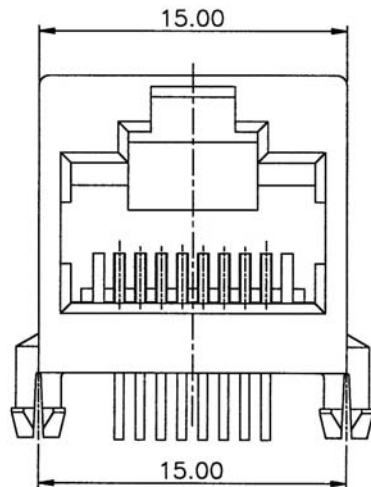
SIDE ENTRY UP LATCH MODULAR PCB JACK 8P PROFILE=14.50MM (UNSHIELDED)

SPECIFICATIONS

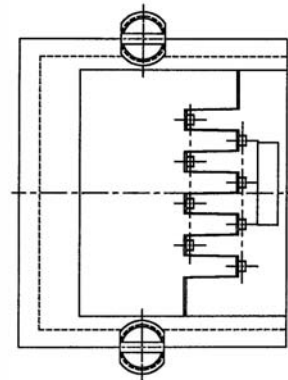
Insulation Resistance: 500MΩ Min.
Contact Resistance: 20mΩ Max.
Rating Current: 1.5A Max.
Rating Voltage: 120V AC.
Dielectric Voltage: 1000 Vrms 60 Sec. Min.
Temperature Range: -40°C / +85°C
Durability: 500 Mating cycles Min.

MATERIALS

Housing: PBT Glass Filled (UL 94V-0)
Soldering Temperature: 235°C
Color: Black & Gray
Spring Wire: Phosphor Bronze
 Gold plating Over Nickel
All materials must be RoHS compliant.



Recommended P.C.Board Layout
(TOP VIEW)



ORDERING INFORMATION:

P/N MJ1Q - $\frac{xx \times x}{T \ 2 \ 3}$

1. NO. OF POSITIONS & CONTACTS:

"88" 8P8C
"84" 8P4C

2. CONTACT FINISH:

"A" 6 MICROINCH GOLD
"B" 15 MICROINCH GOLD
"C" 30 MICROINCH GOLD
"D" 50 MICROINCH GOLD
"E" GOLD FLASH

3. HOUSING COLOR:

"A" GRAY
"B" BLACK

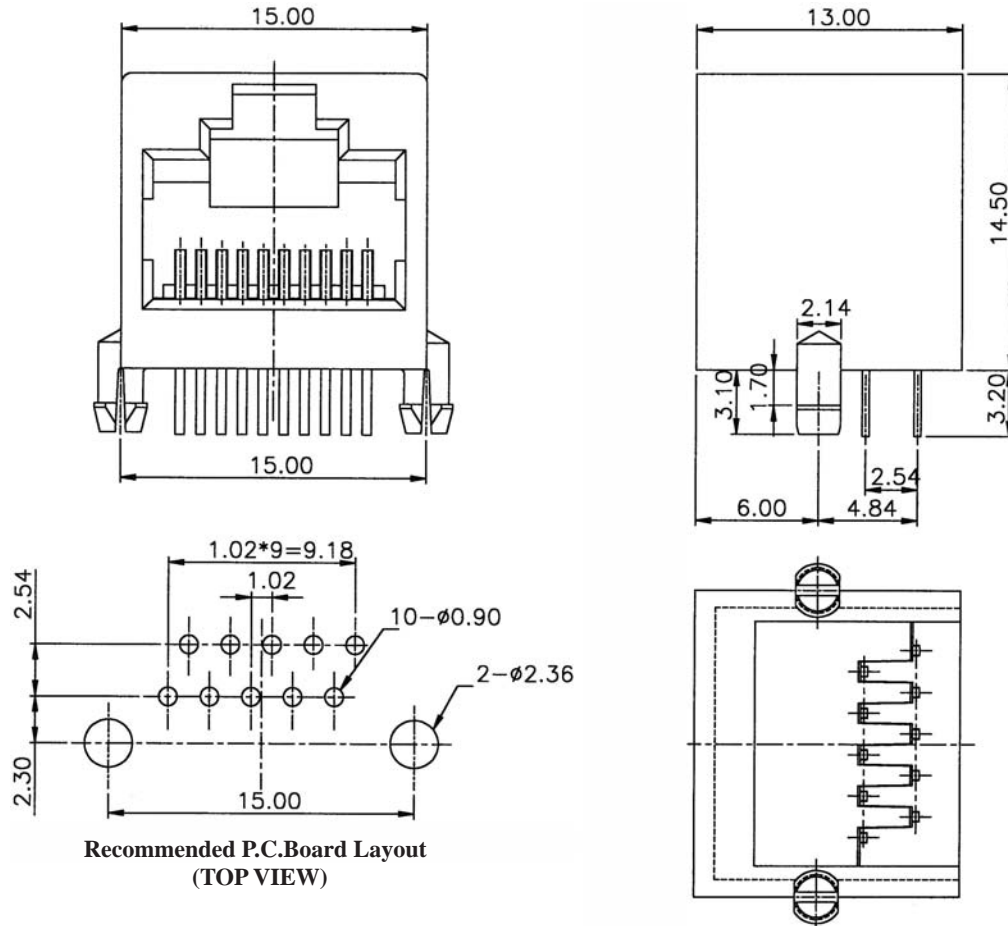
SIDE ENTRY UP LATCH MODULAR PCB JACK 10P PROFILE=14.50MM (UNSHIELDED)

SPECIFICATIONS

Insulation Resistance: 500MΩ Min.
Contact Resistance: 20mΩ Max.
Rating Current: 1.5A Max.
Rating Voltage: 120V AC.
Dielectric Voltage: 1000 Vrms 60 Sec. Min.
Temperature Range: -40°C / +85°C
Durability: 500 Mating cycles Min.

MATERIALS

Housing: PBT Glass Filled (UL 94V-0)
Soldering Temperature: 235°C
Color: Black & Gray
Spring Wire: Phosphor Bronze
 Gold plating Over Nickel
All materials must be RoHS compliant.



ORDERING INFORMATION:

P/N MJ1Q - $\frac{\text{X X X X}}{\text{T 2 3}}$

1. NO. OF POSITIONS & CONTACTS:
 - "00" 10P10C
 - "08" 10P8C
2. CONTACT FINISH:
 - "A" 6 MICROINCH GOLD
 - "B" 15 MICROINCH GOLD
 - "C" 30 MICROINCH GOLD
 - "D" 50 MICROINCH GOLD
 - "E" GOLD FLASH
3. HOUSING COLOR:
 - "A" GRAY
 - "B" BLACK