

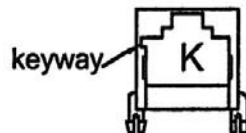
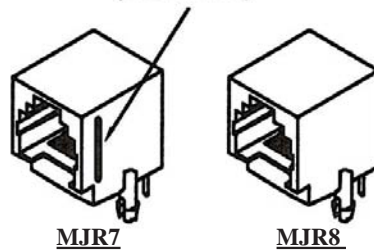
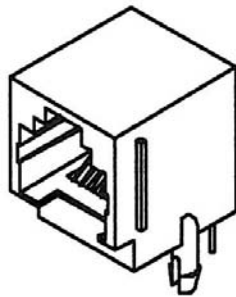
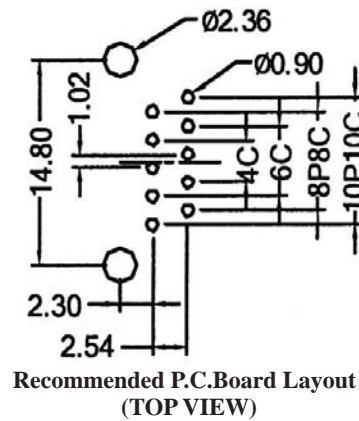
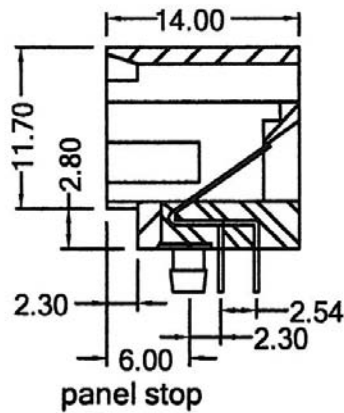
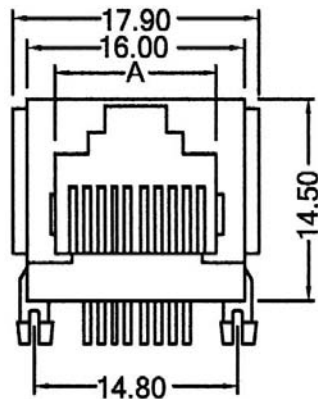
SIDE ENTRY UP LATCH MODULAR PCB JACK 6P+8P+10P PROFILE=14.50MM (UNSHIELDED)

SPECIFICATIONS

Insulation Resistance: 500MΩ Min.
Contact Resistance: 20mΩ Max.
Rating Current: 1.5A Max.
Rating Voltage: 120V AC.
Dielectric Voltage: 1000 Vrms 60 Sec. Min.
Temperature Range: -40°C / +85°C
Durability: 500 Mating cycles Min.

MATERIALS

Housing: PBT Glass Filled (UL 94V-0)
Soldering Temperature: 235°C
Color: Black & Gray
Spring Wire: Phosphor Bronze
 Gold plating Over Nickel
All materials must be RoHS compliant.



No. of Positions	No. of Contacts	A
(8P)6P	2C/4C/6C	10.00
8P	2C/4C/6C/8C	12.10
10P	10C	12.10

ORDERING INFORMATION:

P/N M J $\frac{xx}{1} - \frac{xxxxx}{2345}$

1. PANEL STOP OPTION:

"R7" WITH PANEL STOP
 "R8" W/O PANEL STOP

2. NO. OF POSITIONS & CONTACTS:

"66" 6P6C
 "64" 6P4C
 "88" 8P8C
 "00" 10P10C

3. CONTACT FINISH:

"A" 6 MICROINCH GOLD
 "B" 15 MICROINCH GOLD
 "C" 30 MICROINCH GOLD
 "D" 50 MICROINCH GOLD

4. HOUSING COLOR:

"A" GRAY
 "B" BLACK

5. KEYWAY OPTION:

" " W/O KEYWAY
 "K" WITH KEYWAY (for 8P & 10P)