

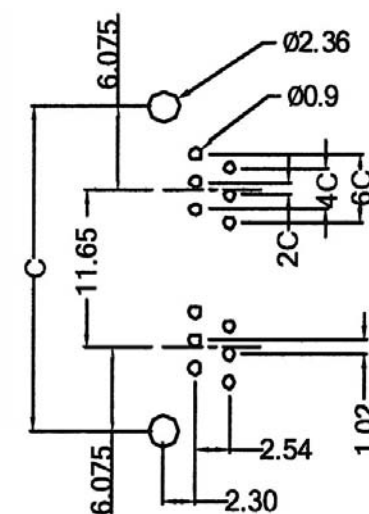
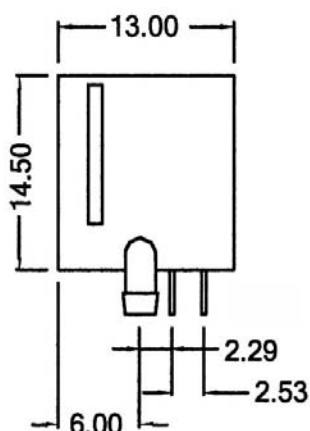
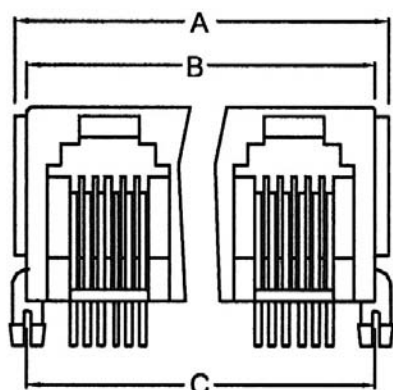
SIDE ENTRY MULTI-PORT UP LATCH MODULAR PCB JACK 6P PROFILE=14.50MM (UNSHIELDED)

SPECIFICATIONS

Insulation Resistance: 500MΩ Min.
Contact Resistance: 20mΩ Max.
Rating Current: 1.5A Max.
Rating Voltage: 120V AC.
Dielectric Voltage: 1000 Vrms 60 Sec. Min.
Temperature Range: -40°C / +85°C
Durability: 500 Mating cycles Min.

MATERIALS

Housing: PBT Glass Filled (UL 94V-0)
Soldering Temperature: 235°C
Color: Black & Gray
Spring Wire: Phosphor Bronze
 Gold plating Over Nickel
All materials must be RoHS compliant.



Recommended P.C. Board Layout (TOP VIEW)

$$\begin{aligned}
 A &= 11.65 \times \text{Ports} + 2.50 \\
 B &= 11.65 \times \text{Ports} + 0.70 \\
 C &= 11.65 \times \text{Ports} + 0.50
 \end{aligned}$$

ORDERING INFORMATION:

P/N M J 3 R - $\frac{x \ x \ x \ A \ x \ x}{1 \ 2 \ 3 \ 4}$

1. NO. OF POSITIONS & CONTACTS:

"66" 6P6C
 "64" 6P4C

2. CONTACT FINISH:

"A" 6 MICROINCH GOLD
 "B" 15 MICROINCH GOLD
 "C" 30 MICROINCH GOLD
 "D" 50 MICROINCH GOLD
 "E" GOLD FLASH

3. HOUSING COLOR:

"A" GRAY (STANDARD)
 "B" BLACK

4. NO. OF PORTS:

02, 03, 04, 05, 06, 07, 08