

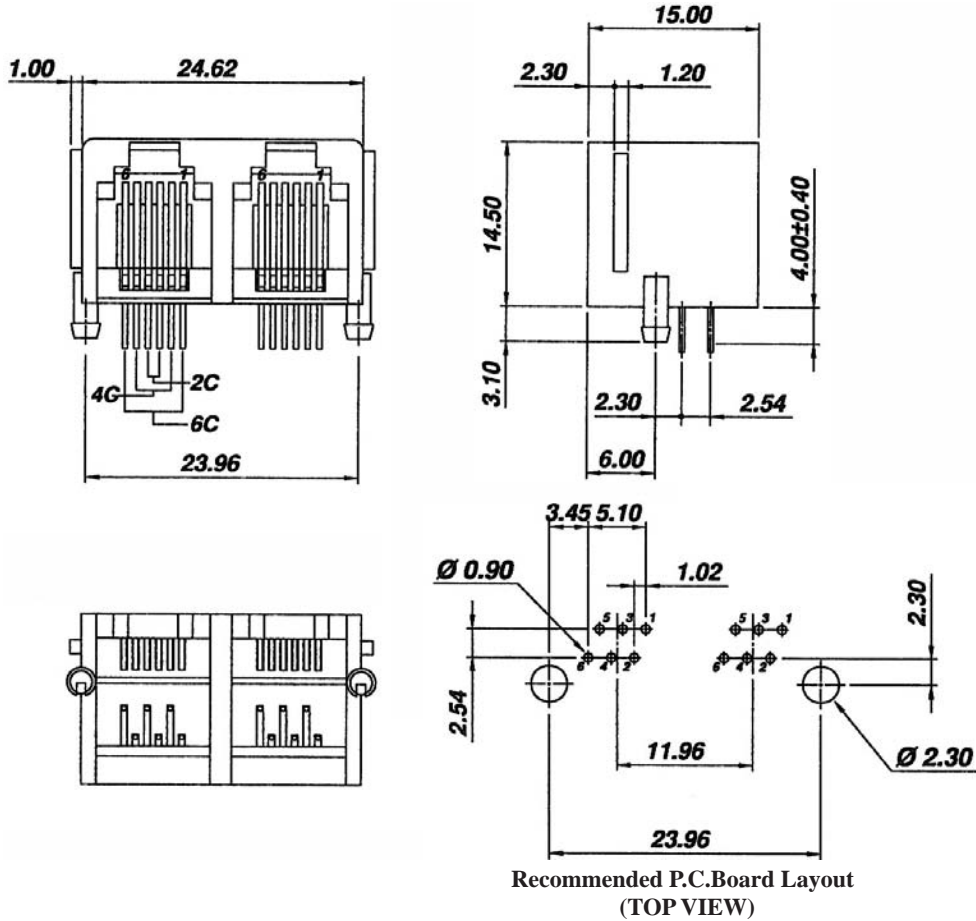
## SIDE ENTRY 2-PORT UP LATCH MODULAR PCB JACK 6P PROFILE=14.50MM (UNSHIELDED)

### SPECIFICATIONS

**Insulation Resistance:** 500MΩ Min.  
**Contact Resistance:** 20mΩ Max.  
**Rating Current:** 1.5A Max.  
**Rating Voltage:** 120V AC.  
**Dielectric Voltage:** 1000 Vrms 60 Sec. Min.  
**Temperature Range:** -40°C / +85°C  
**Durability:** 500 Mating cycles Min.

### MATERIALS

**Housing:** PBT Glass Filled (UL 94V-0)  
**Soldering Temperature:** 235°C  
**Color:** Black & Gray  
**Spring Wire:** Phosphor Bronze  
 Gold plating Over Nickel  
**All materials must be RoHS compliant.**



### ORDERING INFORMATION:

P/N MJ 2 9 -  $\frac{x}{1} \frac{x}{2} \frac{x}{3} \frac{x}{4} 0 2$

1. NO. OF POSITIONS & CONTACTS:

"66" 6P6C  
"64" 6P4C

2. CONTACT FINISH:

"A" 6 MICROINCH GOLD  
"B" 15 MICROINCH GOLD  
"C" 30 MICROINCH GOLD  
"D" 50 MICROINCH GOLD

3. HOUSING COLOR:

"A" GRAY  
"B" BLACK

4. NO. OF PORTS:

02

NOTE: P/N MJ29HT-xxxx02 for High Temp. Version

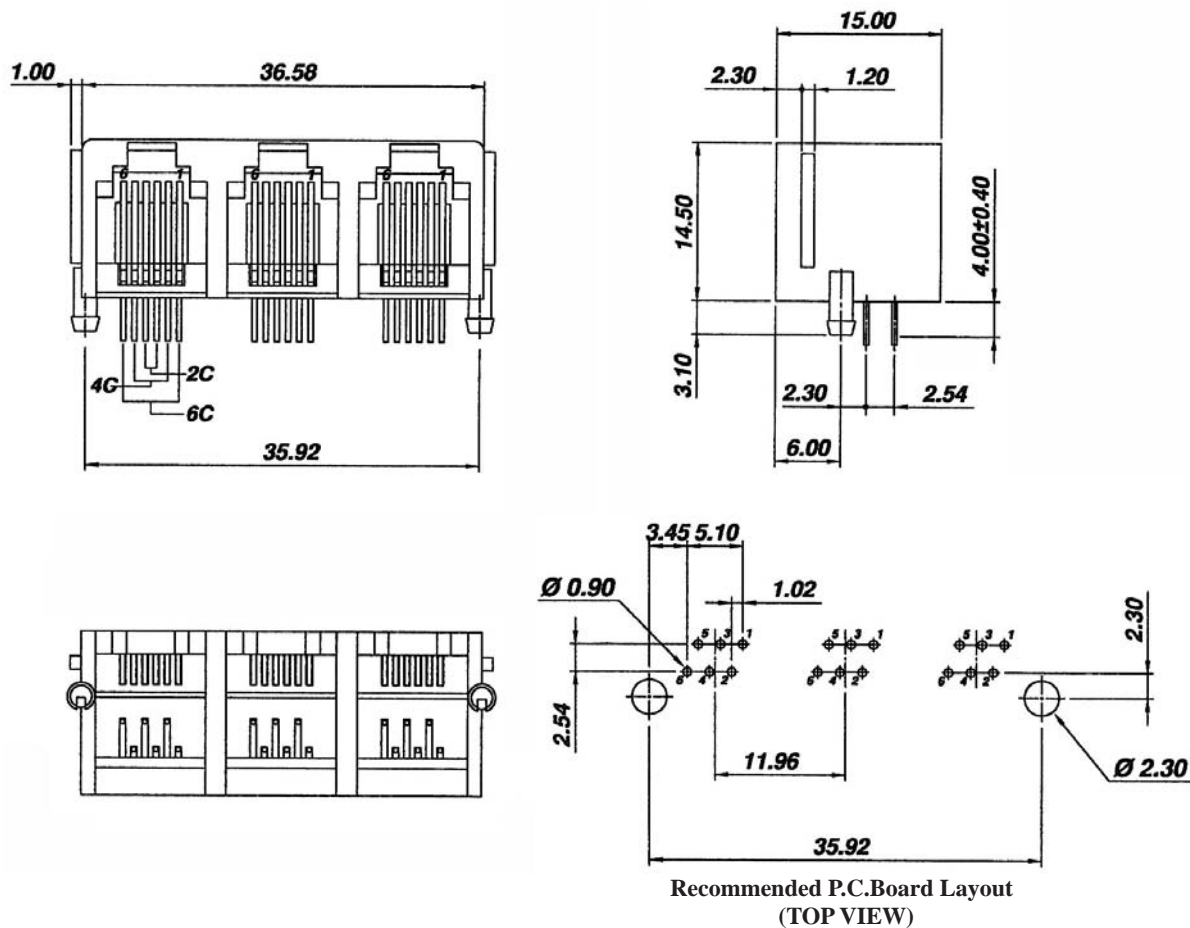
## SIDE ENTRY 3-PORT UP LATCH MODULAR PCB JACK 6P PROFILE=14.50MM (UNSHIELDED)

### SPECIFICATIONS

**Insulation Resistance:** 500MΩ Min.  
**Contact Resistance:** 20mΩ Max.  
**Rating Current:** 1.5A Max.  
**Rating Voltage:** 120V AC.  
**Dielectric Voltage:** 1000 Vrms 60 Sec. Min.  
**Temperature Range:** -40°C / +85°C  
**Durability:** 500 Mating cycles Min.

### MATERIALS

**Housing:** PBT Glass Filled (UL 94V-0)  
**Soldering Temperature:** 235°C  
**Color:** Black & Gray  
**Spring Wire:** Phosphor Bronze  
 Gold plating Over Nickel  
**All materials must be RoHS compliant.**



### ORDERING INFORMATION:

P/N MJ 29 -  $\frac{x}{1} \frac{x}{2} \frac{x}{3} \frac{x}{4} 03$

#### 1. NO. OF POSITIONS & CONTACTS:

"66" 6P6C  
 "64" 6P4C

#### 2. CONTACT FINISH:

"A" 6 MICROINCH GOLD  
 "B" 15 MICROINCH GOLD  
 "C" 30 MICROINCH GOLD  
 "D" 50 MICROINCH GOLD

#### 3. HOUSING COLOR:

"A" GRAY  
 "B" BLACK

#### 4. NO. OF PORTS:

03

NOTE: P/N MJ29HT-xxxx03 for High Temp. Version

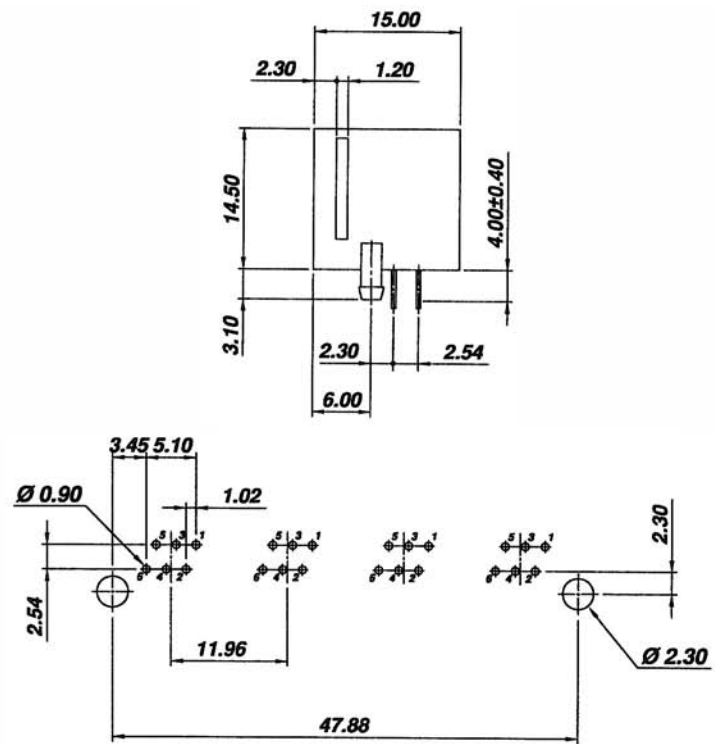
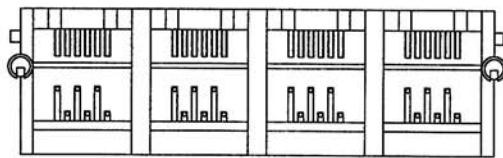
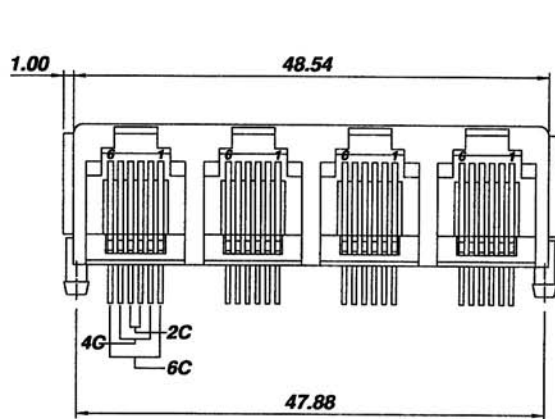
## SIDE ENTRY 4-PORT UP LATCH MODULAR PCB JACK 6P PROFILE=14.50MM (UNSHIELDED)

### SPECIFICATIONS

**Insulation Resistance:** 500MΩ Min.  
**Contact Resistance:** 20mΩ Max.  
**Rating Current:** 1.5A Max.  
**Rating Voltage:** 120V AC.  
**Dielectric Voltage:** 1000 Vrms 60 Sec. Min.  
**Temperature Range:** -40°C / +85°C  
**Durability:** 500 Mating cycles Min.

### MATERIALS

**Housing:** PBT Glass Filled (UL 94V-0)  
**Soldering Temperature:** 235°C  
**Color:** Black & Gray  
**Spring Wire:** Phosphor Bronze  
 Gold plating Over Nickel  
**All materials must be RoHS compliant.**



Recommended P.C. Board Layout (TOP VIEW)

### ORDERING INFORMATION:

P/N MJ 29 -  $\frac{x}{1} \frac{x}{2} \frac{x}{3} \frac{x}{4} 04$

#### 1. NO. OF POSITIONS & CONTACTS:

"66" 6P6C  
 "64" 6P4C

#### 2. CONTACT FINISH:

"A" 6 MICROINCH GOLD  
 "B" 15 MICROINCH GOLD  
 "C" 30 MICROINCH GOLD  
 "D" 50 MICROINCH GOLD

#### 3. HOUSING COLOR:

"A" GRAY  
 "B" BLACK

#### 4. NO. OF PORTS:

04

NOTE: P/N MJ29HT-xxxx04 for High Temp. Version

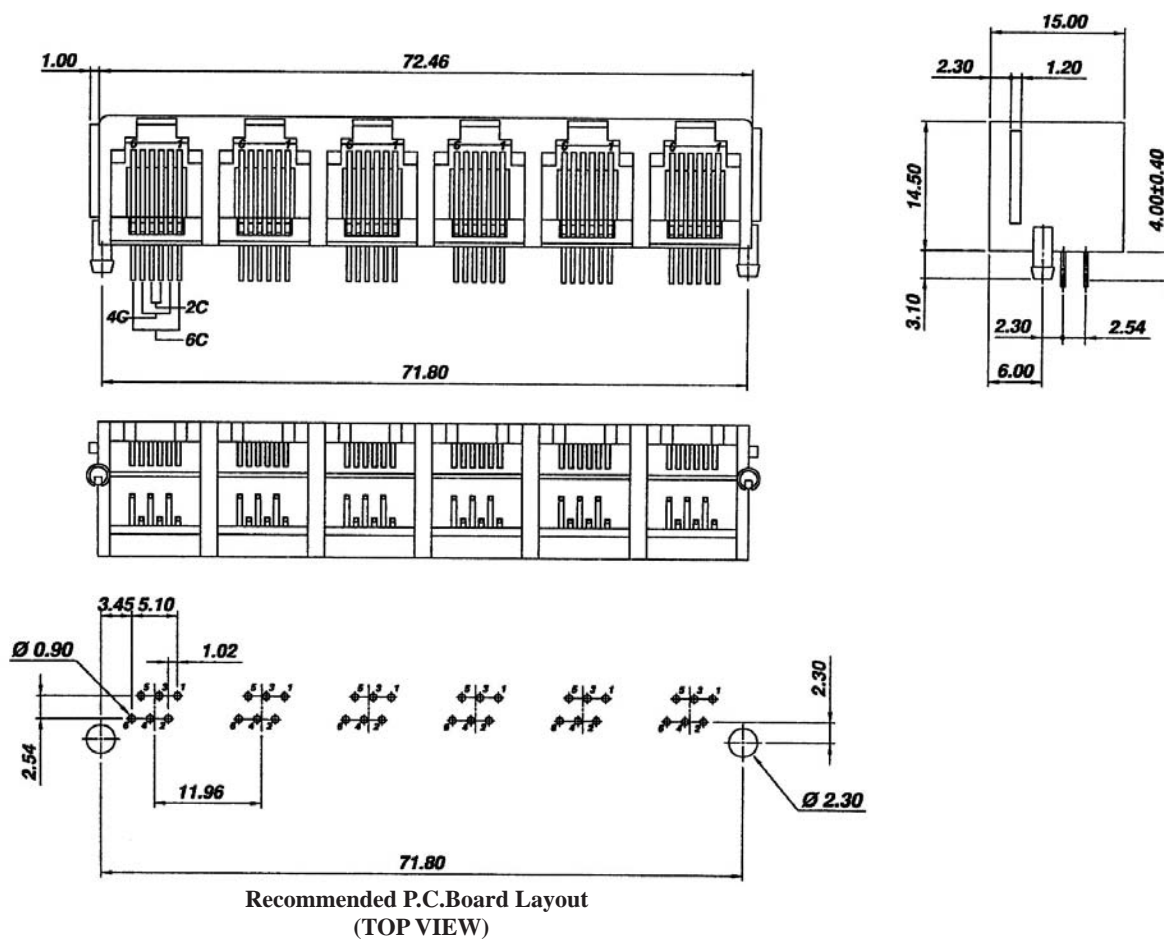
## SIDE ENTRY 6-PORT UP LATCH MODULAR PCB JACK 6P PROFILE=14.50MM (UNSHIELDED)

### SPECIFICATIONS

**Insulation Resistance:** 500MΩ Min.  
**Contact Resistance:** 20mΩ Max.  
**Rating Current:** 1.5A Max.  
**Rating Voltage:** 120V AC.  
**Dielectric Voltage:** 1000 Vrms 60 Sec. Min.  
**Temperature Range:** -40°C / +85°C  
**Durability:** 500 Mating cycles Min.

### MATERIALS

**Housing:** PBT Glass Filled (UL 94V-0)  
**Soldering Temperature:** 235°C  
**Color:** Black & Gray  
**Spring Wire:** Phosphor Bronze  
 Gold plating Over Nickel  
**All materials must be RoHS compliant.**



### ORDERING INFORMATION:

P/N MJ29 -  $\frac{x}{1} \frac{x}{2} \frac{x}{3} \frac{x}{4} 06$

**1. NO. OF POSITIONS & CONTACTS:**

"66" 6P6C  
 "64" 6P4C

**2. CONTACT FINISH:**

"A" 6 MICROINCH GOLD  
 "B" 15 MICROINCH GOLD  
 "C" 30 MICROINCH GOLD  
 "D" 50 MICROINCH GOLD

**3. HOUSING COLOR:**

"A" GRAY  
 "B" BLACK

**4. NO. OF PORTS:**

06

NOTE: P/N MJ29HT-xxxx06 for High Temp. Version

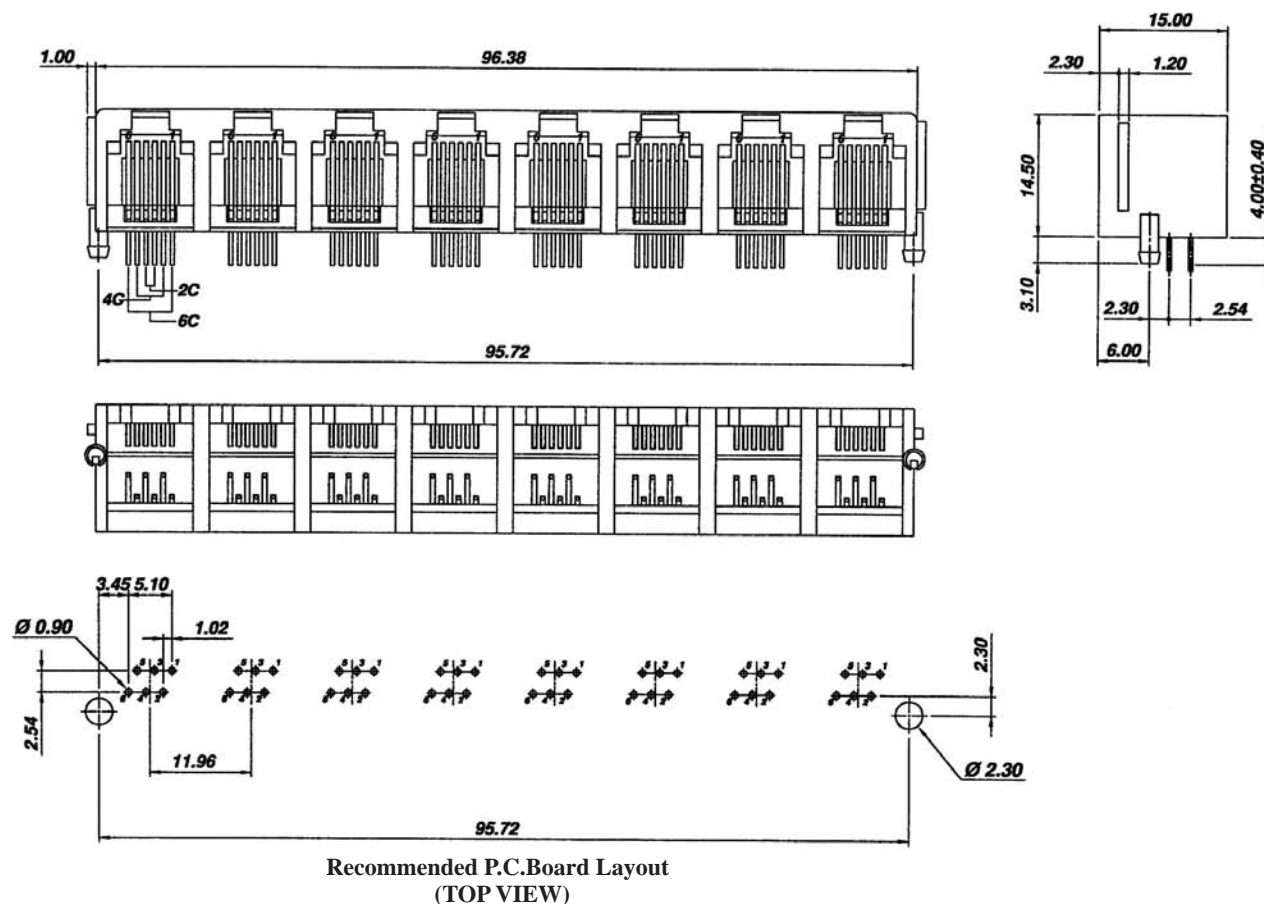
## SIDE ENTRY 8-PORT UP LATCH MODULAR PCB JACK 6P PROFILE=14.50MM (UNSHIELDED)

### SPECIFICATIONS

**Insulation Resistance:** 500MΩ Min.  
**Contact Resistance:** 20mΩ Max.  
**Rating Current:** 1.5A Max.  
**Rating Voltage:** 120V AC.  
**Dielectric Voltage:** 1000 Vrms 60 Sec. Min.  
**Temperature Range:** -40°C / +85°C  
**Durability:** 500 Mating cycles Min.

### MATERIALS

**Housing:** PBT Glass Filled (UL 94V-0)  
**Soldering Temperature:** 235°C  
**Color:** Black & Gray  
**Spring Wire:** Phosphor Bronze  
 Gold plating Over Nickel  
**All materials must be RoHS compliant.**



### ORDERING INFORMATION:

P/N MJ 29 -  $\frac{x}{1} \frac{x}{2} \frac{x}{3} \frac{x}{4} 08$

**1. NO. OF POSITIONS & CONTACTS:**

"66" 6P6C  
 "64" 6P4C

**2. CONTACT FINISH:**

"A" 6 MICROINCH GOLD  
 "B" 15 MICROINCH GOLD  
 "C" 30 MICROINCH GOLD  
 "D" 50 MICROINCH GOLD

**3. HOUSING COLOR:**

"A" GRAY  
 "B" BLACK

**4. NO. OF PORTS:**

08

NOTE: P/N MJ29HT-xxxx08 for High Temp. Version

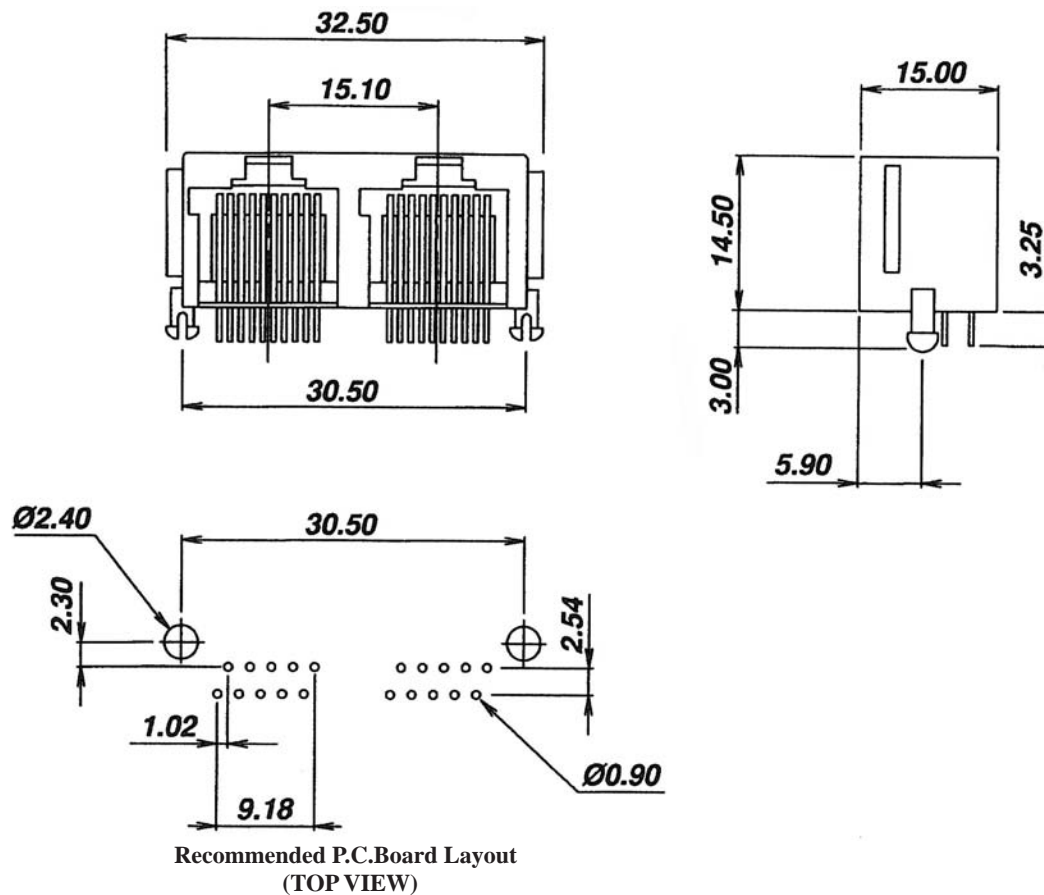
## SIDE ENTRY 2-PORT UP LATCH MODULAR PCB JACK 8P+10P PROFILE=14.50MM (UNSHIELDED)

### SPECIFICATIONS

**Insulation Resistance:** 500MΩ Min.  
**Contact Resistance:** 20mΩ Max.  
**Rating Current:** 1.5A Max.  
**Rating Voltage:** 120V AC.  
**Dielectric Voltage:** 1000 Vrms 60 Sec. Min.  
**Temperature Range:** -40°C / +85°C  
**Durability:** 500 Mating cycles Min.

### MATERIALS

**Housing:** PBT Glass Filled (UL 94V-0)  
**Soldering Temperature:** 235°C  
**Color:** Black  
**Spring Wire:** Phosphor Bronze  
 Gold plating Over Nickel  
**All materials must be RoHS compliant.**



### ORDERING INFORMATION:

P/N MJ29 -  $\frac{x}{1} \frac{x}{2} \frac{x}{3} B \frac{0}{2}$

1. NO. OF POSITIONS & CONTACTS:  
 "00" 10P10C  
 "88" 8P8C (= 10P8C)
2. CONTACT FINISH:  
 "A" 6 MICROINCH GOLD  
 "B" 15 MICROINCH GOLD  
 "C" 30 MICROINCH GOLD  
 "D" 50 MICROINCH GOLD
3. NO. OF PORTS:  
 02

NOTE: P/N MJ29HT-xxxB02 for High Temp. Version

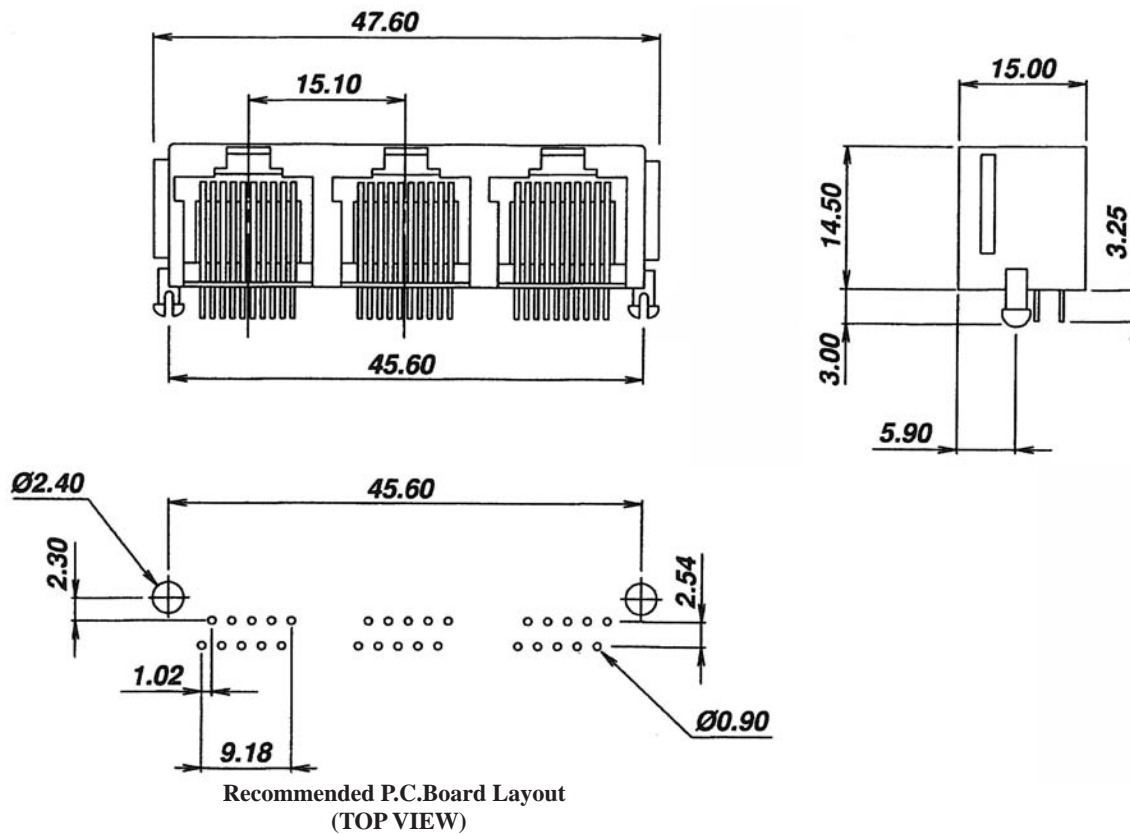
## SIDE ENTRY 3-PORT UP LATCH MODULAR PCB JACK 8P+10P PROFILE=14.50MM (UNSHIELDED)

### SPECIFICATIONS

**Insulation Resistance:** 500MΩ Min.  
**Contact Resistance:** 20mΩ Max.  
**Rating Current:** 1.5A Max.  
**Rating Voltage:** 120V AC.  
**Dielectric Voltage:** 1000 Vrms 60 Sec. Min.  
**Temperature Range:** -40°C / +85°C  
**Durability:** 500 Mating cycles Min.

### MATERIALS

**Housing:** PBT Glass Filled (UL 94V-0)  
**Soldering Temperature:** 235°C  
**Color:** Black  
**Spring Wire:** Phosphor Bronze  
 Gold plating Over Nickel  
**All materials must be RoHS compliant.**



### ORDERING INFORMATION:

P/N MJ29 -  $\frac{x}{1} \frac{x}{2} \frac{x}{3} B \frac{0}{3}$

1. NO. OF POSITIONS & CONTACTS:  
 "00" 10P10C  
 "88" 8P8C (= 10P8C)
2. CONTACT FINISH:  
 "A" 6 MICROINCH GOLD  
 "B" 15 MICROINCH GOLD  
 "C" 30 MICROINCH GOLD  
 "D" 50 MICROINCH GOLD
3. NO. OF PORTS:  
 03

NOTE: P/N MJ29HT-xxxB03 for High Temp. Version

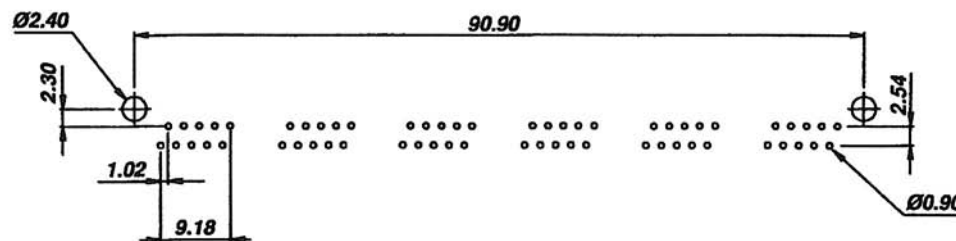
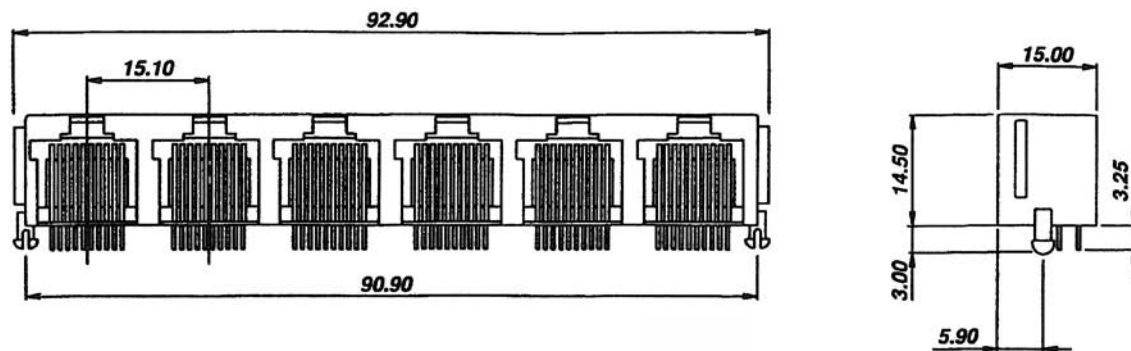
## SIDE ENTRY 6-PORT UP LATCH MODULAR PCB JACK 8P+10P PROFILE=14.50MM (UNSHIELDED)

### SPECIFICATIONS

**Insulation Resistance:** 500MΩ Min.  
**Contact Resistance:** 20mΩ Max.  
**Rating Current:** 1.5A Max.  
**Rating Voltage:** 120V AC.  
**Dielectric Voltage:** 1000 Vrms 60 Sec. Min.  
**Temperature Range:** -40°C / +85°C  
**Durability:** 500 Mating cycles Min.

### MATERIALS

**Housing:** PBT Glass Filled (UL 94V-0)  
**Soldering Temperature:** 235°C  
**Color:** Black  
**Spring Wire:** Phosphor Bronze  
 Gold plating Over Nickel  
**All materials must be RoHS compliant.**



Recommended P.C. Board Layout  
(TOP VIEW)

### ORDERING INFORMATION:

P/N MJ29 -  $\frac{x}{1} \frac{x}{2} \frac{x}{3} B \frac{0}{3} 6$

1. NO. OF POSITIONS & CONTACTS:  
 "00" 10P10C  
 "88" 8P8C (= 10P8C)
2. CONTACT FINISH:  
 "A" 6 MICROINCH GOLD  
 "B" 15 MICROINCH GOLD  
 "C" 30 MICROINCH GOLD  
 "D" 50 MICROINCH GOLD
3. NO. OF PORTS:  
 06

NOTE: P/N MJ29HT-xxxB06 for High Temp. Version



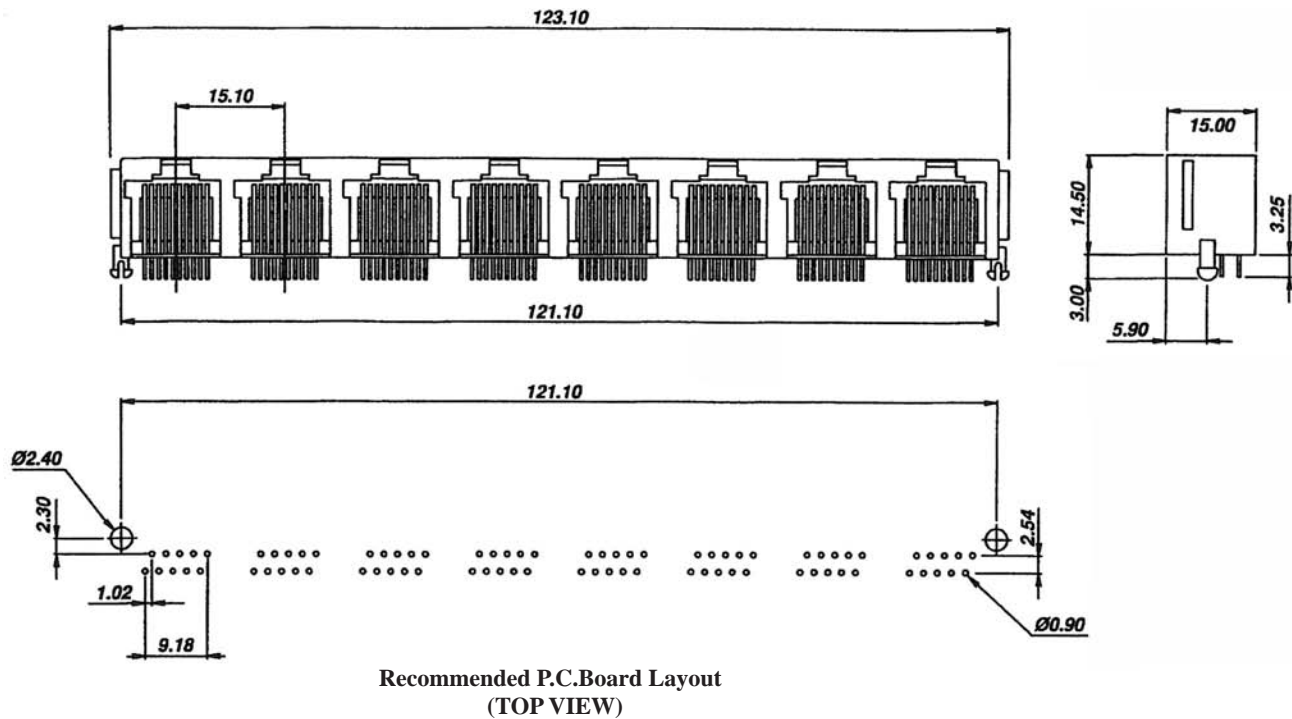
## SIDE ENTRY 8-PORT UP LATCH MODULAR PCB JACK 8P+10P PROFILE=14.50MM (UNSHIELDED)

### SPECIFICATIONS

**Insulation Resistance:** 500MΩ Min.  
**Contact Resistance:** 20mΩ Max.  
**Rating Current:** 1.5A Max.  
**Rating Voltage:** 120V AC.  
**Dielectric Voltage:** 1000 Vrms 60 Sec. Min.  
**Temperature Range:** -40°C / +85°C  
**Durability:** 500 Mating cycles Min.

### MATERIALS

**Housing:** PBT Glass Filled (UL 94V-0)  
**Soldering Temperature:** 235°C  
**Color:** Black  
**Spring Wire:** Phosphor Bronze  
 Gold plating Over Nickel  
**All materials must be RoHS compliant.**



Recommended P.C.Board Layout (TOP VIEW)

### ORDERING INFORMATION:

P/N MJ29 -  $\frac{x}{1} \frac{x}{2} \frac{x}{3} B 08$

1. NO. OF POSITIONS & CONTACTS:  
 "00" 10P10C  
 "88" 8P8C (= 10P8C)
2. CONTACT FINISH:  
 "A" 6 MICROINCH GOLD  
 "B" 15 MICROINCH GOLD  
 "C" 30 MICROINCH GOLD  
 "D" 50 MICROINCH GOLD
3. NO. OF PORTS:  
 08

NOTE: P/N MJ29HT-xxxB08 for High Temp. Version