

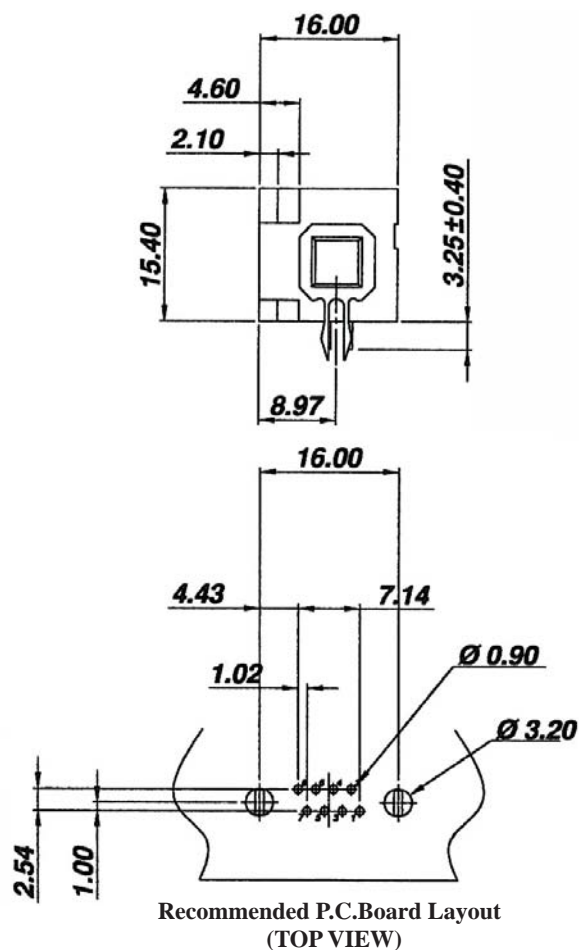
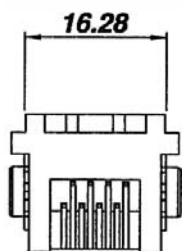
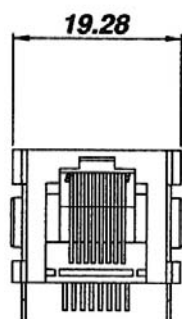
SIDE ENTRY 1-PORT UP LATCH MODULAR PCB JACK WITH METAL PEGS 8P PROFILE=15.40MM (UNSHIELDED)

SPECIFICATIONS

Insulation Resistance: 500MΩ Min.
Contact Resistance: 20mΩ Max.
Rating Current: 1.5A Max.
Rating Voltage: 120V AC.
Dielectric Voltage: 1000 Vrms 60 Sec. Min.
Temperature Range: -40°C / +85°C
Durability: 500 Mating cycles Min.

MATERIALS

Housing: PBT Glass Filled (UL 94V-0)
Soldering Temperature: 235°C
Color: Black & Gray
Spring Wire: Phosphor Bronze
 Gold plating Over Nickel
All materials must be RoHS compliant.



ORDERING INFORMATION:

P/N MJ6L - $\frac{88}{1} \times \frac{01}{234}$

1. NO. OF POSITIONS & CONTACTS:
"88" 8P8C
2. CONTACT FINISH:
"A" 6 MICROINCH GOLD
"B" 15 MICROINCH GOLD
"C" 30 MICROINCH GOLD
"D" 50 MICROINCH GOLD
3. HOUSING COLOR:
"A" GRAY
"B" BLACK
4. NO. OF PORTS:
01

NOTE: P/N MJ6LHT-88xx01 for High Temp. Version

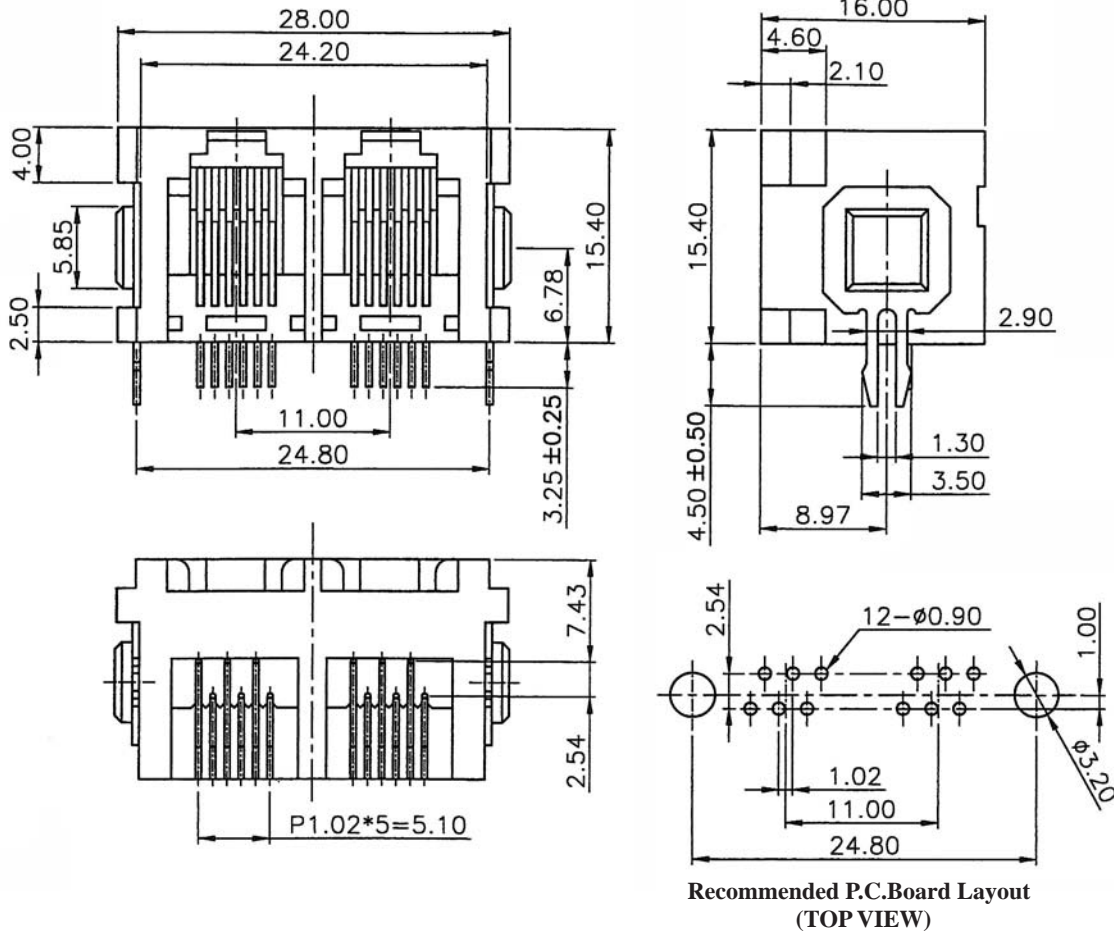
SIDE ENTRY 2-PORT UP LATCH MODULAR PCB JACK WITH METAL PEG 6P PROFILE=15.40MM (UNSHIELDED)

SPECIFICATIONS

Insulation Resistance: 500MΩ Min.
Contact Resistance: 20mΩ Max.
Rating Current: 1.5A Max.
Rating Voltage: 120V AC.
Dielectric Voltage: 1000 Vrms 60 Sec. Min.
Temperature Range: -40°C / +85°C
Durability: 500 Mating cycles Min.

MATERIALS

Housing: PBT Glass Filled (UL 94V-0)
Soldering Temperature: 235°C
Color: Black & Gray
Spring Wire: Phosphor Bronze
 Gold plating Over Nickel
All materials must be RoHS compliant.



ORDERING INFORMATION:

P/N MJ78 - $\frac{x}{1} \frac{x}{2} \frac{x}{3} \frac{x}{4} 02$

1. NO. OF POSITIONS & CONTACTS:

"66" 6P6C
"64" 6P4C

2. CONTACT FINISH:

"A" 6 MICROINCH GOLD
"B" 15 MICROINCH GOLD
"C" 30 MICROINCH GOLD
"D" 50 MICROINCH GOLD
"E" GOLD FLASH

3. HOUSING COLOR:

"A" GRAY (STANDARD)
"B" BLACK

4. NO. OF PORTS:

02

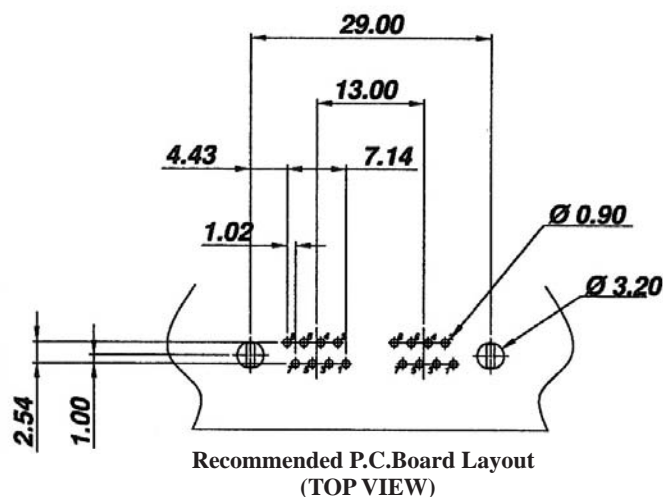
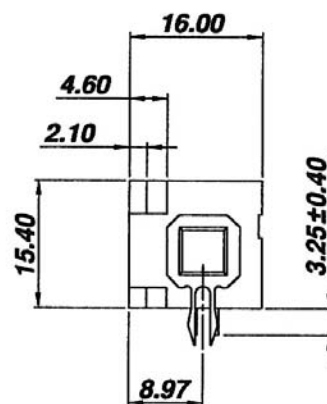
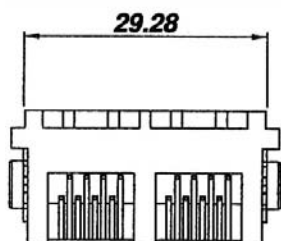
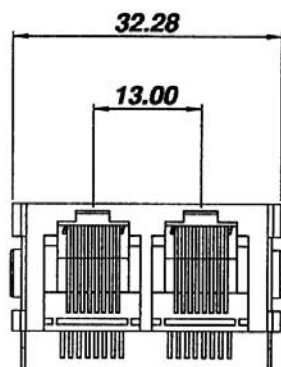
SIDE ENTRY 2-PORT UP LATCH MODULAR PCB JACK WITH METAL PEGS 8P PROFILE=15.40MM (UNSHIELDED)

SPECIFICATIONS

Insulation Resistance: 500MΩ Min.
Contact Resistance: 20mΩ Max.
Rating Current: 1.5A Max.
Rating Voltage: 120V AC.
Dielectric Voltage: 1000 Vrms 60 Sec. Min.
Temperature Range: -40°C / +85°C
Durability: 500 Mating cycles Min.

MATERIALS

Housing: PBT Glass Filled (UL 94V-0)
Soldering Temperature: 235°C
Color: Black & Gray
Spring Wire: Phosphor Bronze
 Gold plating Over Nickel
All materials must be RoHS compliant.



ORDERING INFORMATION:

P/N MJ6L - $\frac{88}{1} \times \frac{23}{3} \times \frac{02}{4}$

1. NO. OF POSITIONS & CONTACTS:
"88" 8P8C
2. CONTACT FINISH:
"A" 6 MICROINCH GOLD
"B" 15 MICROINCH GOLD
"C" 30 MICROINCH GOLD
"D" 50 MICROINCH GOLD
3. HOUSING COLOR:
"A" GRAY
"B" BLACK
4. NO. OF PORTS:
02

NOTE: P/N MJ6LHT-88xx02 for High Temp. Version

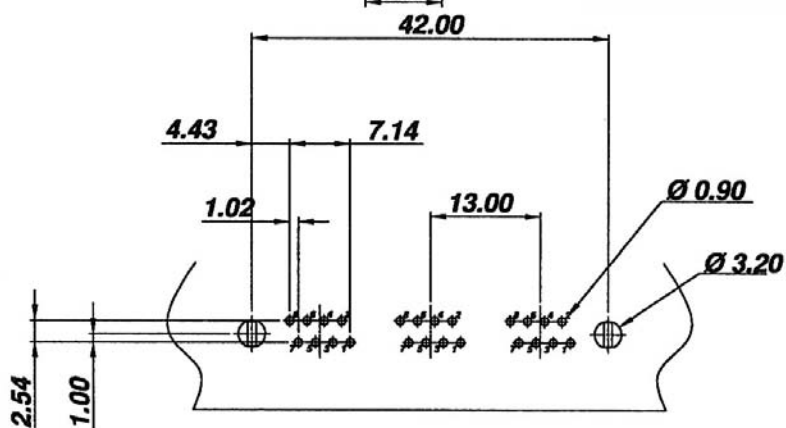
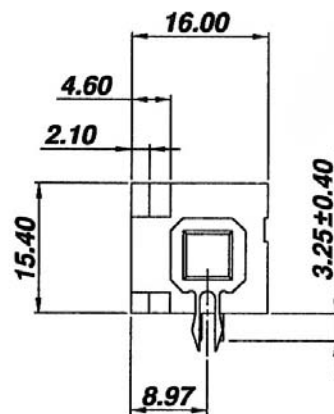
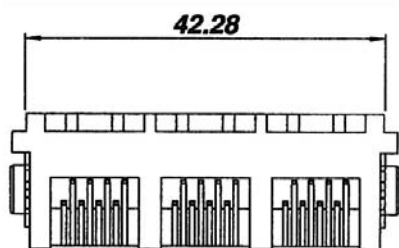
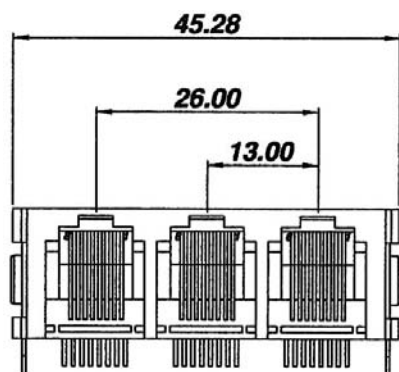
SIDE ENTRY 3-PORT UP LATCH MODULAR PCB JACK WITH METAL PEGS 8P PROFILE=15.40MM (UNSHIELDED)

SPECIFICATIONS

Insulation Resistance: 500MΩ Min.
Contact Resistance: 20mΩ Max.
Rating Current: 1.5A Max.
Rating Voltage: 120V AC.
Dielectric Voltage: 1000 Vrms 60 Sec. Min.
Temperature Range: -40°C / +85°C
Durability: 500 Mating cycles Min.

MATERIALS

Housing: PBT Glass Filled (UL 94V-0)
Soldering Temperature: 235°C
Color: Black & Gray
Spring Wire: Phosphor Bronze
 Gold plating Over Nickel
All materials must be RoHS compliant.



Recommended P.C.Board Layout
(TOP VIEW)

ORDERING INFORMATION:

P/N MJ6L - $\frac{88}{1} \times \frac{03}{234}$

1. NO. OF POSITIONS & CONTACTS:
"88" 8P8C
2. CONTACT FINISH:
"A" 6 MICROINCH GOLD
"B" 15 MICROINCH GOLD
"C" 30 MICROINCH GOLD
"D" 50 MICROINCH GOLD
3. HOUSING COLOR:
"A" GRAY
"B" BLACK
4. NO. OF PORTS:
03

NOTE: P/N MJ6LHT-88xx03 for High Temp. Version

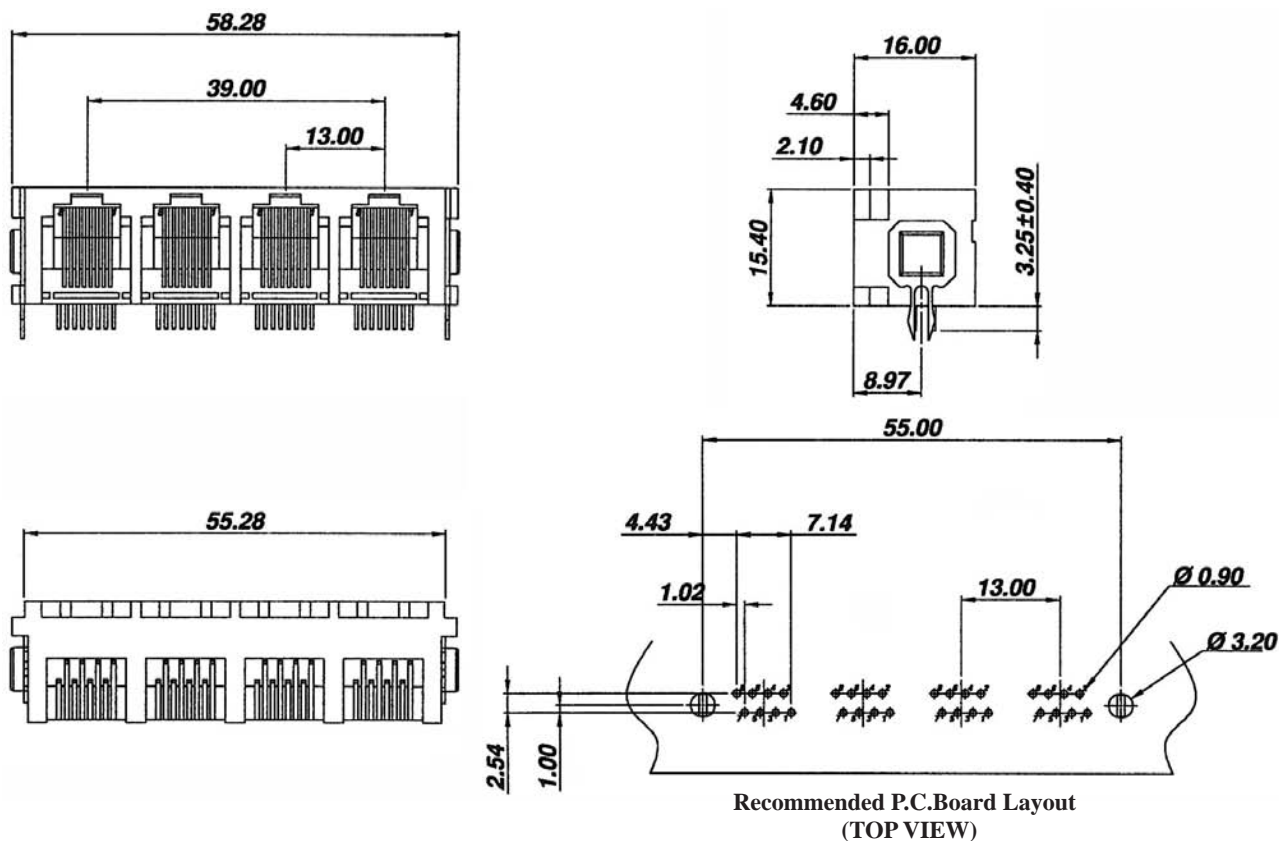
SIDE ENTRY 4-PORT UP LATCH MODULAR PCB JACK WITH METAL PEGS 8P PROFILE=15.40MM (UNSHIELDED)

SPECIFICATIONS

Insulation Resistance: 500MΩ Min.
Contact Resistance: 20mΩ Max.
Rating Current: 1.5A Max.
Rating Voltage: 120V AC.
Dielectric Voltage: 1000 Vrms 60 Sec. Min.
Temperature Range: -40°C / +85°C
Durability: 500 Mating cycles Min.

MATERIALS

Housing: PBT Glass Filled (UL 94V-0)
Soldering Temperature: 235°C
Color: Black & Gray
Spring Wire: Phosphor Bronze
 Gold plating Over Nickel
All materials must be RoHS compliant.



ORDERING INFORMATION:

P/N MJ6L - $\frac{88}{1} \times \frac{23}{2} \times \frac{04}{4}$

1. NO. OF POSITIONS & CONTACTS:
"88" 8P8C
2. CONTACT FINISH:
"A" 6 MICROINCH GOLD
"B" 15 MICROINCH GOLD
"C" 30 MICROINCH GOLD
"D" 50 MICROINCH GOLD
3. HOUSING COLOR:
"A" GRAY
"B" BLACK
4. NO. OF PORTS:
04

NOTE: P/N MJ6LHT-88xx04 for High Temp. Version