

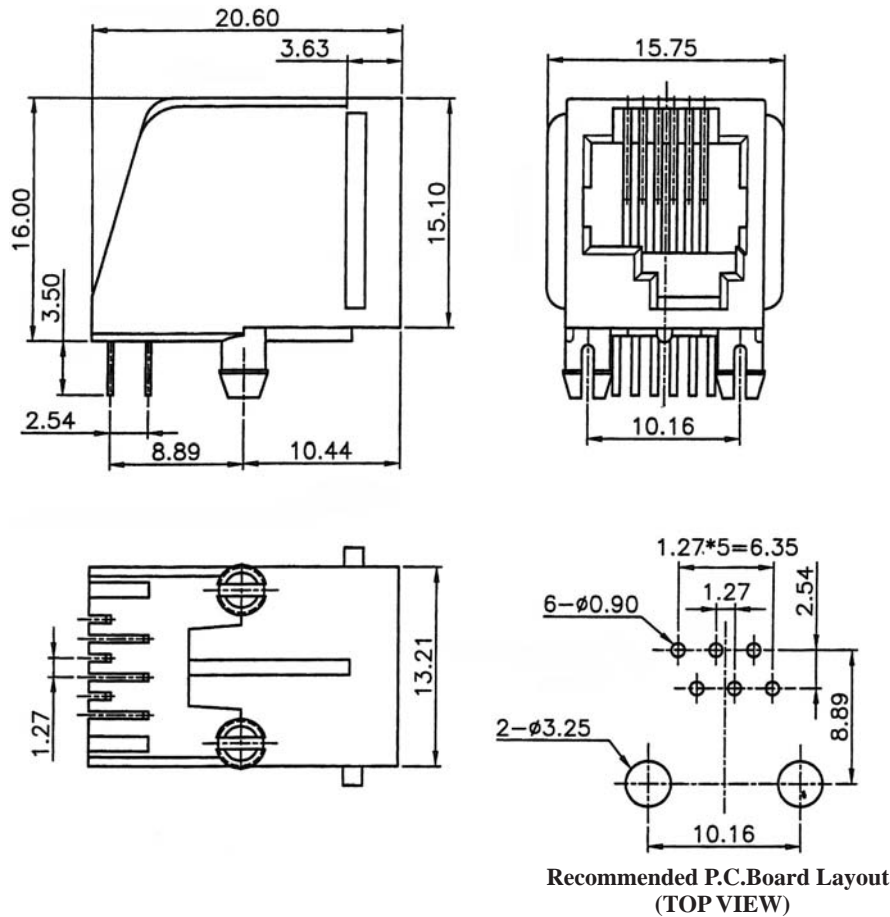
SIDE ENTRY MODULAR PCB JACK DEC TYPE 6P PROFILE=16.00MM (UNSHIELDED)

SPECIFICATIONS

Insulation Resistance: 500MΩ Min.
Contact Resistance: 20mΩ Max.
Rating Current: 1.5A Max.
Rating Voltage: 120V AC.
Dielectric Voltage: 1000 Vrms 60 Sec. Min.
Temperature Range: -40°C / +85°C
Durability: 500 Mating cycles Min.

MATERIALS

Housing: PBT Glass Filled (UL 94V-0)
Soldering Temperature: 235°C
Color: Black
Spring Wire: Phosphor Bronze
 Gold plating Over Nickel
All materials must be RoHS compliant.



ORDERING INFORMATION:

P/N M J $\frac{x}{1}$ - $\frac{x}{2}$ $\frac{x}{3}$ B

1. PANEL STOP OPTION:
 "8H" WITH PANEL STOP
 "8K" W/O PANEL STOP
2. NO. OF POSITIONS & CONTACTS:
 "66" 6P6C
 "64" 6P4C
3. CONTACT FINISH:
 "A" 6 MICROINCH GOLD
 "B" 15 MICROINCH GOLD
 "C" 30 MICROINCH GOLD
 "D" 50 MICROINCH GOLD
 "E" GOLD FLASH