

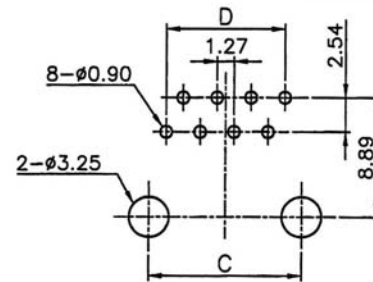
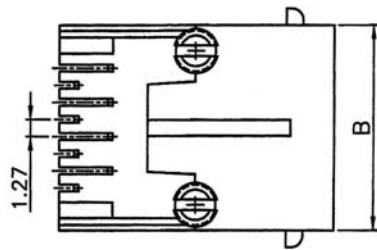
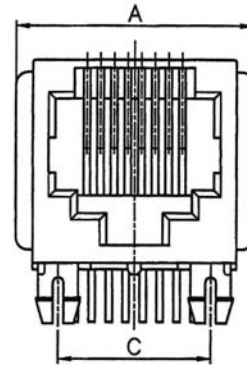
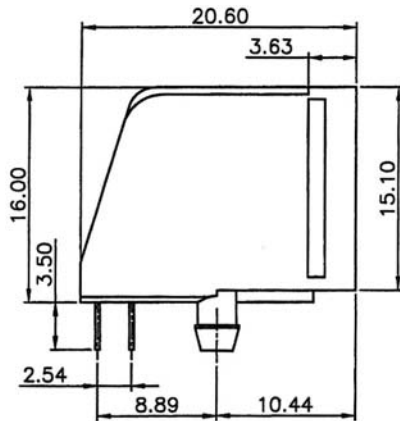
SIDE ENTRY MODULAR PCB JACK 4P+6P+8P PROFILE=16.00MM (UNSHIELDED)

SPECIFICATIONS

Insulation Resistance: 500MΩ Min.
Contact Resistance: 20mΩ Max.
Rating Current: 1.5A Max.
Rating Voltage: 120V AC.
Dielectric Voltage: 1000 Vrms 60 Sec. Min.
Temperature Range: -40°C / +85°C
Durability: 500 Mating cycles Min.

MATERIALS

Housing: PBT Glass Filled (UL 94V-0)
Soldering Temperature: 235°C
Color: Black
Spring Wire: Phosphor Bronze
 Gold plating Over Nickel
All materials must be RoHS compliant.



Recommended P.C.Board Layout
(TOP VIEW)

No. of Positions	Dimensions			
	A	B	C	D
4	13.72	11.18	7.62	3.81
6	15.75	13.21	10.16	6.35
8	17.78	15.24	11.43	8.89

ORDERING INFORMATION:

P/N M J $\frac{x}{1}$ - $\frac{x}{2}$ $\frac{x}{3}$ B $\frac{x}{4}$

1. PANEL STOP OPTION:

"01" WITH PANEL STOP
 "02" W/O PANEL STOP

2. NO. OF POSITIONS & CONTACTS:

"66" 6P6C
 "64" 6P4C
 "88" 8P8C
 "44" 4P4C

3. CONTACT FINISH:

"A" 6 MICROINCH GOLD
 "B" 15 MICROINCH GOLD
 "C" 30 MICROINCH GOLD
 "D" 50 MICROINCH GOLD
 "E" GOLD FLASH

4. KEYWAY OPTION:

" " W/O KEYWAY
 "K" WITH KEYWAY