

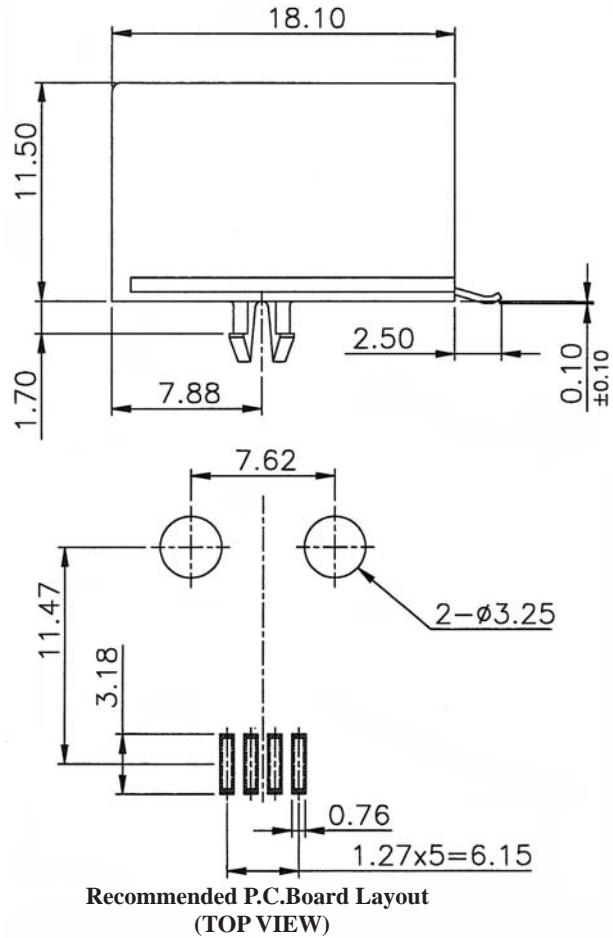
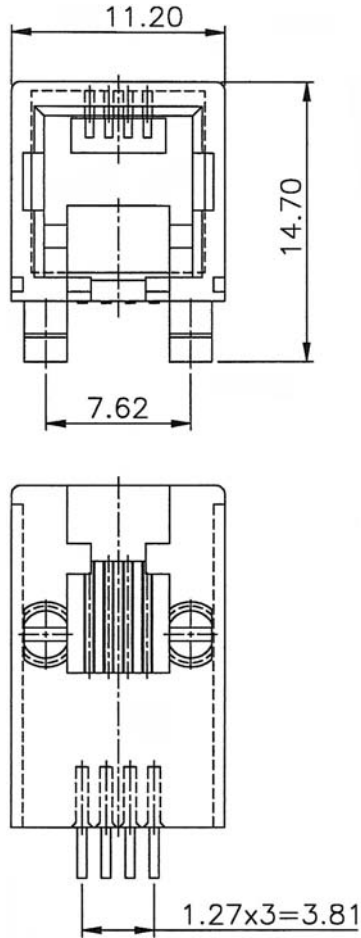
## SIDE ENTRY MODULAR SMT JACK 4P PROFILE=11.50MM (UNSHIELDED)

### SPECIFICATIONS

**Insulation Resistance:** 500MΩ Min.  
**Contact Resistance:** 20mΩ Max.  
**Rating Current:** 1.5A Max.  
**Rating Voltage:** 120V AC.  
**Dielectric Voltage:** 1000 Vrms 60 Sec. Min.  
**Temperature Range:** -40°C / +85°C  
**Durability:** 500 Mating cycles Min.

### MATERIALS

**Housing:** Nylon (UL 94V-0)  
**Soldering Temperature:** 260°C  
**Color:** Black  
**Spring Wire:** Phosphor Bronze  
 Gold plating Over Nickel  
**All materials must be RoHS compliant.**



### ORDERING INFORMATION:

P/N MJ 17 -  $\frac{x}{1} \frac{x}{2} \frac{x}{3} B - x$

1. NO. OF POSITIONS & CONTACTS:  
 "44" 4P4C  
 "42" 4P2C
2. CONTACT FINISH:  
 "A" 6 MICROINCH GOLD  
 "B" 15 MICROINCH GOLD  
 "C" 30 MICROINCH GOLD  
 "D" 50 MICROINCH GOLD
3. PACKAGE OPTION:  
 " " TRAY  
 "R" TAPE & REEL

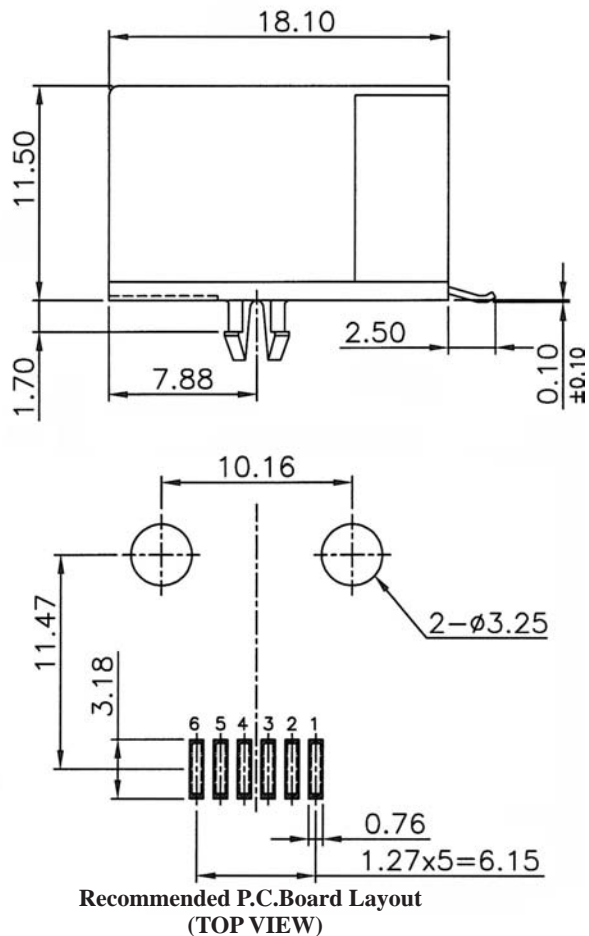
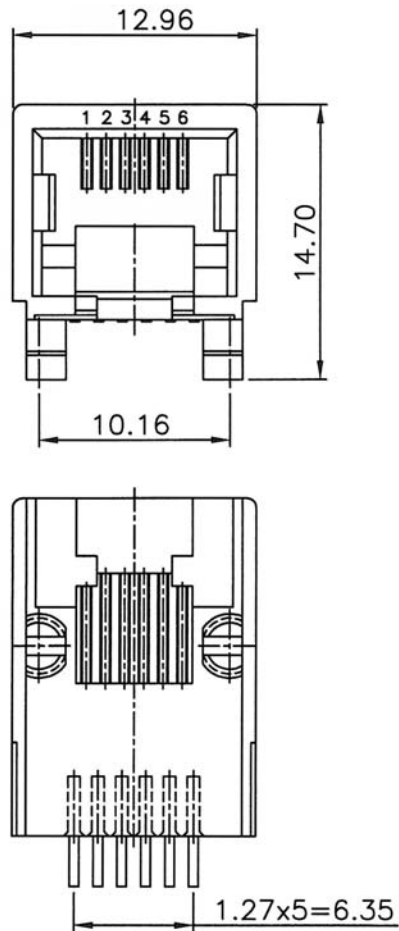
## SIDE ENTRY MODULAR SMT JACK 6P PROFILE=11.50MM (UNSHIELDED)

### SPECIFICATIONS

**Insulation Resistance:** 500MΩ Min.  
**Contact Resistance:** 20mΩ Max.  
**Rating Current:** 1.5A Max.  
**Rating Voltage:** 120V AC.  
**Dielectric Voltage:** 1000 Vrms 60 Sec. Min.  
**Temperature Range:** -40°C / +85°C  
**Durability:** 500 Mating cycles Min.

### MATERIALS

**Housing:** Nylon (UL 94V-0)  
**Soldering Temperature:** 260°C  
**Color:** Black  
**Spring Wire:** Phosphor Bronze  
 Gold plating Over Nickel  
**All materials must be RoHS compliant.**



### ORDERING INFORMATION:

P/N MJ 17 -  $\frac{x}{1}$   $\frac{x}{2}$   $\frac{x}{3}$  B -  $\frac{x}{3}$

1. NO. OF POSITIONS & CONTACTS:  
 "66" 6P6C  
 "64" 6P4C
2. CONTACT FINISH:  
 "A" 6 MICROINCH GOLD  
 "B" 15 MICROINCH GOLD  
 "C" 30 MICROINCH GOLD  
 "D" 50 MICROINCH GOLD
3. PACKAGE OPTION:  
 " " TRAY  
 "R" TAPE & REEL

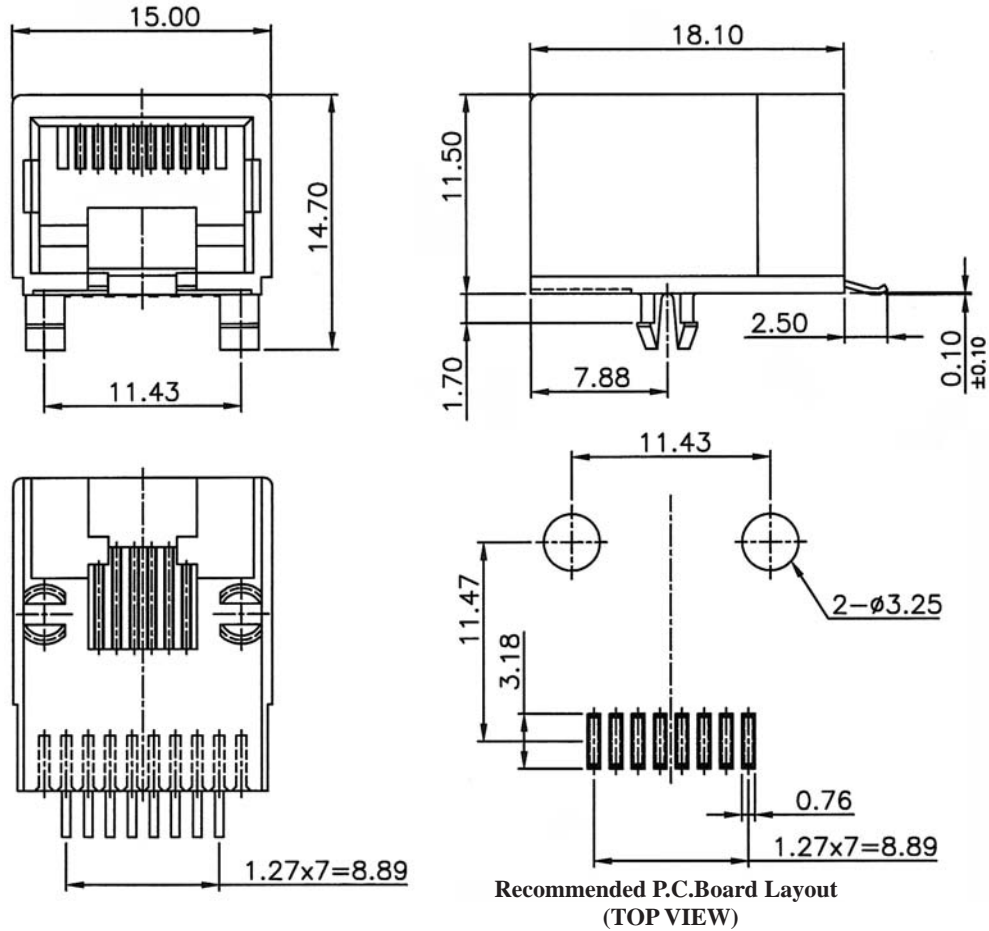
## SIDE ENTRY MODULAR SMT JACK 8P PROFILE=11.50MM (UNSHIELDED)

### SPECIFICATIONS

**Insulation Resistance:** 500M $\Omega$  Min.  
**Contact Resistance:** 20m $\Omega$  Max.  
**Rating Current:** 1.5A Max.  
**Rating Voltage:** 120V AC.  
**Dielectric Voltage:** 1000 Vrms 60 Sec. Min.  
**Temperature Range:** -40 $^{\circ}$ C / +85 $^{\circ}$ C  
**Durability:** 500 Mating cycles Min.

### MATERIALS

**Housing:** Nylon (UL 94V-0)  
**Soldering Temperature:** 260 $^{\circ}$ C  
**Color:** Black  
**Spring Wire:** Phosphor Bronze  
 Gold plating Over Nickel  
**All materials must be RoHS compliant.**



### ORDERING INFORMATION:

P/N MJ 17 -  $\frac{x}{1}$   $\frac{x}{2}$   $\frac{x}{3}$  B -  $\frac{x}{3}$

1. NO. OF POSITIONS & CONTACTS:
  - "88" 8P8C
  - "84" 8P4C
2. CONTACT FINISH:
  - "A" 6 MICROINCH GOLD
  - "B" 15 MICROINCH GOLD
  - "C" 30 MICROINCH GOLD
  - "D" 50 MICROINCH GOLD
3. PACKAGE OPTION:
  - " " TRAY
  - "R" TAPE & REEL

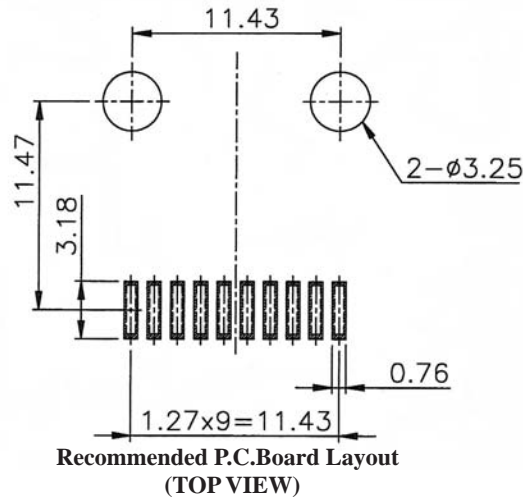
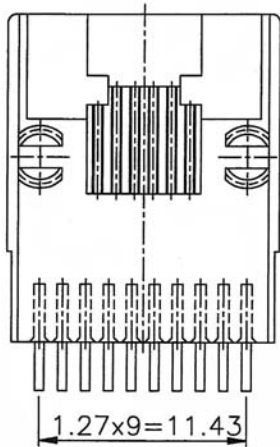
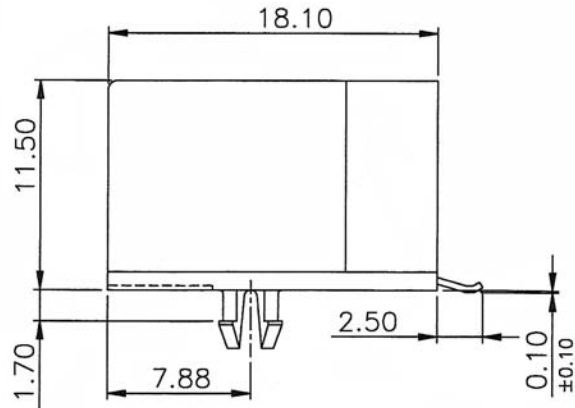
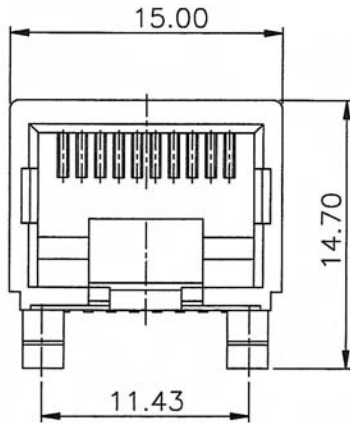
## SIDE ENTRY MODULAR SMT JACK 10P PROFILE=11.50MM (UNSHIELDED)

### SPECIFICATIONS

**Insulation Resistance:** 500MΩ Min.  
**Contact Resistance:** 20mΩ Max.  
**Rating Current:** 1.5A Max.  
**Rating Voltage:** 120V AC.  
**Dielectric Voltage:** 1000 Vrms 60 Sec. Min.  
**Temperature Range:** -40°C / +85°C  
**Durability:** 500 Mating cycles Min.

### MATERIALS

**Housing:** Nylon (UL 94V-0)  
**Soldering Temperature:** 260°C  
**Color:** Black  
**Spring Wire:** Phosphor Bronze  
 Gold plating Over Nickel  
**All materials must be RoHS compliant.**



### ORDERING INFORMATION:

P/N MJ 17 -  $\frac{x}{1} \frac{x}{2} \frac{x}{3}$  B -  $\frac{x}{3}$

1. NO. OF POSITIONS & CONTACTS:
  - "00" 10P10C
  - "08" 10P8C
2. CONTACT FINISH:
  - "A" 6 MICROINCH GOLD
  - "B" 15 MICROINCH GOLD
  - "C" 30 MICROINCH GOLD
  - "D" 50 MICROINCH GOLD
3. PACKAGE OPTION:
  - " " TRAY
  - "R" TAPE & REEL