

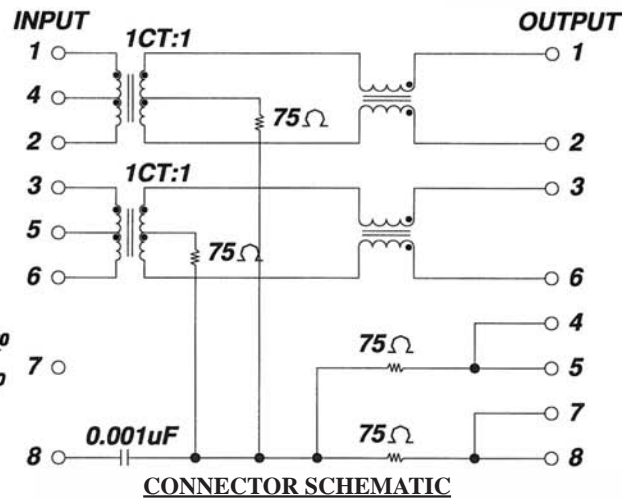
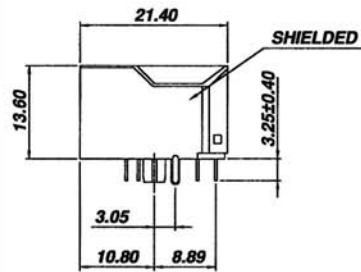
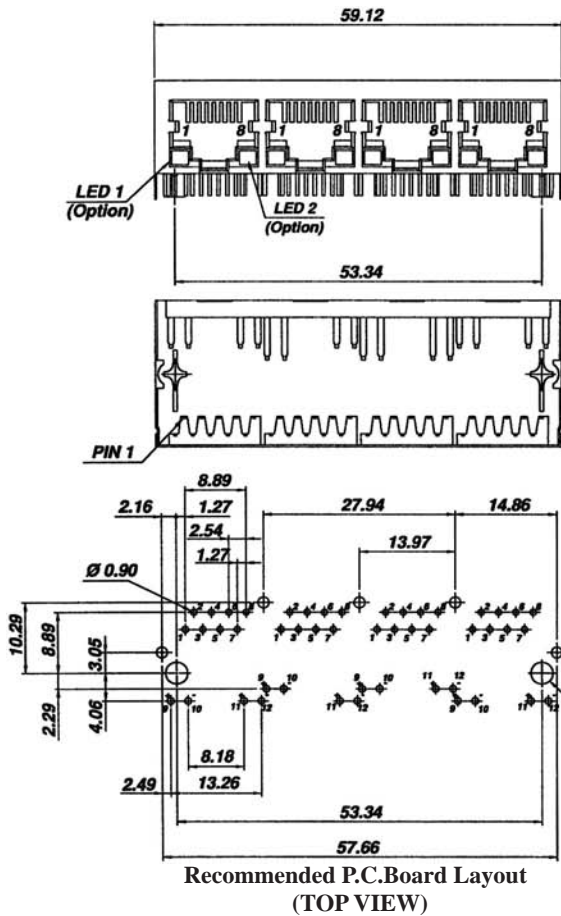
SIDE ENTRY 4-PORT MAGNETIC 10/100 BASE-T JACK WITH LED 8P (FULLY SHIELDED)

SPECIFICATIONS

Insulation Resistance: 500MΩ Min.
 Contact Resistance: 20mΩ Max.
 Rating Current: 1.5A Max.
 Rating Voltage: 120V AC.
 Dielectric Voltage: 1000 Vrms 60 Sec. Min.
 Temperature Range: -40°C / +85°C
 Durability: 500 Mating cycles Min.

MATERIALS

Housing: PBT Glass Filled (UL 94V-0)
 Soldering Temperature: 235°C
 Color: Black
 Spring Wire: Phosphor Bronze
 Gold plating Over Nickel
 Shield: Brass plating Nickel Alloy
 All materials must be RoHS compliant.



ORDERING INFORMATION:

P/N MJM9 - 88 x B 32 x x 04
 1 2 3 4 5 6

- NO. OF POSITIONS & CONTACTS:
"88" 8P8C
- CONTACT FINISH:
"A" 6 MICROINCH GOLD
"B" 15 MICROINCH GOLD
"C" 30 MICROINCH GOLD
"D" 50 MICROINCH GOLD
- SCHEMATIC TYPE:
32
- CODE OF LED1 DESIGNATION:
N, Y, R, X, 3, 4, 5, 6, 9, 0
- CODE OF LED2 DESIGNATION:
N, Y, R, X, 3, 4, 5, 6, 9, 0

- NO. OF PORTS:
04

NOTE: P/N MJM9HT-88xB32xx04 for High Temp. Version

LED Designation:					
Code	Forward	Reverse	Code	Forward	Reverse
N	Green	————	4	Yellow	Red
Y	Yellow	————	5	Green	Yellow
R	Red	————	6	Yellow	Green
1	Green	Orange	9	Red	Green
3	Green	Red	0	Red	Yellow
X	————	————	8	Orange	————

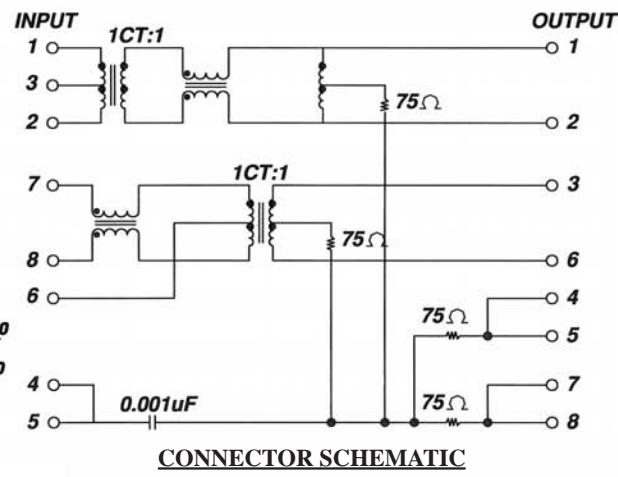
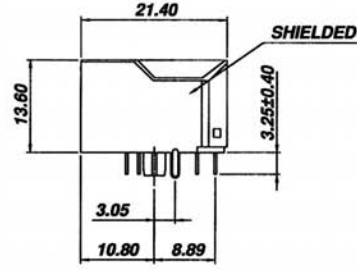
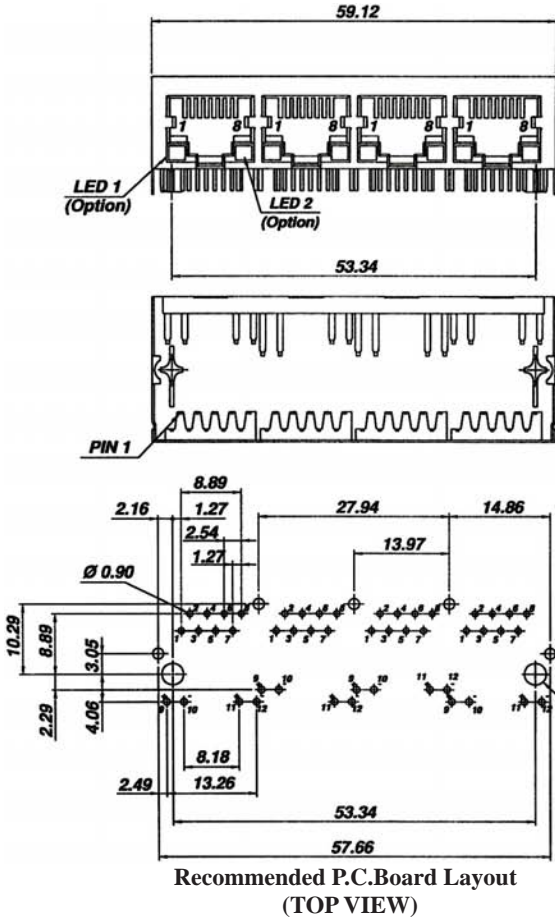
SIDE ENTRY 4-PORT MAGNETIC 10/100 BASE-T JACK WITH LED 8P (FULLY SHIELDED)

SPECIFICATIONS

Insulation Resistance: 500MΩ Min.
 Contact Resistance: 20mΩ Max.
 Rating Current: 1.5A Max.
 Rating Voltage: 120V AC.
 Dielectric Voltage: 1000 Vrms 60 Sec. Min.
 Temperature Range: -40°C / +85°C
 Durability: 500 Mating cycles Min.

MATERIALS

Housing: PBT Glass Filled (UL 94V-0)
 Soldering Temperature: 235°C
 Color: Black
 Spring Wire: Phosphor Bronze
 Gold plating Over Nickel
 Shield: Brass plating Nickel Alloy
 All materials must be RoHS compliant.



ORDERING INFORMATION:

P/N MJM9 - 88 x B 36 x x 04
 1 2 3 4 5 6

1. NO. OF POSITIONS & CONTACTS:
"88" 8P8C
2. CONTACT FINISH:
"A" 6 MICROINCH GOLD
"B" 15 MICROINCH GOLD
"C" 30 MICROINCH GOLD
"D" 50 MICROINCH GOLD
3. SCHEMATIC TYPE:
36
4. CODE OF LED1 DESIGNATION:
N, Y, R, X, 3, 4, 5, 6, 9, 0
5. CODE OF LED2 DESIGNATION:
N, Y, R, X, 3, 4, 5, 6, 9, 0

6. NO. OF PORTS:
04

NOTE: P/N MJM9HT-88xB34xx04 for High Temp. Version

LED Designation:					
Code	Forward	Reverse	Code	Forward	Reverse
N	Green	————	4	Yellow	Red
Y	Yellow	————	5	Green	Yellow
R	Red	————	6	Yellow	Green
1	Green	Orange	9	Red	Green
3	Green	Red	0	Red	Yellow
X	————	————	8	Orange	————