

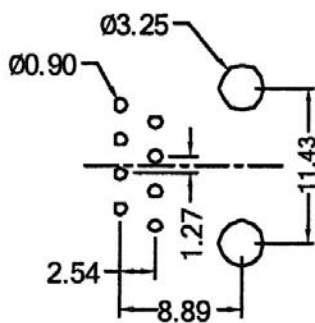
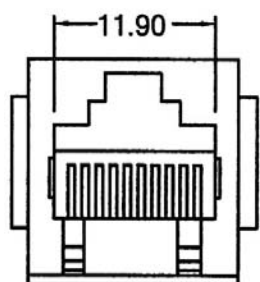
## TOP ENTRY MODULAR PCB JACK WITH DUST COVER 8P PROFILE=16.40MM (UNSHIELDED)

### SPECIFICATIONS

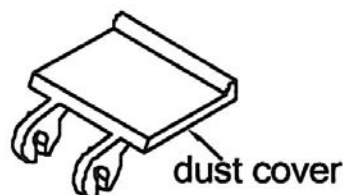
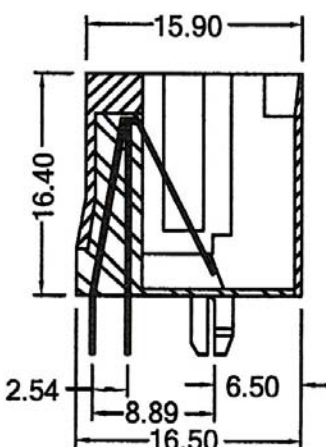
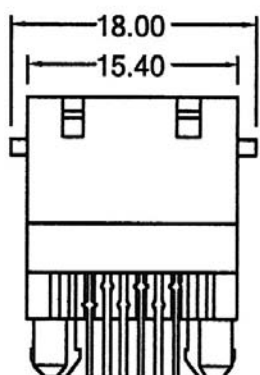
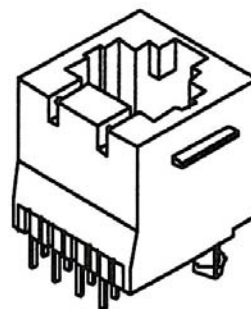
**Insulation Resistance:** 500MΩ Min.  
**Contact Resistance:** 20mΩ Max.  
**Rating Current:** 1.5A Max.  
**Rating Voltage:** 120V AC.  
**Dielectric Voltage:** 1000 Vrms 60 Sec. Min.  
**Temperature Range:** -40°C / +85°C  
**Durability:** 500 Mating cycles Min.

### MATERIALS

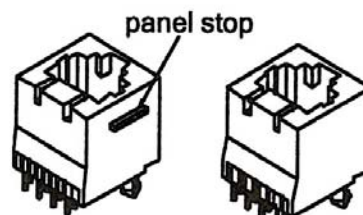
**Housing:** PBT Glass Filled (UL 94V-0)  
**Soldering Temperature:** 235°C  
**Color:** Black  
**Spring Wire:** Phosphor Bronze  
 Gold plating Over Nickel  
**All materials must be RoHS compliant.**



Recommended P.C.Board Layout (TOP VIEW)



dust cover



panel stop

MJT7

MJT8

### ORDERING INFORMATION:

P/N MJ  $\frac{x}{1}$  - 88  $\frac{x}{2}$   $\frac{x}{3}$  B

1. PANEL STOP OPTION:  
 "T7" WITH PANEL STOP  
 "T8" W/O PANEL STOP
2. NO. OF POSITIONS & CONTACTS:  
 "88" 8P8C
3. CONTACT FINISH:  
 "A" 6 MICROINCH GOLD  
 "B" 15 MICROINCH GOLD  
 "C" 30 MICROINCH GOLD  
 "D" 50 MICROINCH GOLD