

## MODULAR COUPLER JACK 6P (UNSHIELDED)

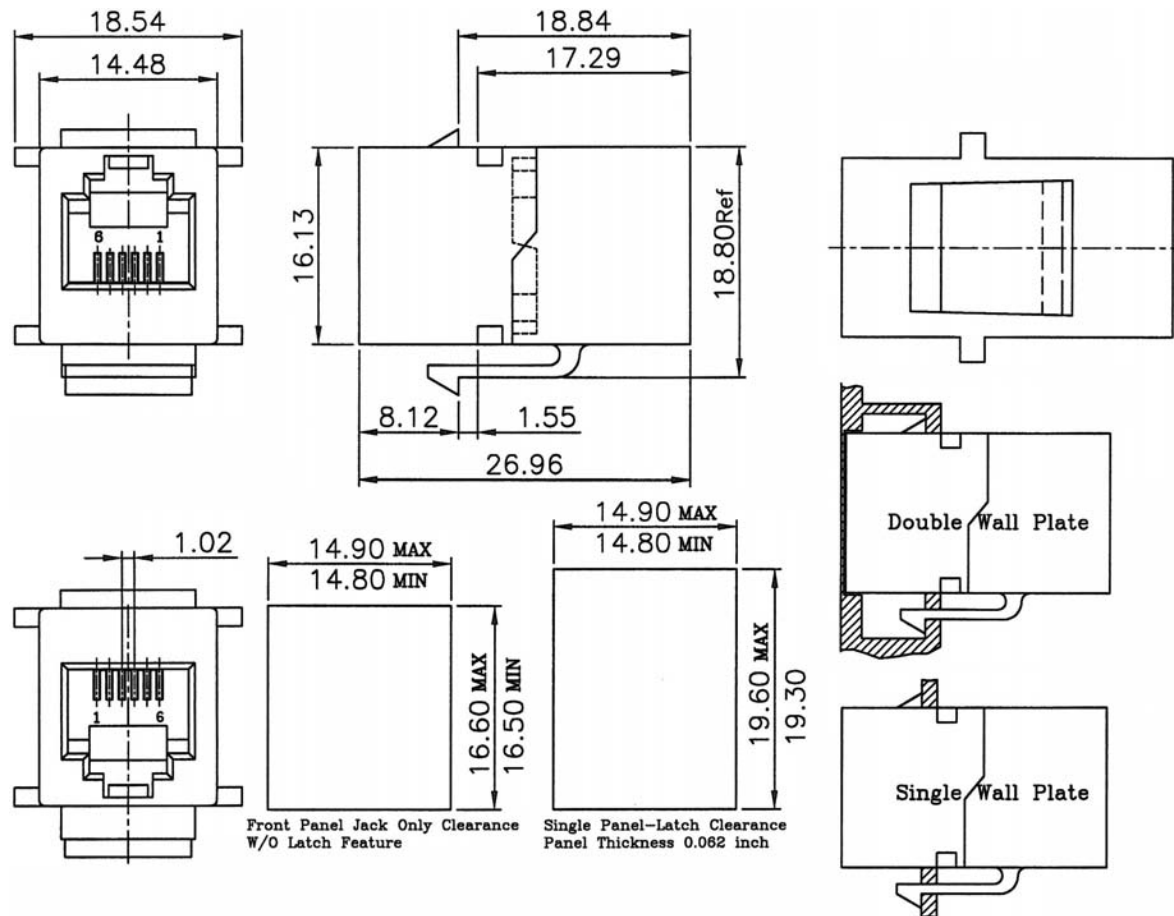
### MATERIALS

**Plastic Housing:** Engineering thermoplastic  
Flammability rating UL 94V-0

**Contact:** 0.35mm thickness Phosphor Bronze

**Plating:** Gold plating over Nickel in contact

All materials must be RoHS compliant.



### ORDERING INFORMATION:

P/N MJ93 -  $\frac{XXXX}{T23}$

#### 1. NO. OF POSITIONS & CONTACTS:

"66" 6P6C

"64" 6P4C

#### 2. CONTACT FINISH:

"A" 6 MICROINCH GOLD

"B" 15 MICROINCH GOLD

"C" 30 MICROINCH GOLD

"D" 50 MICROINCH GOLD

#### 3. HOUSING COLOR:

"B" BLACK (STANDARD)

"W" WHITE

"V" IVORY

"A" GRAY

"Y" YELLOW

"R" RED

"N" GREEN

"U" BLUE

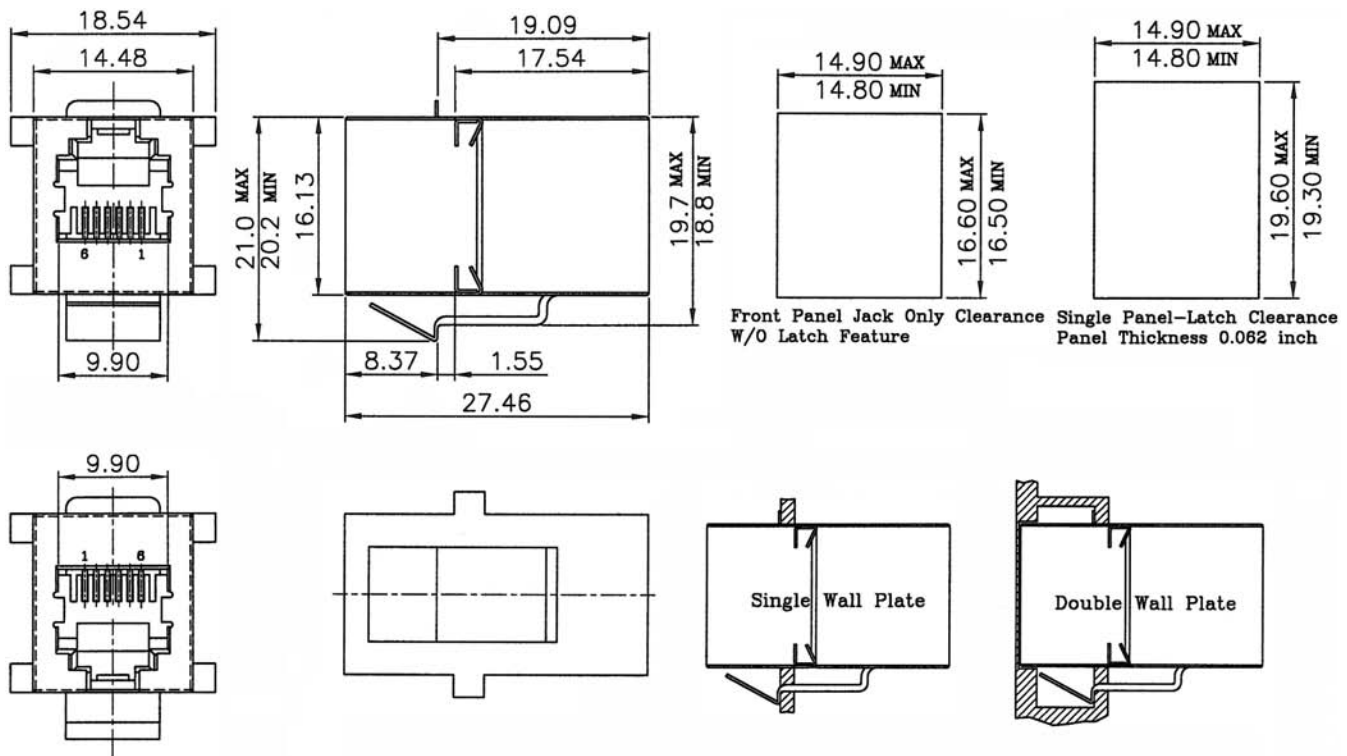
## MODULAR COUPLER JACK 6P (FULLY SHIELDED)

### SPECIFICATIONS

**Insulation Resistance:** 500MΩ Min.  
**Contact Resistance:** 20mΩ Max.  
**Rating Current:** 1.5A Max.  
**Rating Voltage:** 120V AC.  
**Dielectric Voltage:** 1000 Vrms 60 Sec. Min.  
**Temperature Range:** -40°C / +85°C  
**Durability:** 500 Mating cycles Min.

### MATERIALS

**Housing:** PBT Glass Filled (UL 94V-0)  
**Soldering Temperature:** 235°C  
**Color:** Black  
**Spring Wire:** Phosphor Bronze  
                     Gold plating Over Nickel  
**Shield:** Brass plating Nickel Alloy  
**All materials must be RoHS compliant.**



### ORDERING INFORMATION:

P/N MJ93 -  $\frac{x \times x \times S}{T \ 2 \ 3}$

1. NO. OF POSITIONS & CONTACTS:  
 "66" 6P6C  
 "64" 6P4C
2. CONTACT FINISH:  
 "A" 6 MICROINCH GOLD  
 "B" 15 MICROINCH GOLD  
 "C" 30 MICROINCH GOLD  
 "D" 50 MICROINCH GOLD
3. SHIELD OPTION:  
 "S" SHIELDED

## MODULAR COUPLER JACK 8P (UNSHIELDED)

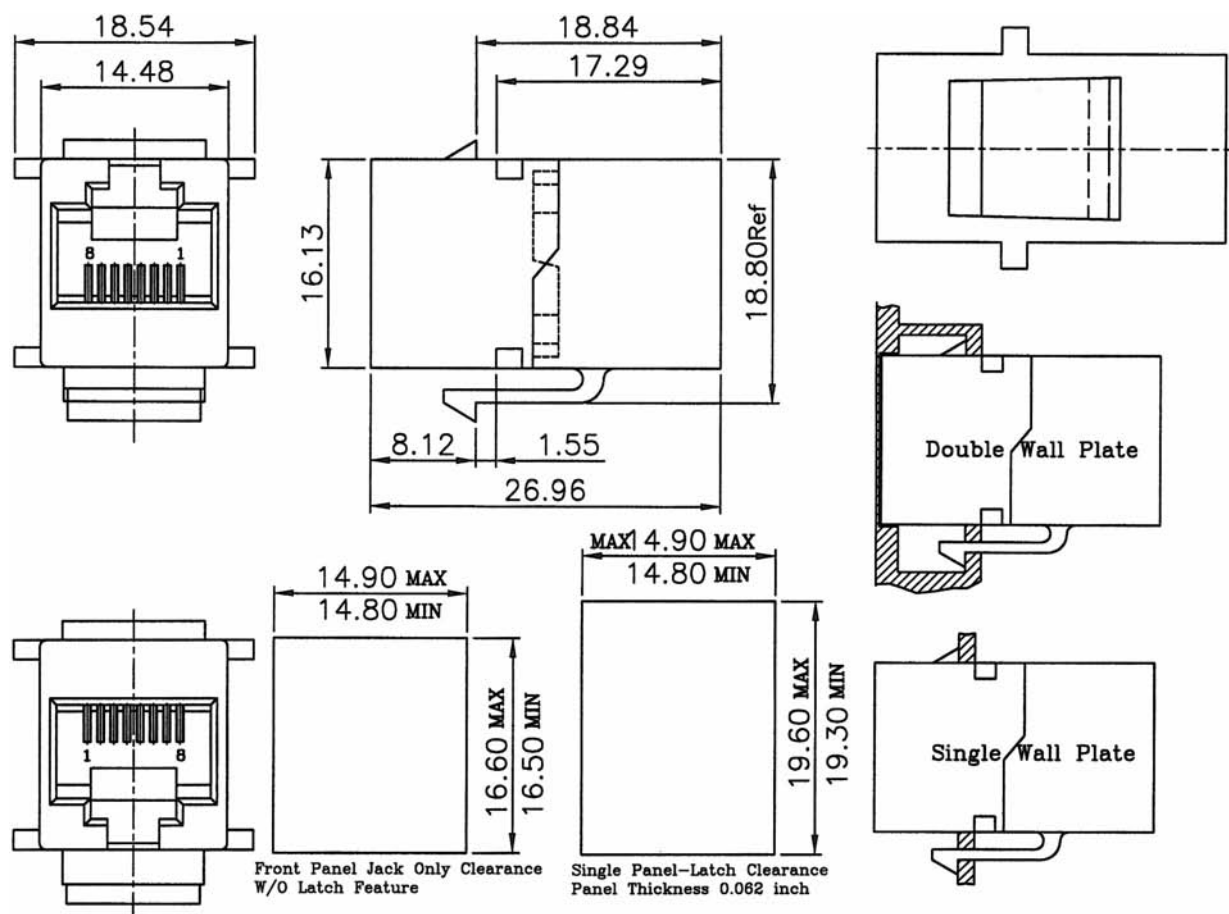
### MATERIALS

**Plastic Housing:** Engineering thermoplastic  
Flammability rating UL 94V-0

**Contact:** 0.35mm thickness Phosphor Bronze

**Plating:** Gold plating over Nickel in contact

All materials must be RoHS compliant.



### ORDERING INFORMATION:

P/N MJ93-88  $\frac{1}{2}$   $\frac{3}{3}$

1. NO. OF POSITIONS & CONTACTS:

"88" 8P8C

2. CONTACT FINISH:

"A" 6 MICROINCH GOLD

"B" 15 MICROINCH GOLD

"C" 30 MICROINCH GOLD

"D" 50 MICROINCH GOLD

3. HOUSING COLOR:

"B" BLACK (STANDARD)

"W" WHITE

"V" IVORY

"A" GRAY

"Y" YELLOW

"R" RED

"N" GREEN

"U" BLUE

## MODULAR COUPLER JACK 8P (FULLY SHIELDED)

### MATERIALS

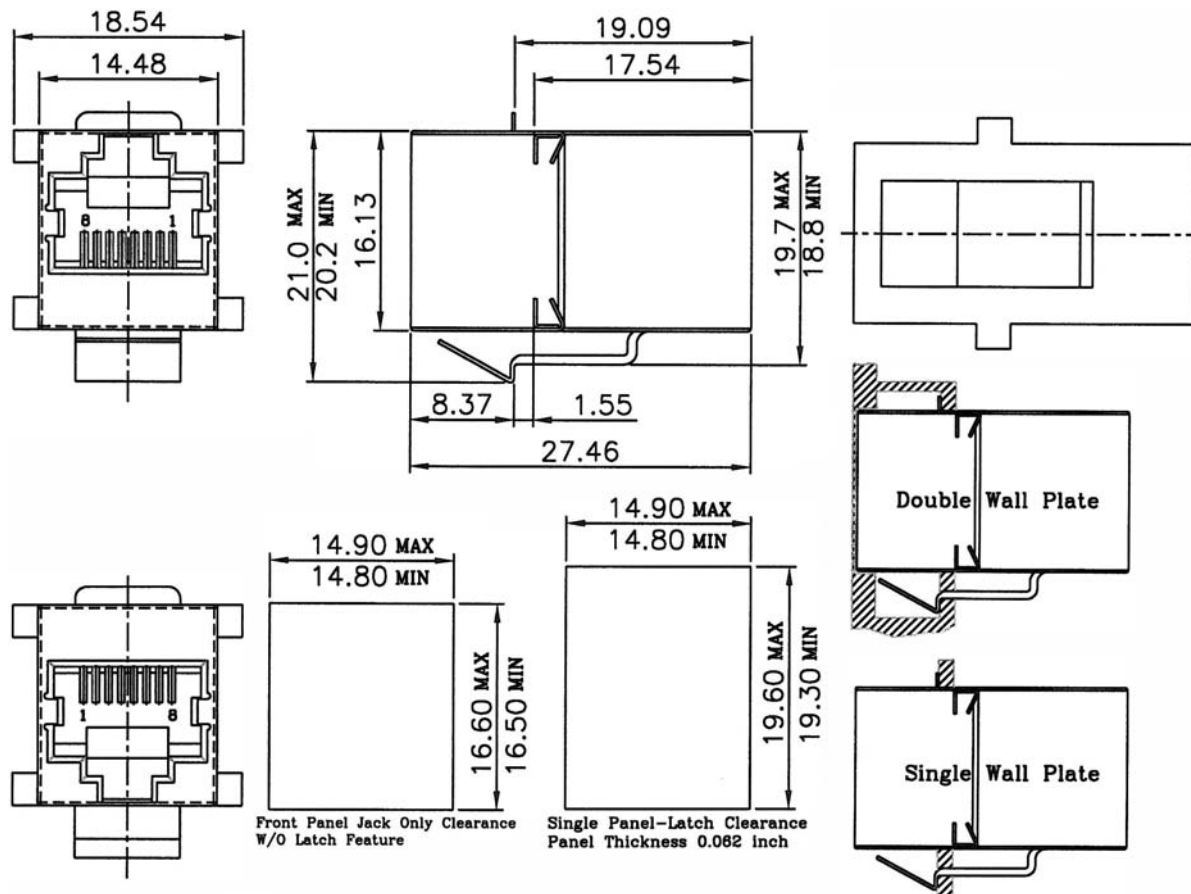
**Shielded:** Stainless steel

**Plastic Housing:** Engineering thermoplastic  
Flammability rating UL 94V-0

**Contact:** 0.35mm thickness Phosphor Bronze

**Plating:** Gold plating over Nickel in contact

All materials must be RoHS compliant.



### ORDERING INFORMATION:

P/N MJ93-88 x S  
1 2 3

1. NO. OF POSITIONS & CONTACTS:

"88" 8P8C

2. CONTACT FINISH:

"A" 6 MICROINCH GOLD

"B" 15 MICROINCH GOLD

"C" 30 MICROINCH GOLD

"D" 50 MICROINCH GOLD

3. SHIELD OPTION:

"S" SHIELDED

## MODULAR COUPLER JACK 10P (FULLY SHIELDED)

### MATERIALS

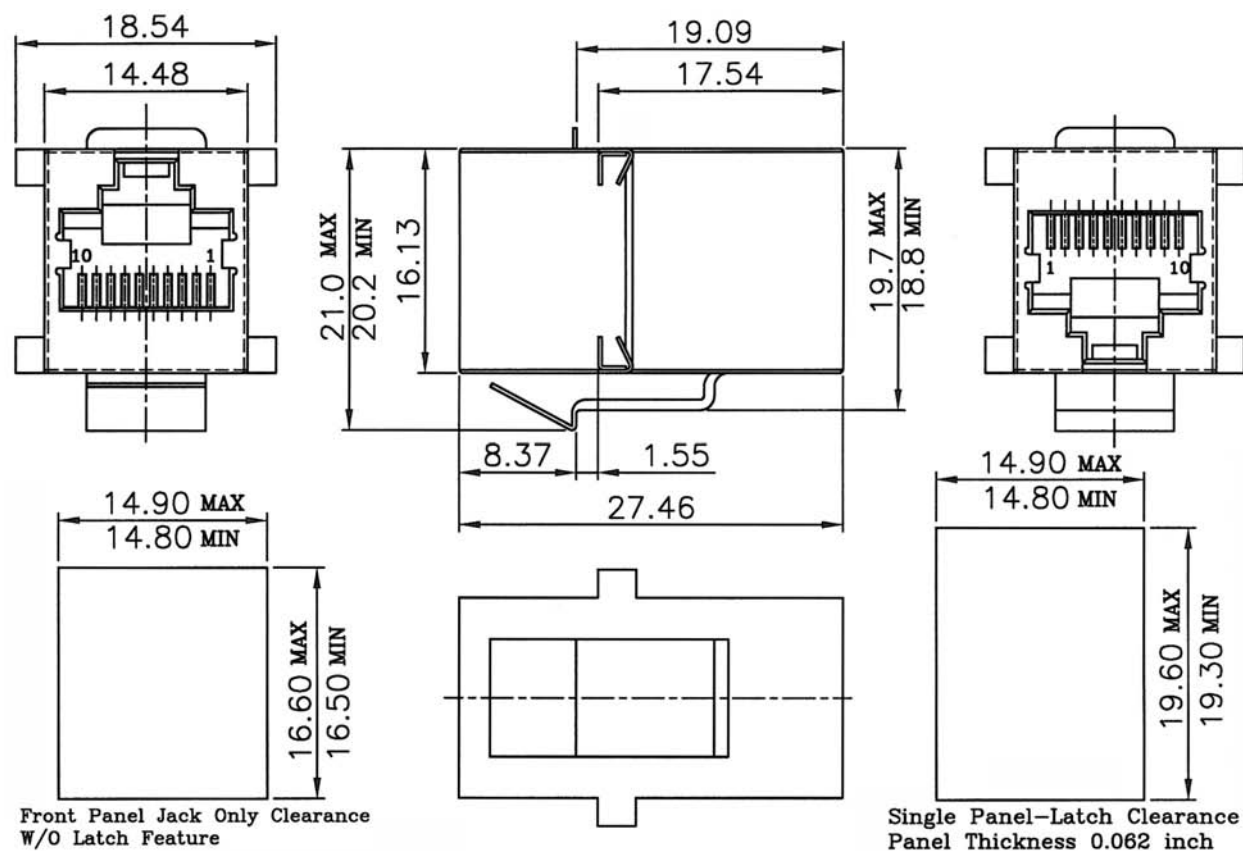
**Shielded:** Stainless steel

**Plastic Housing:** Engineering thermoplastic  
Flammability rating UL 94V-0

**Contact:** Phosphor Bronze

**Plating:** Gold plating over Nickel in contact  
Tin plating over Nickel in solder area

All materials must be RoHS compliant.



### ORDERING INFORMATION:

P/N MJ93-00 x S  
1 2 3

1. NO. OF POSITIONS & CONTACTS:  
"00" 10P10C
2. CONTACT FINISH:  
"A" 6 MICROINCH GOLD  
"B" 15 MICROINCH GOLD  
"C" 30 MICROINCH GOLD  
"D" 50 MICROINCH GOLD
3. SHIELD OPTION:  
"S" SHIELDED