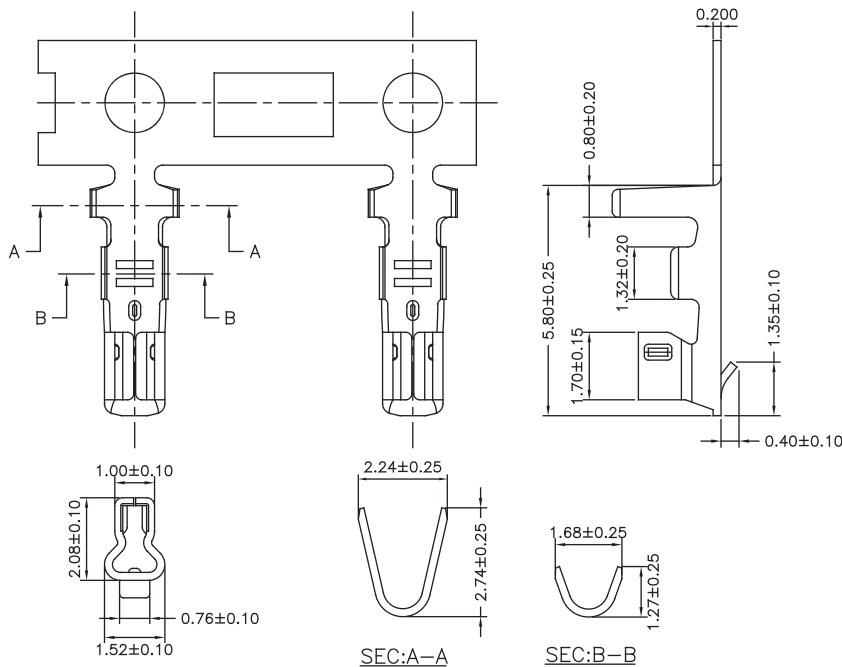




2.0mm Terminal / Housing

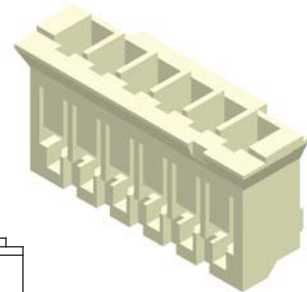


Part No.:2001-T-L

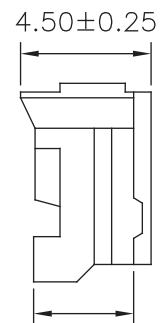
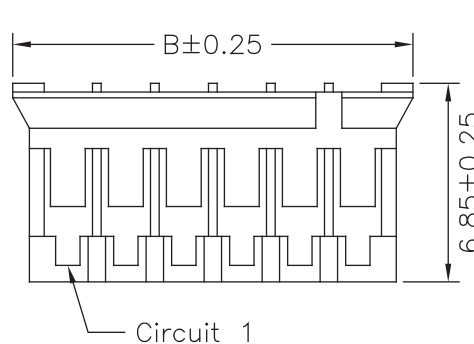
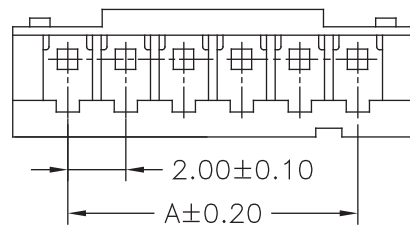
Part No.	Wire Range	Insulation O.D.	Material	Finish
2001-TTP-L	AWG#24-#30	1.50mm(max)	Phosphor Bronze	Tin Plated
2001-TGP-L	AWG#24-#30	1.50mm(max)	Phosphor Bronze	Gold Plated

Specifications

Current Rating: 2A AC,DC
 Voltage Rating: 100V AC,DC
 Temperature Range: -25°C to +85°C
 Contact Resistance: 10mΩ Max
 Insulation Resistance: 1000MΩ Min
 Withstanding Voltage: 800V AC/minute
 Material:Nylon 66,UL94V-0



Part No.	Dimensions	
	A	B
2001H-02W-L	2.00	5.80
2001H-03W-L	4.00	7.80
2001H-04W-L	6.00	9.80
2001H-05W-L	8.00	11.80
2001H-06W-L	10.00	13.80
2001H-07W-L	12.00	15.80
2001H-08W-L	14.00	17.80
2001H-09W-L	16.00	19.80
2001H-10W-L	18.00	21.80
2001H-11W-L	20.00	23.80
2001H-12W-L	22.00	25.80
2001H-13W-L	24.00	27.80
2001H-14W-L	26.00	29.80
2001H-15W-L	28.00	31.80
2001H-16W-L	30.00	33.80



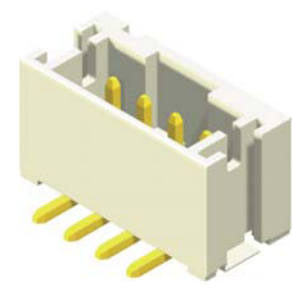
Part No.:2001H-XXW-L



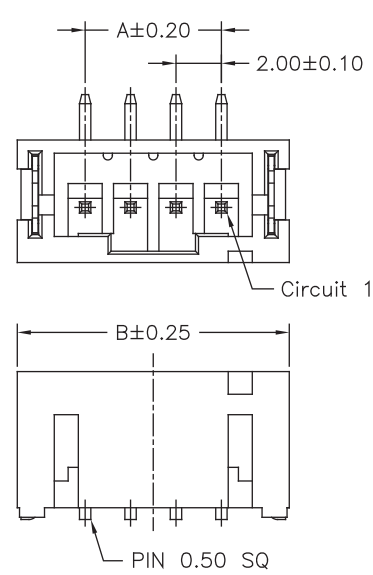
2.0mm Wafer SMT Straight & SMT R/A Type

Specifications

Current Rating: 2A AC,DC
 Voltage Rating: 100V AC,DC
 Temperature Range: -25°C to +85°C
 Contact Resistance: 10mΩ Max
 Insulation Resistance: 1000MΩ Min
 Withstanding Voltage: 800V AC/minute
 Terminal: Brass / Gold Plated
 Solder Tabs: Brass / Gold Plated
 Material:Nylon 6T,UL94V-0



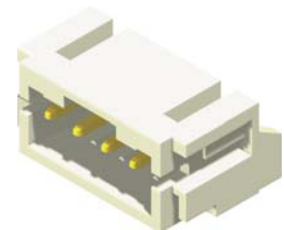
Part No.	Dimensions	
	A	B
2001MS-02GW-U	2.00	8.00
2001MS-03GW-U	4.00	10.00
2001MS-04GW-U	6.00	12.00
2001MS-05GW-U	8.00	14.00
2001MS-06GW-U	10.00	16.00
2001MS-07GW-U	12.00	18.00
2001MS-08GW-U	14.00	20.00
2001MS-09GW-U	16.00	22.00
2001MS-10GW-U	18.00	24.00
2001MS-11GW-U	20.00	26.00
2001MS-12GW-U	22.00	28.00
2001MS-13GW-U	24.00	30.00
2001MS-14GW-U	26.00	32.00
2001MS-15GW-U	28.00	34.00
2001MS-16GW-U	30.00	36.00



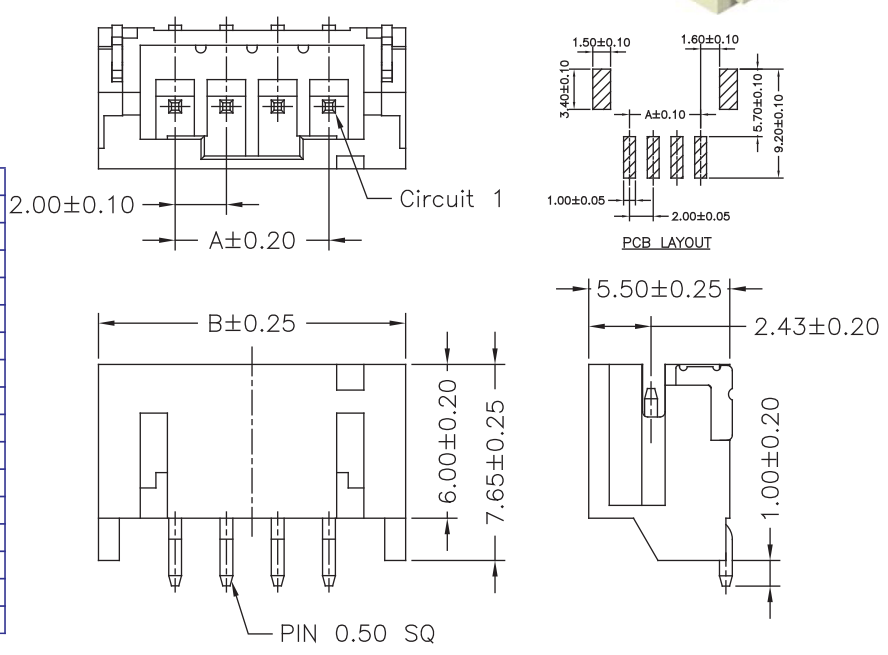
Part No.:2001MS-XXGW-U

Specifications

Current Rating: 2A AC,DC
 Voltage Rating: 100V AC,DC
 Temperature Range: -25°C to +85°C
 Contact Resistance: 10mΩ Max
 Insulation Resistance: 1000MΩ Min
 Withstanding Voltage: 800V AC/minute
 Terminal: Brass / Gold Plated
 Solder Tabs: Brass / Gold Plated
 Material:Nylon 6T,UL94V-0



Part No.	Dimensions	
	A	B
2001MR-02GW-U	2.00	8.00
2001MR-03GW-U	4.00	10.00
2001MR-04GW-U	6.00	12.00
2001MR-05GW-U	8.00	14.00
2001MR-06GW-U	10.00	16.00
2001MR-07GW-U	12.00	18.00
2001MR-08GW-U	14.00	20.00
2001MR-09GW-U	16.00	22.00
2001MR-10GW-U	18.00	24.00
2001MR-11GW-U	20.00	26.00
2001MR-12GW-U	22.00	28.00
2001MR-13GW-U	24.00	30.00
2001MR-14GW-U	26.00	32.00
2001MR-15GW-U	28.00	34.00
2001MR-16GW-U	30.00	36.00



Part No.:2001MR-XXGW-U

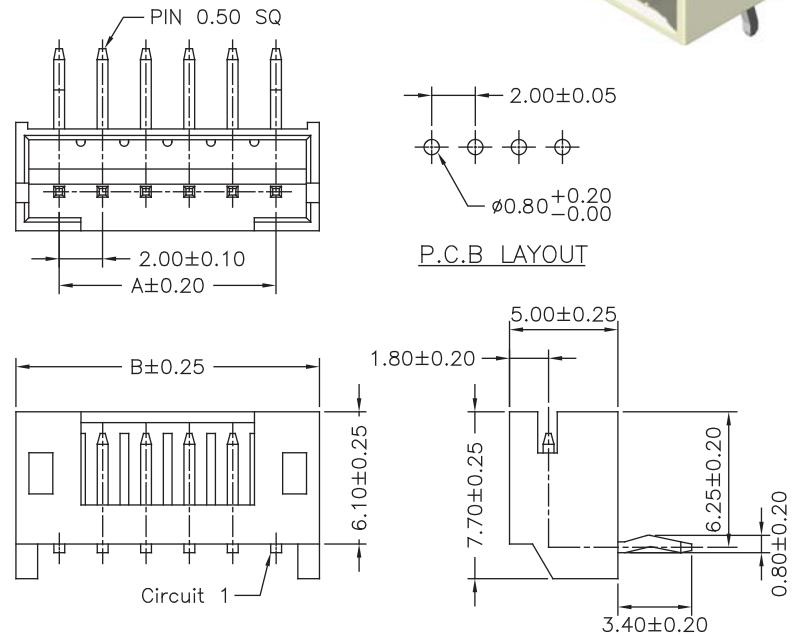


2.0mm Wafer Right Angle / Straight Type

Specifications

Current Rating: 2A AC,DC
 Voltage Rating: 100V AC,DC
 Temperature Range: -25°C to +85°C
 Contact Resistance: 10mΩ Max
 Insulation Resistance: 1000MΩ Min
 Withstanding Voltage: 800V AC/minute
 Terminal: Brass / Tin Plated
 Material:Nylon 66,UL94V-0

Part No.	Dimensions	
	A	B
2001R-02TW-L	2.00	6.00
2001R-03TW-L	4.00	8.00
2001R-04TW-L	6.00	10.00
2001R-05TW-L	8.00	12.00
2001R-06TW-L	10.00	14.00
2001R-07TW-L	12.00	16.00
2001R-08TW-L	14.00	18.00
2001R-09TW-L	16.00	20.00
2001R-10TW-L	18.00	22.00
2001R-11TW-L	20.00	24.00
2001R-12TW-L	22.00	26.00
2001R-13TW-L	24.00	28.00
2001R-14TW-L	26.00	30.00
2001R-15TW-L	28.00	32.00
2001R-16TW-L	30.00	34.00

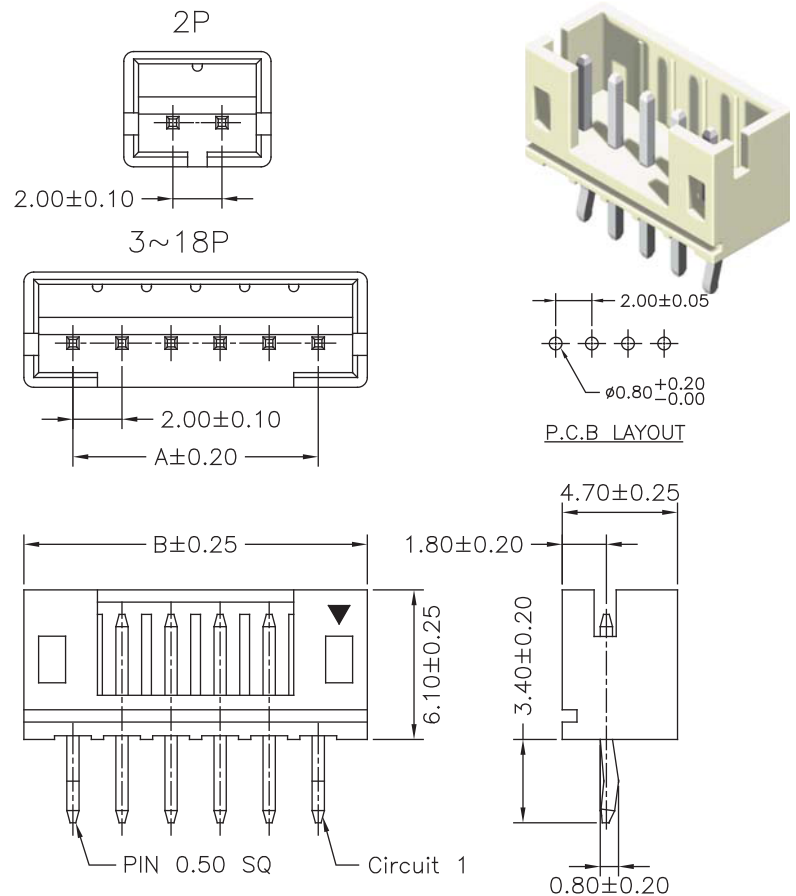


Part No.:2001R-XXTW-L

Specifications

Current Rating: 2A AC,DC
 Voltage Rating: 100V AC,DC
 Temperature Range: -25°C to +85°C
 Contact Resistance: 10mΩ Max
 Insulation Resistance: 1000MΩ Min
 Withstanding Voltage: 800V AC/minute
 Terminal: Brass / Tin Plated
 Material:Nylon 66,UL94V-0

Part No.	Dimensions	
	A	B
2001S-02TW-L	2.00	6.00
2001S-03TW-L	4.00	8.00
2001S-04TW-L	6.00	10.00
2001S-05TW-L	8.00	12.00
2001S-06TW-L	10.00	14.00
2001S-07TW-L	12.00	16.00
2001S-08TW-L	14.00	18.00
2001S-09TW-L	16.00	20.00
2001S-10TW-L	18.00	22.00
2001S-11TW-L	20.00	24.00
2001S-12TW-L	22.00	26.00
2001S-13TW-L	24.00	28.00
2001S-14TW-L	26.00	30.00
2001S-15TW-L	28.00	32.00
2001S-16TW-L	30.00	34.00



Part No.:2001S-XXTW-L