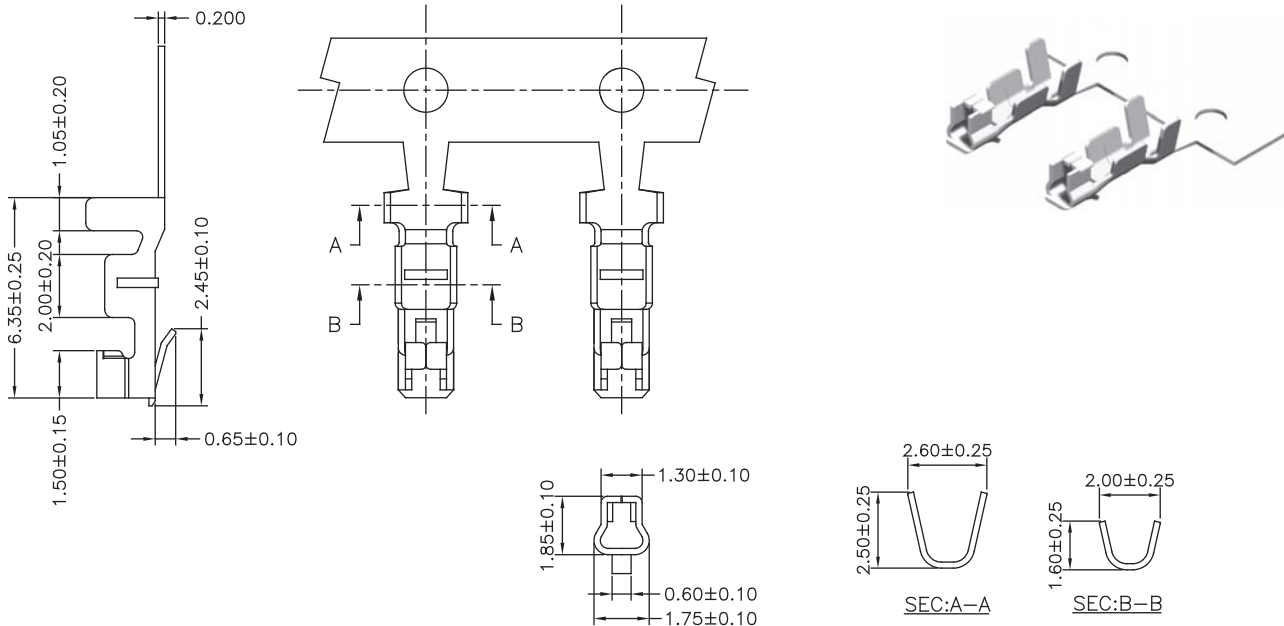




2.5mm Terminal / Housing



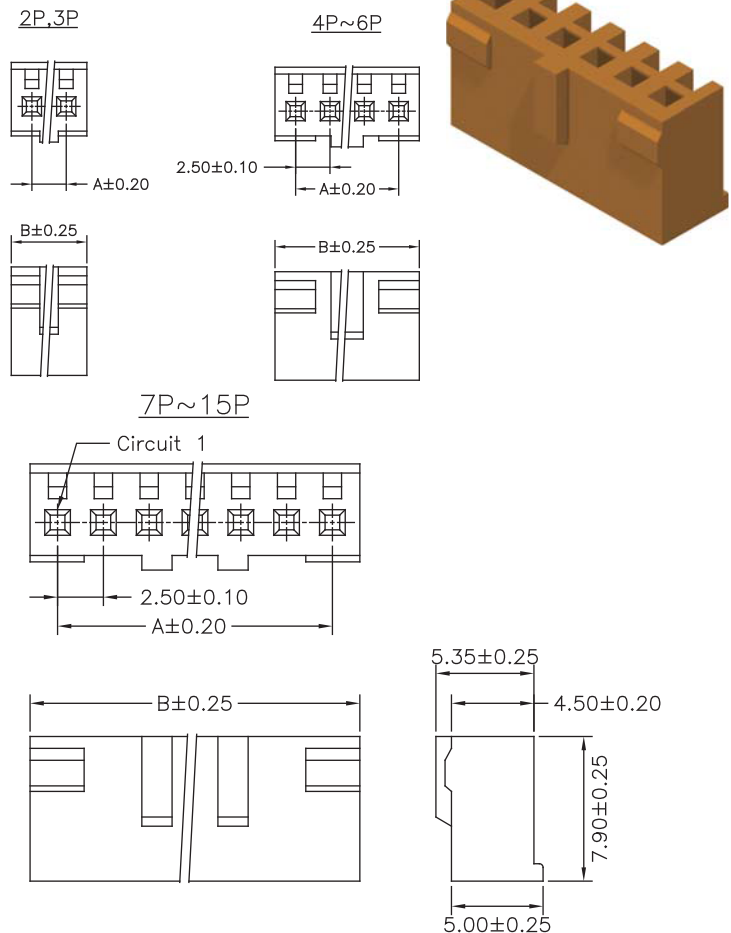
Part No.:2504-T-L

Wire Range	Insulation O.D.	Material	Finish
AWG#22-#28	1.90mm(max)	Phosphor Bronze	Tin Plated

Specifications

Current Rating: 3A AC,DC
 Voltage Rating: 500V AC,DC
 Temperature Range: -25°C to +85°C
 Contact Resistance: 20mΩ Max
 Insulation Resistance: 100MΩ Min
 Withstanding Voltage: 1500V AC/minute
 Material:Nylon 66,UL94V-0

Part No.	Dimensions	
	A	B
2504H-02R-L	2.50	5.50
2504H-03R-L	5.00	8.00
2504H-04R-L	7.50	10.50
2504H-05R-L	10.00	13.00
2504H-06R-L	12.50	15.50
2504H-07R-L	15.00	18.00
2504H-08R-L	17.50	20.50
2504H-09R-L	20.00	23.00
2504H-10R-L	22.50	25.50
2504H-11R-L	25.00	28.00
2504H-12R-L	27.50	30.50
2504H-13R-L	30.00	33.00
2504H-14R-L	32.50	35.50
2504H-15R-L	35.00	38.00



Part No.:2504H-XXR-L

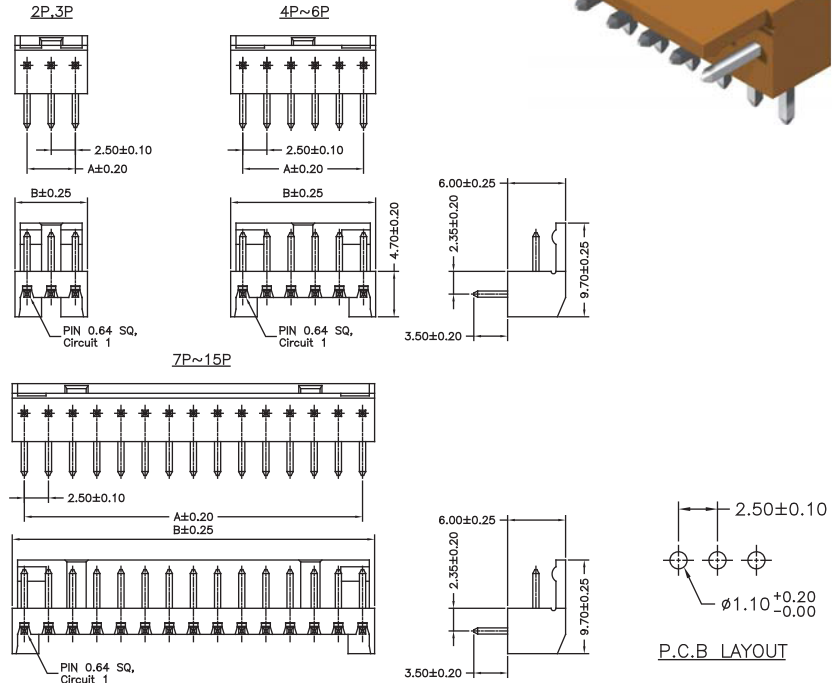


2.5mm Wafer Right Angle / Straight Type

Specifications

Current Rating: 3A AC,DC
 Voltage Rating: 500V AC,DC
 Temperature Range: -25°C to +85°C
 Contact Resistance: 20mΩ Max
 Insulation Resistance: 100MΩ Min
 Withstanding Voltage: 1500V AC/minute
 Terminal: Brass / Tin Plated
 Material: Nylon 66,UL94V-0

Part No.	Dimensions	
	A	B
2504R-02TR-L	2.50	5.00
2504R-03TR-L	5.00	7.50
2504R-04TR-L	7.50	10.00
2504R-05TR-L	10.00	12.50
2504R-06TR-L	12.50	15.00
2504R-07TR-L	15.00	17.50
2504R-08TR-L	17.50	20.00
2504R-09TR-L	20.00	22.50
2504R-10TR-L	22.50	25.00
2504R-11TR-L	25.00	27.50
2504R-12TR-L	27.50	30.00
2504R-13TR-L	30.00	32.50
2504R-14TR-L	32.50	35.00
2504R-15TR-L	35.00	37.50

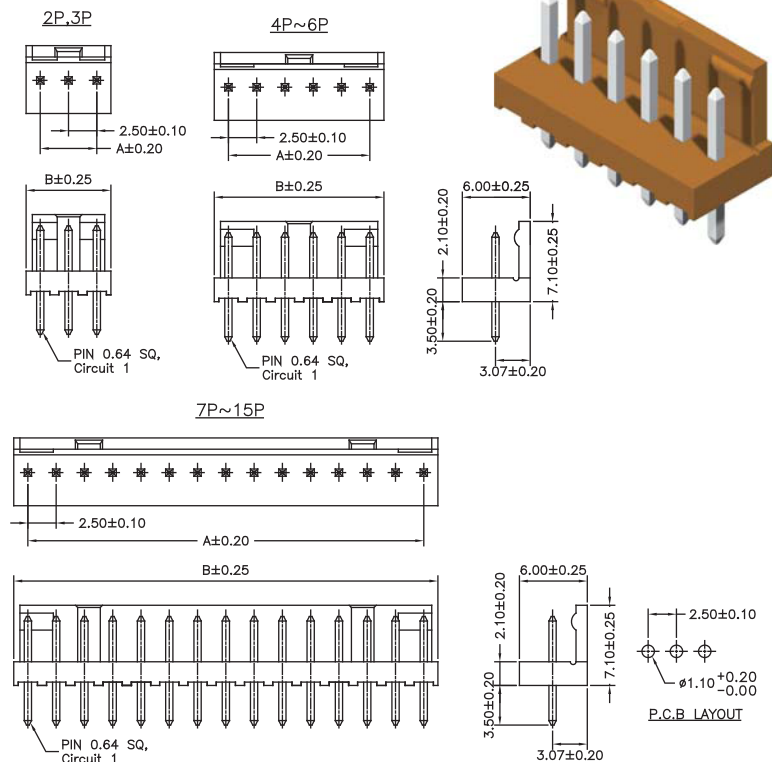


Part No.:2504R-XXTR-L

Specifications

Current Rating: 3A AC,DC
 Voltage Rating: 500V AC,DC
 Temperature Range: -25°C to +85°C
 Contact Resistance: 20mΩ Max
 Insulation Resistance: 100MΩ Min
 Withstanding Voltage: 1500V AC/minute
 Terminal: Brass / Tin Plated
 Material: Nylon 66,UL94V-0

Part No.	Dimensions	
	A	B
2504S-02TR-L	2.50	5.00
2504S-03TR-L	5.00	7.50
2504S-04TR-L	7.50	10.00
2504S-05TR-L	10.00	12.50
2504S-06TR-L	12.50	15.00
2504S-07TR-L	15.00	17.50
2504S-08TR-L	17.50	20.00
2504S-09TR-L	20.00	22.50
2504S-10TR-L	22.50	25.00
2504S-11TR-L	25.00	27.50
2504S-12TR-L	27.50	30.00
2504S-13TR-L	30.00	32.50
2504S-14TR-L	32.50	35.00
2504S-15TR-L	35.00	37.50



Part No.:2504S-XXTR-L