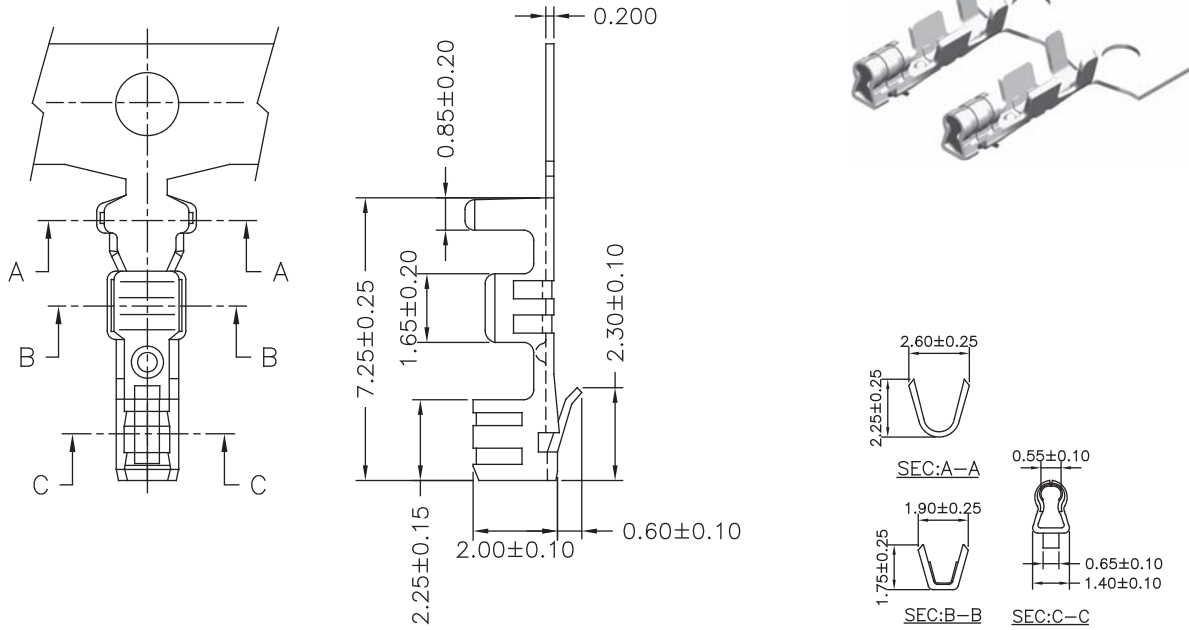




2.5mm Terminal / Housing

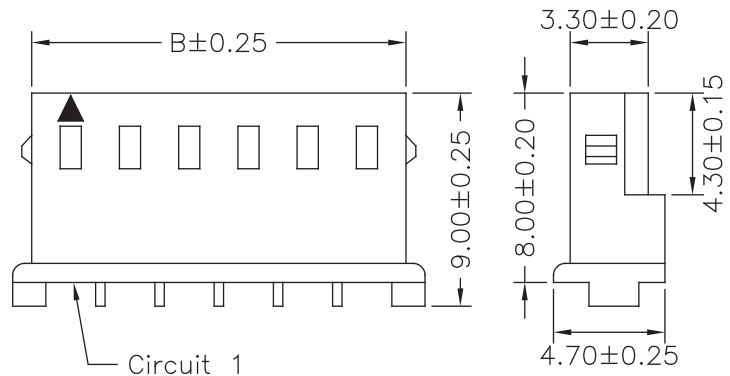
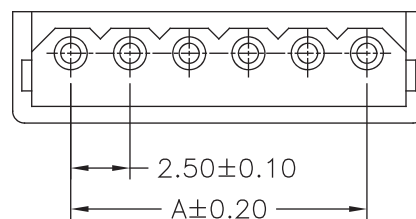
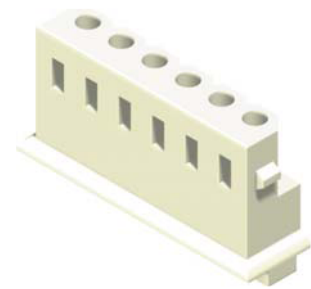


Part No.:2506-T-L

Wire Range	Insulation O.D.	Material	Finish
AWG#22-#28	1.90mm(max)	Phosphor Bronze	Tin Plated

Specifications

Current Rating: 3A AC,DC
 Voltage Rating: 250V AC,DC
 Temperature Range: -25°C to +85°C
 Contact Resistance: 20mΩ Max
 Insulation Resistance: 1000MΩ Min
 Withstanding Voltage: 1000V AC/minute
 Terminal: Brass / Tin Plated
 Material: Nylon 66,UL94V-0



Part No.:2506H-XXW-L

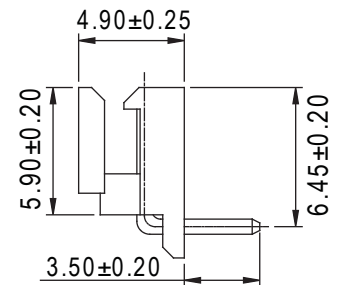
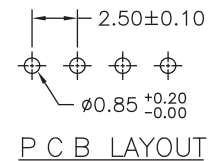
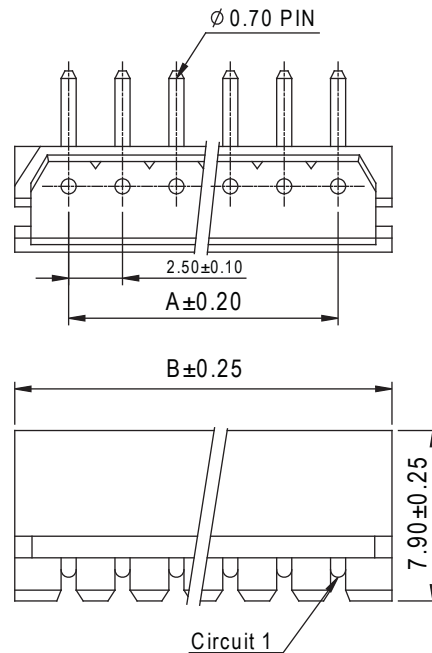


2.5mm Wafer Right Angle / Straight Type

Specifications

Current Rating: 3A AC,DC
 Voltage Rating: 250V AC,DC
 Temperature Range: -25°C to +85°C
 Contact Resistance: 10mΩ Max
 Insulation Resistance: 1000MΩ Min
 Withstanding Voltage: 1000V AC/minute
 Terminal: Brass / Tin Plated
 Material: Nylon 66,UL94V-0

Part No.	Dimensions	
	A	B
2506R-02TW-L	2.50	7.50
2506R-03TW-L	5.00	10.00
2506R-04TW-L	7.50	12.50
2506R-05TW-L	10.00	15.00
2506R-06TW-L	12.50	17.50
2506R-07TW-L	15.00	20.00
2506R-08TW-L	17.50	22.50
2506R-09TW-L	20.00	25.00
2506R-10TW-L	22.50	27.50
2506R-11TW-L	25.00	30.00
2506R-12TW-L	27.50	32.50
2506R-13TW-L	30.00	35.00
2506R-14TW-L	32.50	37.50
2506R-15TW-L	35.00	40.00
2506R-16TW-L	37.50	42.50

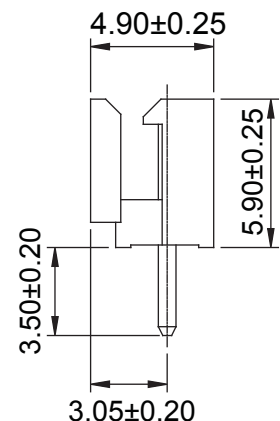
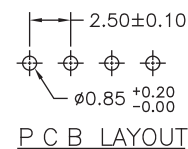
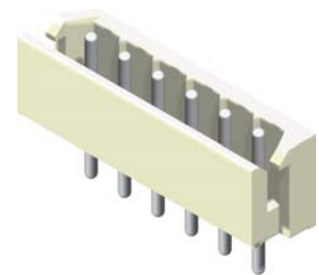
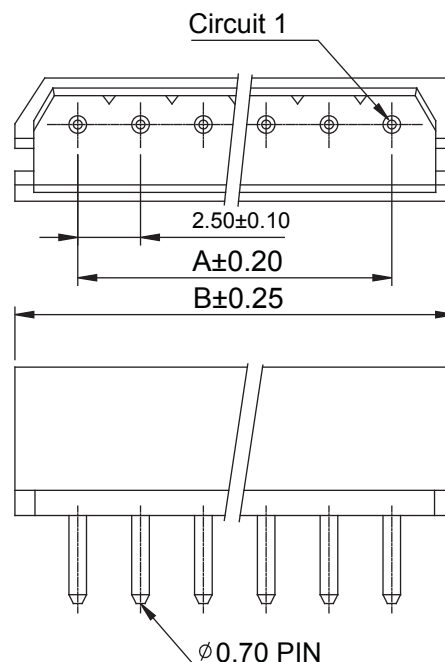


Part No.:2506R-XXTW-L

Specifications

Current Rating: 3A AC,DC
 Voltage Rating: 250V AC,DC
 Temperature Range: -25°C to +85°C
 Contact Resistance: 10mΩ Max
 Insulation Resistance: 1000MΩ Min
 Withstanding Voltage: 1000V AC/minute
 Terminal: Brass / Tin Plated
 Material: Nylon 66,UL94V-0

Part No.	Dimensions	
	A	B
2506S-02TW-L	2.50	7.50
2506S-03TW-L	5.00	10.00
2506S-04TW-L	7.50	12.50
2506S-05TW-L	10.00	15.00
2506S-06TW-L	12.50	17.50
2506S-07TW-L	15.00	20.00
2506S-08TW-L	17.50	22.50
2506S-09TW-L	20.00	25.00
2506S-10TW-L	22.50	27.50
2506S-11TW-L	25.00	30.00
2506S-12TW-L	27.50	32.50
2506S-13TW-L	30.00	35.00
2506S-14TW-L	32.50	37.50
2506S-15TW-L	35.00	40.00
2506S-16TW-L	37.50	42.50



Part No.:2506S-XXTW-L