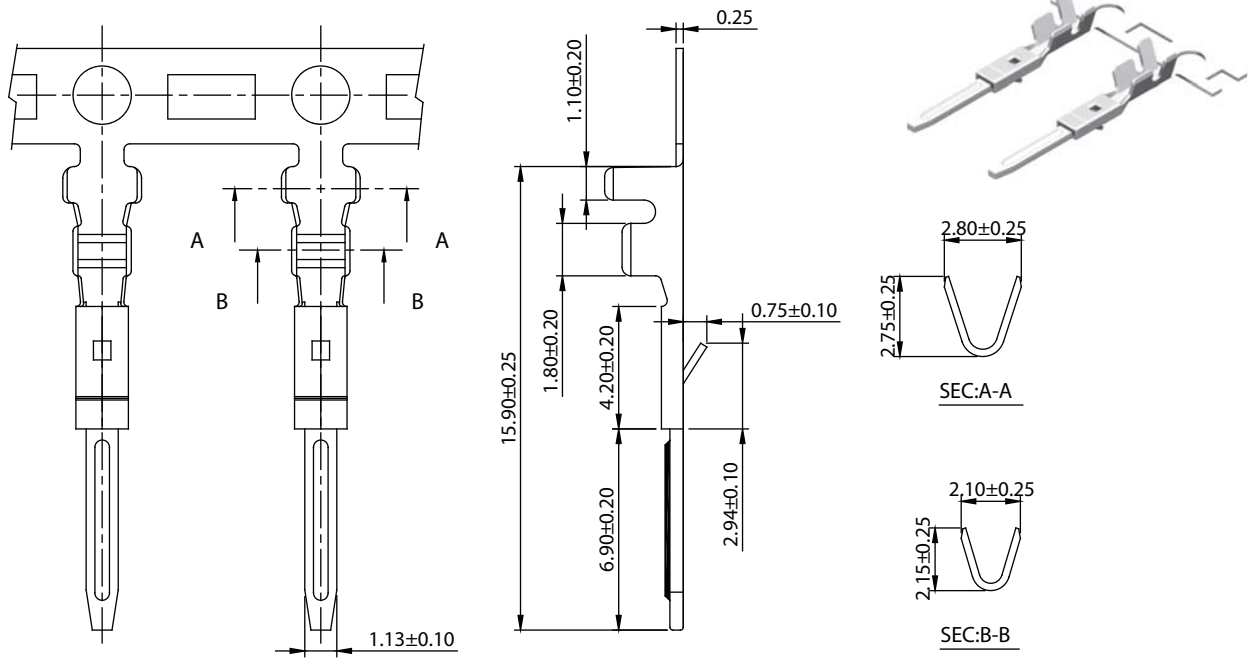




**2.5mm Terminal / Housing**

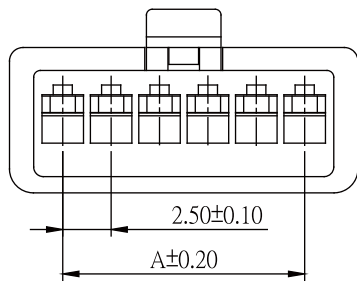


**Part No.:2507-MT-L**

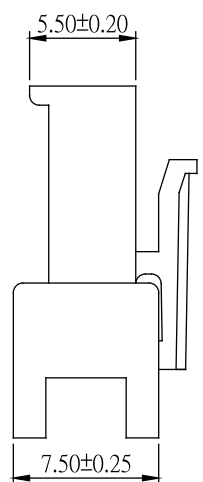
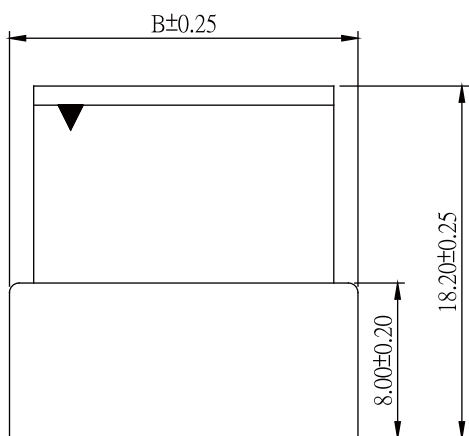
Wire Range	Insulation O.D.	Material	Finish
AWG#22-#28	1.70mm(max)	Brass	Tin Plated

**Specifications**

Current Rating: 3A AC,DC  
 Voltage Rating: 250V AC,DC  
 Temperature Range: -25°C to +85°C  
 Contact Resistance: 10mΩ Max  
 Insulation Resistance: 500M Ω Min  
 Withstanding Voltage: 1500V AC/minute  
 Material: Nylon 66,UL94V-0



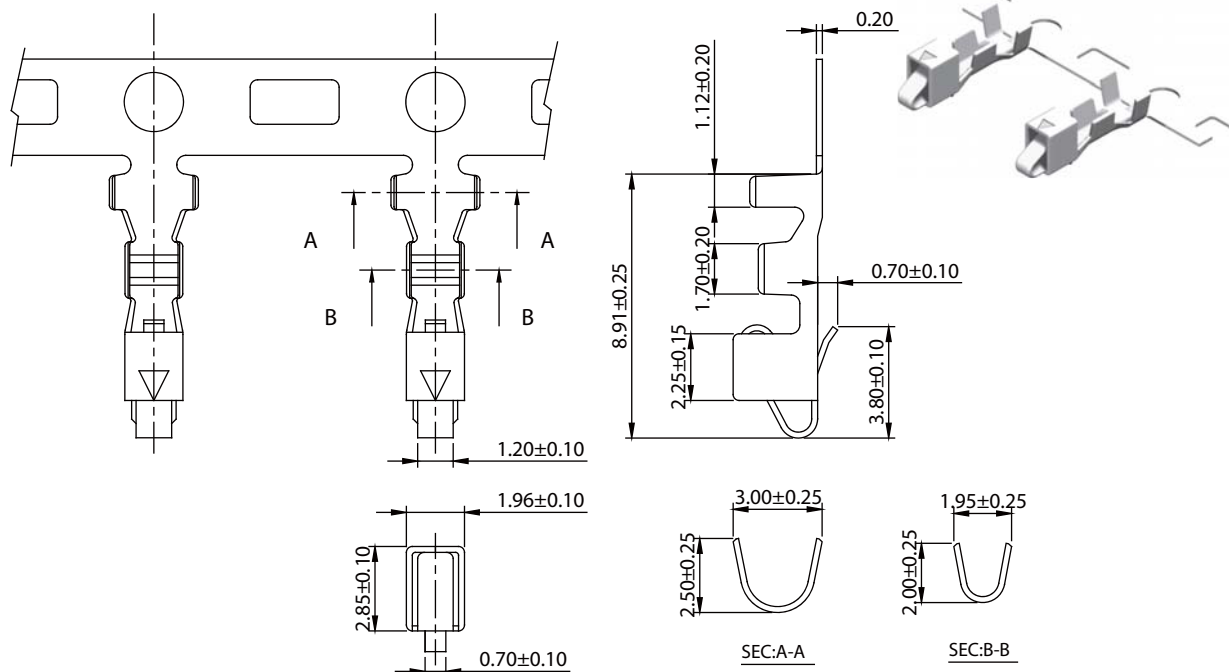
Part No.	Dimensions	
	A	B
2507H-M02B-L	2.50	8.00
2507H-M03B-L	5.00	10.50
2507H-M04B-L	7.50	13.00
2507H-M05B-L	10.00	15.50
2507H-M06B-L	12.50	18.00
2507H-M07B-L	15.00	20.50
2507H-M08B-L	17.50	23.00
2507H-M09B-L	20.00	25.50
2507H-M10B-L	22.50	28.00
2507H-M11B-L	25.00	30.50
2507H-M12B-L	27.50	33.00



**Part No.:2507H-MXXB-L**



**2.5mm Wafer Right Angle / Straight Type**

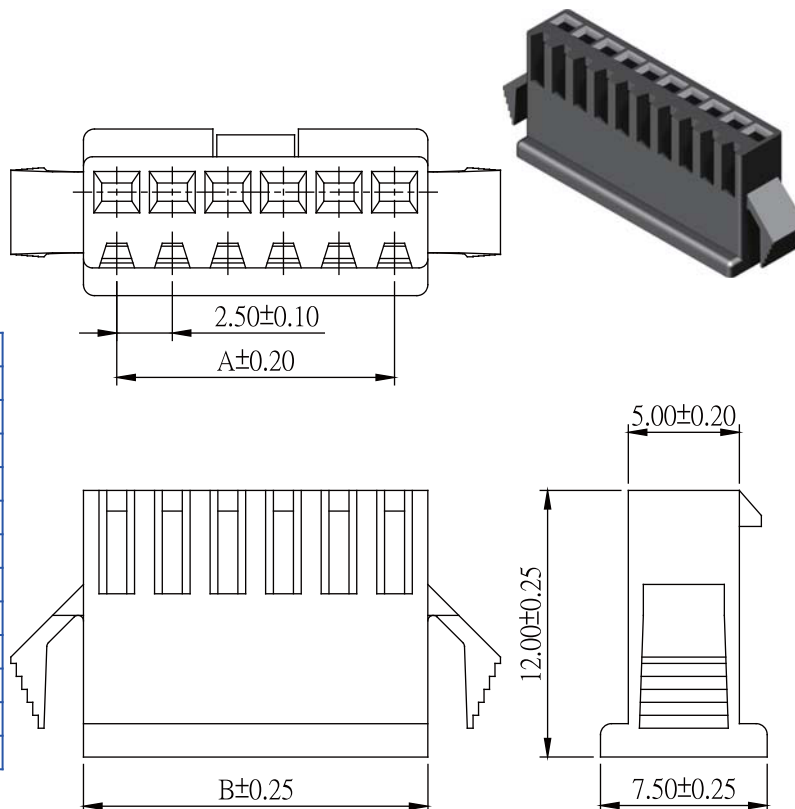


**Part No.:2507-FT-L**

Wire Range	Insulation O. D.	Material	Finish
AWG#22-#28	1.80mm(max)	Brass	Tin Plated

**Specifications**

Current Rating: 3A AC,DC  
 Voltage Rating: 250V AC,DC  
 Temperature Range: -25°C to +85°C  
 Contact Resistance: 10mΩ Max  
 Insulation Resistance: 500M Ω Min  
 Withstanding Voltage: 1500V AC/minute  
 Material: Nylon 66,UL94V-0



Part No.	Dimensions	
	A	B
2507H-F02B-L	2.50	5.50
2507H-F03B-L	5.00	8.00
2507H-F04B-L	7.50	10.50
2507H-F05B-L	10.00	13.00
2507H-F06B-L	12.50	15.50
2507H-F07B-L	15.00	18.00
2507H-F08B-L	17.50	20.50
2507H-F09B-L	20.00	23.00
2507H-F10B-L	22.50	25.50
2507H-F11B-L	25.00	28.00
2507H-F12B-L	27.50	30.50

**Part No.:2507H-FXXB-L**